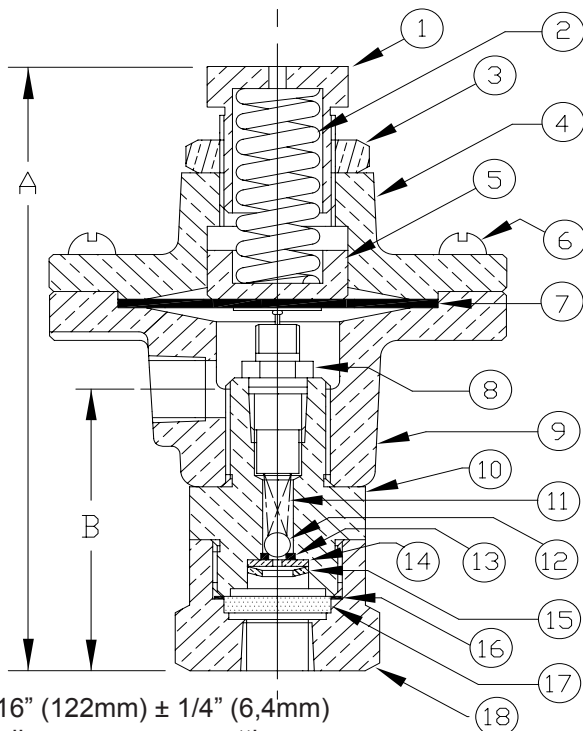




REPLACEMENT PARTS

AIR PRESSURE  
MAINTENANCE DEVICE  
MODEL D-2

Manufactured 1973 -



A = 4-13/16" (122mm) ± 1/4" (6,4mm)  
depending on pressure setting  
B = 2-5/32" (54,8mm)



Schrader Core Tool  
P/N 01715A

ITEM NO.	PART NUMBER	DESCRIPTION	MATERIAL	NO. REQ'D
1	02273A	Adjustment Screw	Brass UNS-C36000	1
2	01791A	Spring	Stainless Steel , UNS-S30200	1
3	02275A	Lock Nut	Brass, UNS-C36000	1
4	--	Cover	Brass, UNS-C84400	1
5	02276A	Spring Retainer	Brass, UNS-C36000	1
6	04505A	Screw, R.H.P.D. #10-24 x 5/8 Lg.,	Stainless Steel: UNS-S30200	6
7	01792A	Diaphragm Assembly	Neoprene, ASTM D2000	1
8	06418A	Schrader Valve Assembly	Brass, UNS-C26000, Brass, UNS-C36000, Stainless Steel, UNS-30200	1
9	--	Body	Brass, UNS-C84400	1
10	06425B	Valve Housing	Brass, UNS-C36000	1
11	02509A	Spring	Stainless Steel, UNS-S30200	1
12	01803A	Ball	Stainless Steel, UNS-S30200	1
13	01802A	O-Ring	Nitrile, (Buna-N)	1
14	01801A	Retainer Plate	Brass, UNS-C26000	1
15	01307A	Retainer, Orifice Plate	Brass, UNS-C26000	1
16	02181A	Filter Seal	Copper, UNS-C11000	1
17	02257A	Filter	Sintered Bronze	1
18	02271B	Filter Cap	Brass, UNS-C36000	1

-- Indicates replacement part not available

SUB-ASSEMBLY

6-8, 10-17	12504	Repair Kit		
------------	-------	------------	--	--