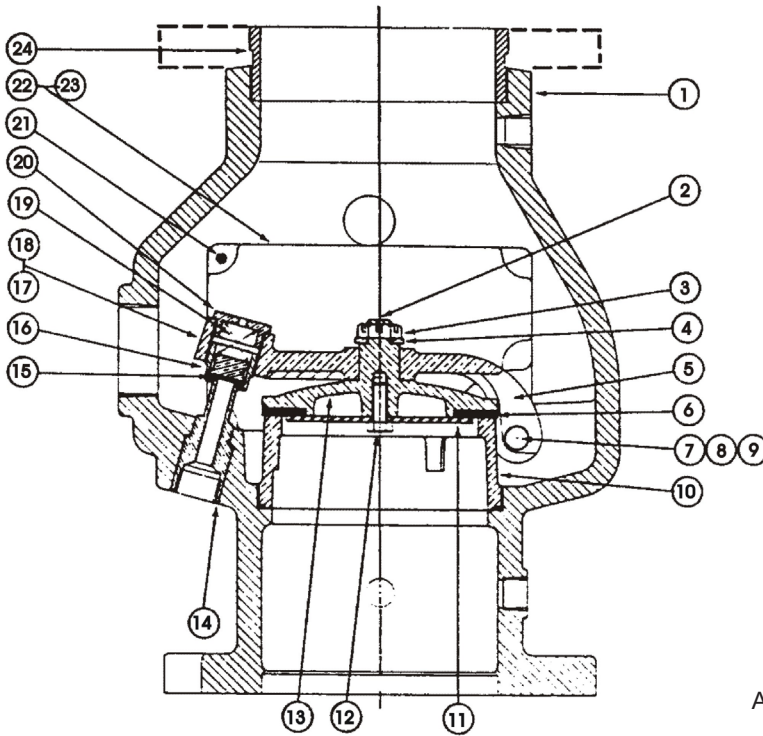




REPLACEMENT PARTS

ALARM CHECK VALVE
MODEL F-1 & G-1



Auxiliary Valve Setting Tool
P/N 02039B

Manufactured		
	F-1	G-1
2-1/2"	1975 - 1988	1982 - 1988
4"	1973 - 1989	1982 - 1986
6"	1971 - 1989	1982 - 1986
8"	1978 - 1989	1982 - 1988

Valve Take Out		
F-1		
2-1/2"	12-3/8"	(314,3 mm)
4"	16-1/4"	(412,7 mm)
6"	17"	(431,8 mm)
8"	17-9/16"	(496,8 mm)
G-1		
2-1/2"	13-15/16"	(354,0 mm)
4"	16-1/4"	(412,7 mm)
6"	17"	(431,8 mm)
8"	17-9/16"	(496,8 mm)

ITEM NO.	PART NUMBERS				DESCRIPTION	MATERIAL	NO. REQ'D.
	2-1/2" (DN65)	4" (DN100)	6" (DN150)	8" (DN200)			
1	--	--	--	--	Body, Model F-1	Gray Cast Iron	1
1	--	--	--	--	Body, Model G-1	Gray Cast Iron	1
2	--	--	--	--	Cotter Pin	Brass	1
3	--	--	--	--	5/8-11 Slotted Hex Nut	Brass	1
4	--	--	--	--	Washer	Brass	1
5	--	--	--	--	Clapper Arm	Bronze Casting	1
6	*	--	--	--	Clapper Rubber	Neoprene	1
	--	*	*	*	Clapper Rubber	EPDM	1
7	--	--	--	--	Pivot Shaft	Brass	2
8	--	--	--	--	Clapper Arm Shaft	Brass	1
9	--	--	--	--	Bushing	Brass	2
10	--	--	--	--	Seat	Brass	1
11	--	--	--	--	Clamp Plate	Stainless Steel	1
12	--	--	--	--	5/16-18 x 1/2" Lg. Nylok Hex-Head Screw	Stainless Steel	1
	--	--	--	--	5/16-18 x 3/4" Lg. Nylok Hex-Head Screw	Stainless Steel	1
	--	--	--	--	3/8-16 x 1" Lg. Nylok Hex-Head Screw	Stainless Steel	1
	--	--	--	--	1/2-13 x 1" Lg. Nylok Hex-Head Screw	Stainless Steel	1
13	--	--	--	--	Clapper	Bronze Casting	1
14	--	--	--	--	Body Insert	Brass	1
14a	--	--	06358A	--	Auxiliary Seat Kit	Brass & Buna-N	
15	*	*	*	*	Auxiliary Valve Clapper ¹	Brass & EPDM	1
16	*	*	*	*	Auxiliary Valve Sleeve	Brass	1
17	*	*	*	*	Nylon Ball (Not Shown)	Nylon	1
18	*	*	*	*	3/8-16 x 3/8" Lg. Socket Set Screw (Not shown)	Brass	1
19	*	*	*	*	Auxiliary Valve Spring	Brass	1
20	*	*	*	*	Auxiliary Valve Cap	Brass	1
21	--	--	--	--	1/2-13 x 1-3/4 Lg. Hex-Head Cap Screw	Steel	6
	--	--	--	--	1/2-13 x 1-1/2 Lg. Hex-Head Cap Screw	Steel	5
	--	--	--	--	5/8-11 x 1-1/2 Lg. Hex-Head Cap Screw	Steel	6
	--	--	--	--	3/4-10 x 1-3/4 Lg. Hex-Head Cap Screw	Steel	7
22	--	--	--	--	Hand Hole Cover	Ductile	1
23	02757B	02198A	01228A	02302C	Hand Hole Cover Gasket	Rubber Fabric	1
24	--	--	--	--	Grooved Adapter, Model G-1	Ductile Iron	1

--Indicates replacement part not available

* Indicates replacement part only available in a Sub-Assembly, as indicated below.

Sub-Assembly

6, 15-20, 23	12509	13209	13210	13211	Rubber and Auxiliary Valve Kit (includes setting tool)
--------------	-------	-------	-------	-------	--

¹The same Auxiliary Valve Clapper is used on Model B, C, E, F & G Alarm Valves.