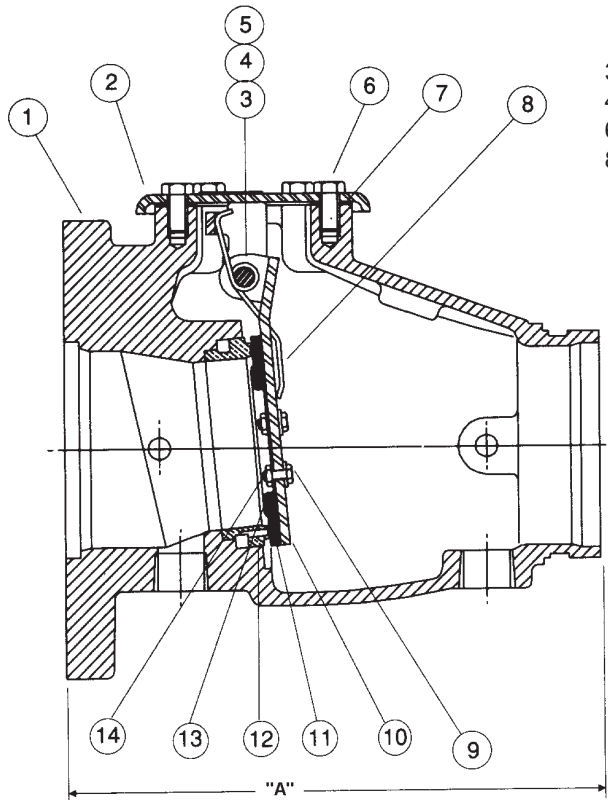




REPLACEMENT PARTS

ALARM CHECK VALVE
MODEL H-1 & H-2

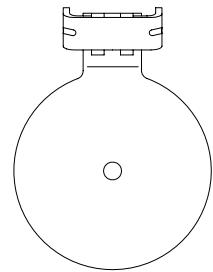
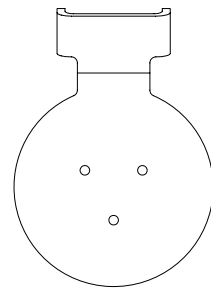


Valve Take Out	
"A" Dimension	
3" (DN75)	- 10-1/8" (257mm)
4" (DN100)	- 10-5/8" (270mm)
6" (DN150)	- 13-3/8" (340mm)
8" (DN200)	- 17" (432mm)

Manufactured

	H-1	H-2
3"	---	1987 - 1998
4"	1986 - 1987	1987 - 1998
6"	1985 - 1987	1985 - 1998
8"	---	1986 - 1998

The "A" Dimension is the same on the H-1 and H-2 Models.



Original Clapper Assembly

Replacement Clapper Assembly

NOTE: The clapper assembly is different than on original valve. New clapper assembly has a single bolt style with Ryton bushings for hinge pin.

ITEM NO.	PART NUMBER				DESCRIPTION	MATERIAL	NO. REQ'D			
	3" (DN80)	4" (DN100)	6" (DN150)	8" (DN200)			3"	4"	6"	8"
1	--	--	--	--	Body	Cast Ductile Iron	1	1	1	1
2	--	--	--	--	Cover Assembly w/Data Plate	HSLA Stl./St.	1	1	1	1
3	05355A	04900A	04991A	05334A	Hinge Pin	Stainless Steel	1	1	1	1
4	05445A	05445A	05445A	05369A	Retaining Ring	Stainless Steel	2	2	2	2
5	--	--	--	--	Hinge Pin Washer	Stainless Steel		2	2	
6	01517A	01517A			3/8-16 x 3/4 Lg. Hex Head Cap Screw	Zinc Plated Steel	4	6		
			04993A		1/2-13 x 7/8 Lg. Hex Head Cap Screw	Zinc Plated Steel			6	
				01922A	5/8-11 x 1-1/4 Lg. Hex Head Cap Screw	Zinc Plated Steel				6
7	05354B	04649B	04992B	05339C	Cover Gasket	SBR Rubber	1	1	1	1
8	06021B	05939B	05940B	05952B	Torsion Spring	Stainless Steel	1	1	1	1
9	*	*			Sealing Washer 3/8" x 1" O.D.	EPDM & Stainless Steel	1	1		
			*	*	Sealing Washer 1/2" x 1-1/8" O.D.	EPDM & Stainless Steel			1	1
	*	*			Screw, Button Head, Socket, 3/8"-24 UNF x 1/2" (12.7 mm) lg.	Stainless Steel, UNS-S30400	1	1		
			*		Screw, Button Head, Socket, 1/4"-20 UNF x 3/4" (19.0 mm) lg.	Stainless Steel, UNS-S30400			1	
10				*	Screw, Button Head, Socket, 1/4"-20 UNF x 7/8" (22.2 mm) lg.	Stainless Steel, UNS-S30400				1
	*	*	*		Clapper	H.R. Steel	1	1	1	
				*	Clapper	Stainless Steel				1
11	*	*	*	*	Clapper Rubber	EPDM/Stl. St.	1	1	1	1
12	--	--	--	--	Seat	Cast Brass	1	1	1	1
13	*	*	*	*	Rubber Retainer	Stainless Steel	1	1	1	1
14	*	*			Clapper Hex Nut 3/8"-16 UNC	Stainless Steel	1	1		
			*	*	Clapper Hex Nut 1/2"-13 UNC	Stainless Steel			1	1

--Indicates replacement part not available

* Indicates replacement part only available in a Sub-Assembly, as indicated below.

SUB-ASSEMBLY

9-11, 13, 14	08518	08519	08520	08521	Clapper Assembly
--------------	-------	-------	-------	-------	------------------

All Model H-2 Valve parts are interchangeable with Model H-1 Alarm Check Valves.

Note: Clapper assembly is single bolt style with Ryton bushings for hinge pin.