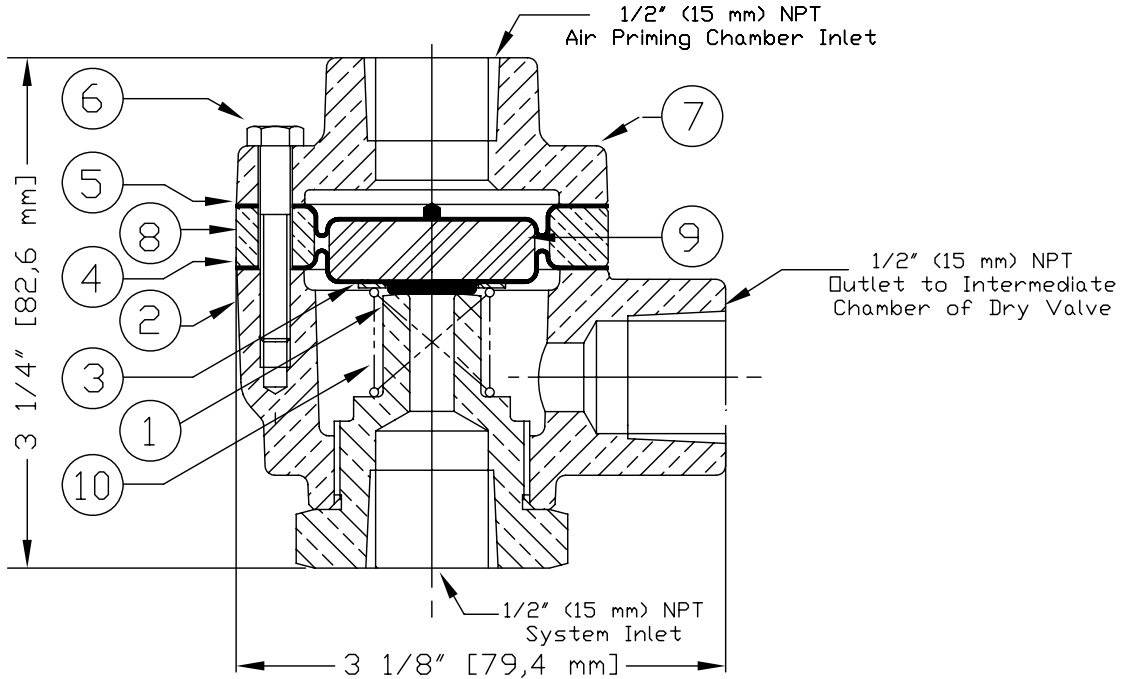




REPLACEMENT PARTS

**ANTI-FLOOD DEVICE
MODEL B-1**

Manufactured 1993 -



ITEM NO.	PART NUMBER	DESCRIPTION	MATERIAL	NO. REQUIRED
1	08062	Seat	Brass UNS-C36000	1
2	--	Body	Brass UNS-C84400	1
3	04739A	Spring Pad	Stainless Steel UNS-S30200/ UNS-S30400	1
4	04861A	Lower Diaphragm	Polyester/EPDM Fabric	1
5	04735A	Upper Diaphragm	Polyester/NBR Fabric	1
6	12470	Screw - M.H.H. #10-24 x 1-1/4" (32 mm)	Steel, Zinc Plated	3
7	--	Cover	Brass: UNS-C84400	1
8	--	Spacer	Brass: UNS-C84400	1
9	04736A	Piston	Polycarbonate	1
10	04741A	Spring	Stainless Steel UNS-S30200	1
-- Indicates replacement part not available				
SUB-ASSEMBLY				
3-6, 9-10	12528	Repair Kit		