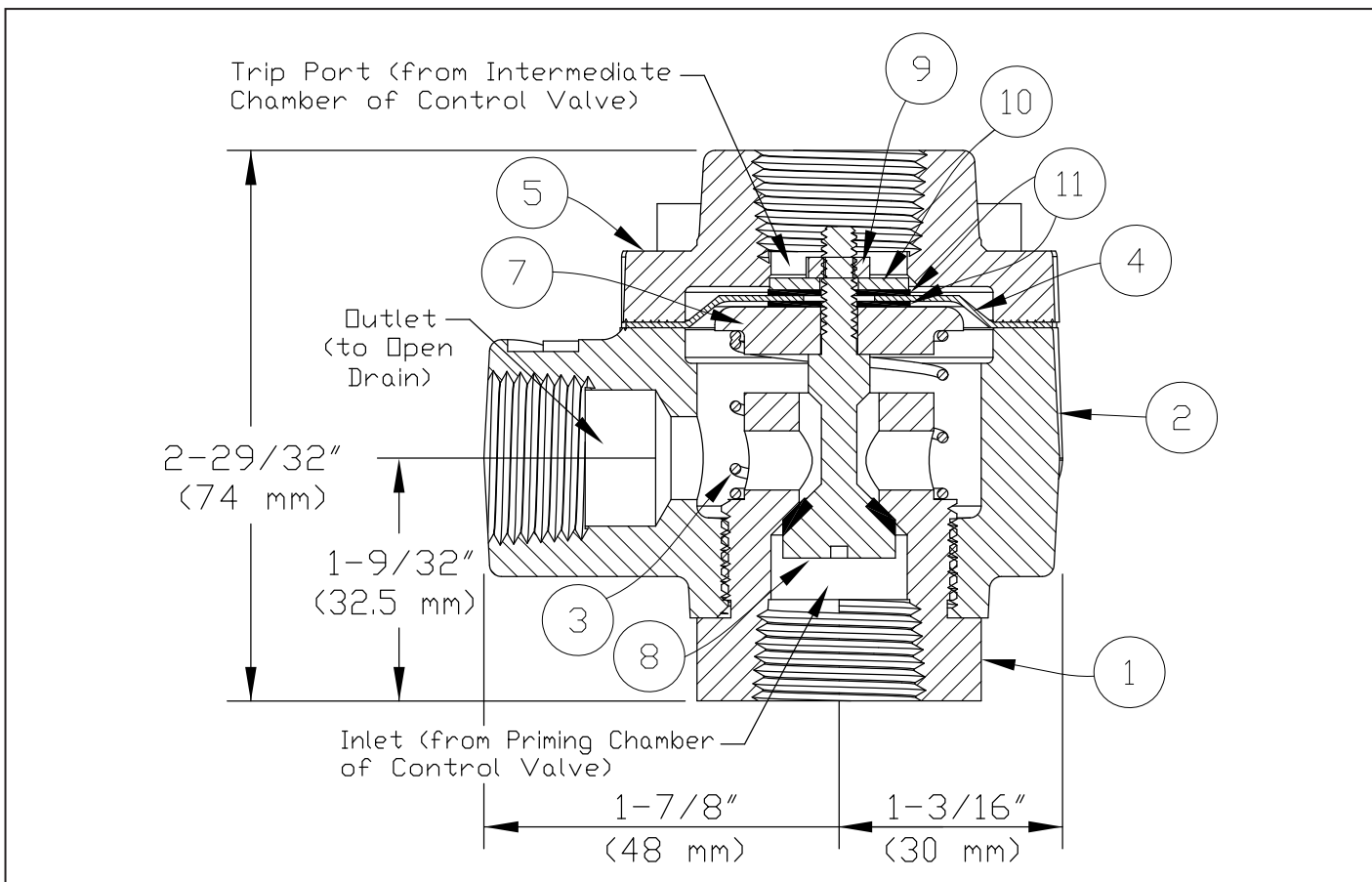




REPLACEMENT PARTS

**PRESSURE OPERATED
RELIEF VALVE (PORV)
MODEL D-3 & D-4**

Manufactured 2011 -



ITEM NO.	PART #		DESCRIPTION	MATERIAL		NO REQD
	D-3	D-4		D-3, STANDARD BRASS	D-4, CORROSION RESISTANT	
1	--	--	Seat	Brass, UNS-C36000	Brass, UNS-C36000, Electroless Nickel Plated	1
2	--	--	Body	Brass, UNS-C84400	Brass, UNS-C84400, Electroless Nickel Plated	1
3	13592	13592	Spring	Stainless Steel, UNS - S30200	Stainless Steel, UNS-S30200	1
4	16142	16142	Diaphragm	Polyester & EPDM	Polyester & EPDM	1
5	--	--	Cover	Brass, UNS-C84400	Brass, UNS-C84400, Electroless Nickel Plated	1
6	16972	16972	Screw, SHC, #-1/4-20 x 1"	Stainless Steel, UNS-S31600	Stainless Steel, UNS - S31600	4
7	13595	13595	Support	10% Glass filled Polycarbonate	10% Glass filled Polycarbonate	1
8	13599	13857	Push Rod	EPDM & Brass, UNS-C36000	EPDM & Stainless Steel, UNS-S31600	1
9	01755A	01755A	Jam Nut, #10-24	Stainless Steel, UNS-S30400	Stainless Steel, UNS-S30400	1
10	13836	13836	Washer, #10	Stainless Steel	Stainless Steel	1
11	16700	16700	Rubber Washer, #10	EPDM, ASTM D2000	EPDM, ASTM D2000	2

-- Indicates replacement part not available

SUB-ASSEMBLY

3, 4, 6-11	16968	16969	Maintenance Kit			
---------------	-------	-------	-----------------	--	--	--