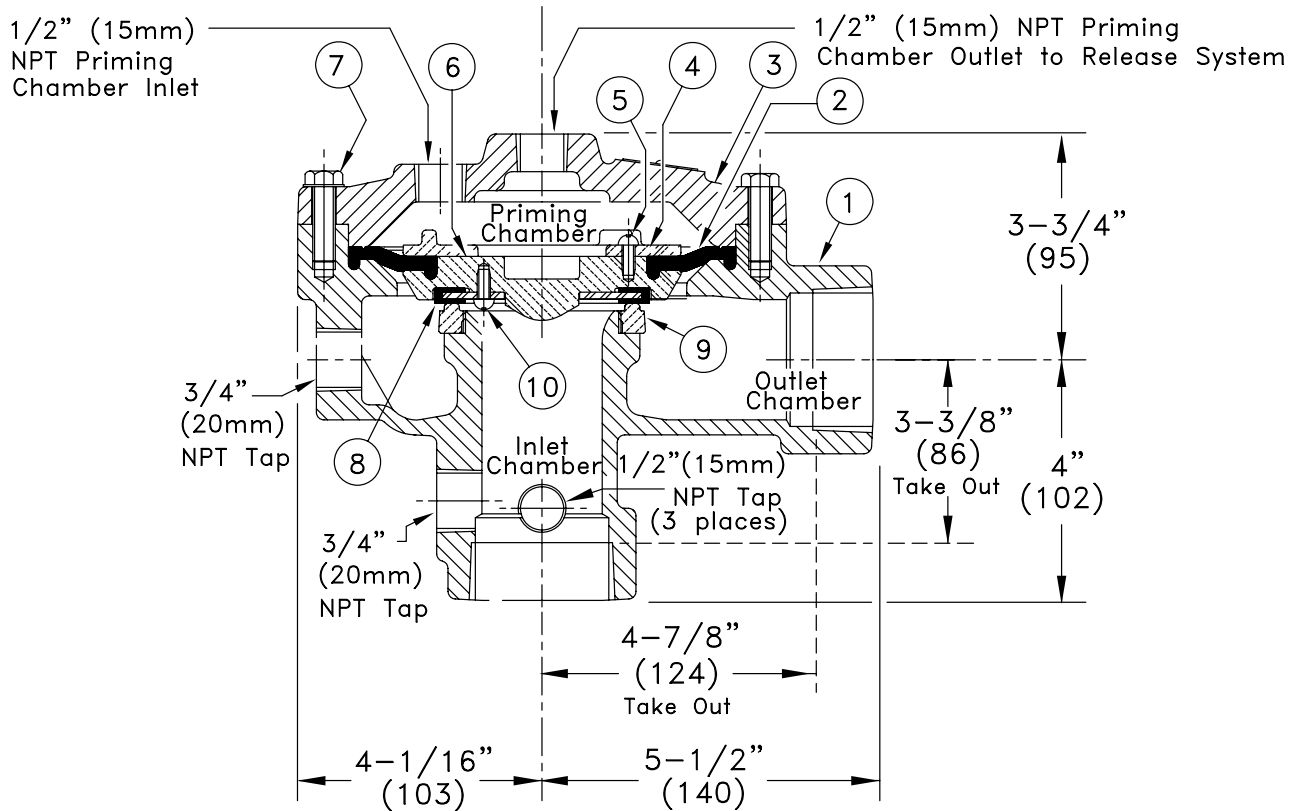




REPLACEMENT PARTS

**DELUGE VALVE
MODEL E-1
2" (DN50)**

Manufactured
175 PSI 1985 - 1999
250 PSI 1999 -



ITEM NO.	PART NUMBER	DESCRIPTION	MATERIAL	NO. REQ'D
1	--	Body	Ductile Iron 65-45-12	1
2	04223B	Diaphragm Rubber	EPDM, ASTM D2000	1
3	--	Cover	Ductile Iron 65-45-12	1
4	04224B	Clamp Ring	Bronze UNS-C84400	1
5	02494A	Screw, R.H. #10-24 x 1/2" lg.	Stainless Steel UNS-S30200	4
6	07046B	Clapper	Bronze UNS-C84400	1
7	05855A	Screw, H.H.C. 3/8-16 x 1-1/8" lg.	Steel	8
8	04225B	Seat Rubber Assembly	EPDM/Stainless Steel UNS-S30400	1
9	--	Seat	Bronze UNS-C84400	1
10	02494A	Screw, R.H. #10-24 x 1/2" lg.	Stainless Steel UNS-S30200	4

--Indicates replacement part not available

SUB-ASSEMBLY

2, 4-8, 10	13395	Clapper Assembly Kit		
------------	-------	----------------------	--	--