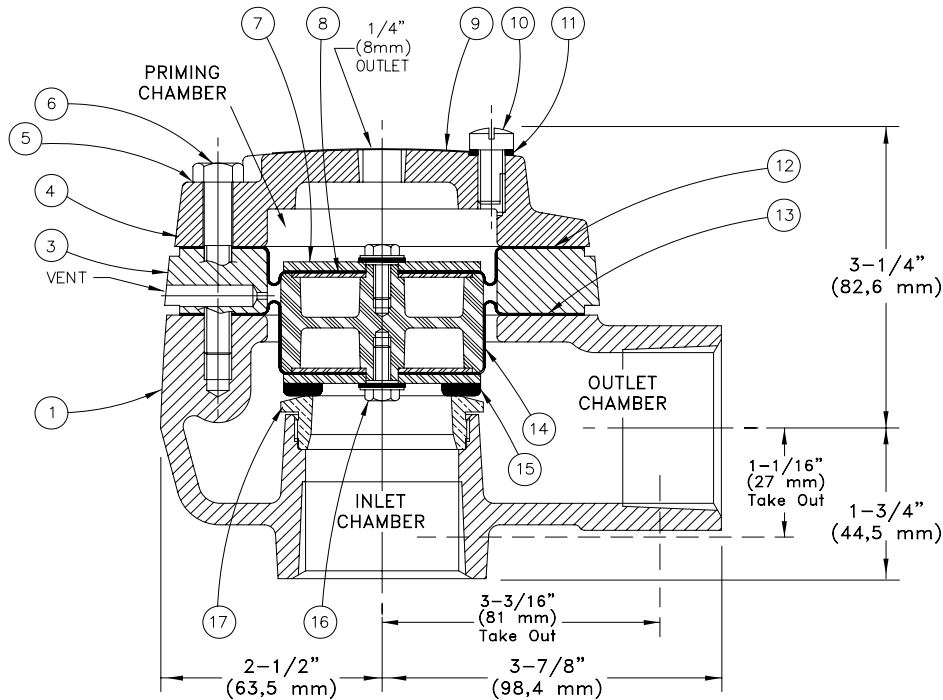




REPLACEMENT PARTS

**DELUGE VALVE HALAR®
COATED MODEL E-4
1-1/2" (DN40)**

Manufactured 1994 - 2012



ITEM NO.	PART NUMBER	DESCRIPTION	MATERIAL	NO. REQ'D
1	--	Body	Ductile Iron 65-45-12, Halar® Coated	1
2	08318	Lithium Grease	Lithium Grease	-
3	--	Spacer	Ductile Iron 65-45-12, Halar® Coated	1
4	--	Cover	Ductile Iron 60-40-18, Halar® Coated	1
5	--	Washer	Stainless Steel	4
6	04838A	HHC Screw 5/16-18 X 2" lg.	Stainless Steel UNS-S30400	4
7	04211A	Clamp Plate	Stainless Steel UNS-S30400, 12 gauge	1
8	04692A	End Plate	Stainless Steel UNS-S30400, 18 gauge	2
9	--	Cover Label	Aluminum	1
10	--	Vent Screw	# 400 Monel	1
11	03915A	Vent Screw Washer	Polypropylene	1
12	04212B	Upper Diaphragm	Polyester Fabric and EPDM Elastomer	1
13	09865	Lower Diaphragm	Polyester Fabric and EPDM Elastomer	1
14	04547B	Piston	Polycarbonate RTP 301	1
15	04928A	Clapper Assembly	Stainless Steel UNS-S30400, 12 g. & EPDM	1
16	06595A	Screw and Sealing Washer Assembly	Stainless Steel UNS-S30400/Neoprene	2
17	--	Seat	Brass UNS-C84400, Electroless Nickel, Tin Plated	1

-- Indicates replacement part not available

SUB-ASSEMBLY LIST

6-8, 12-16	13486	Clapper Assembly Kit
------------	-------	----------------------

Note: Do not damage coating, or complete valve replacement will be required.