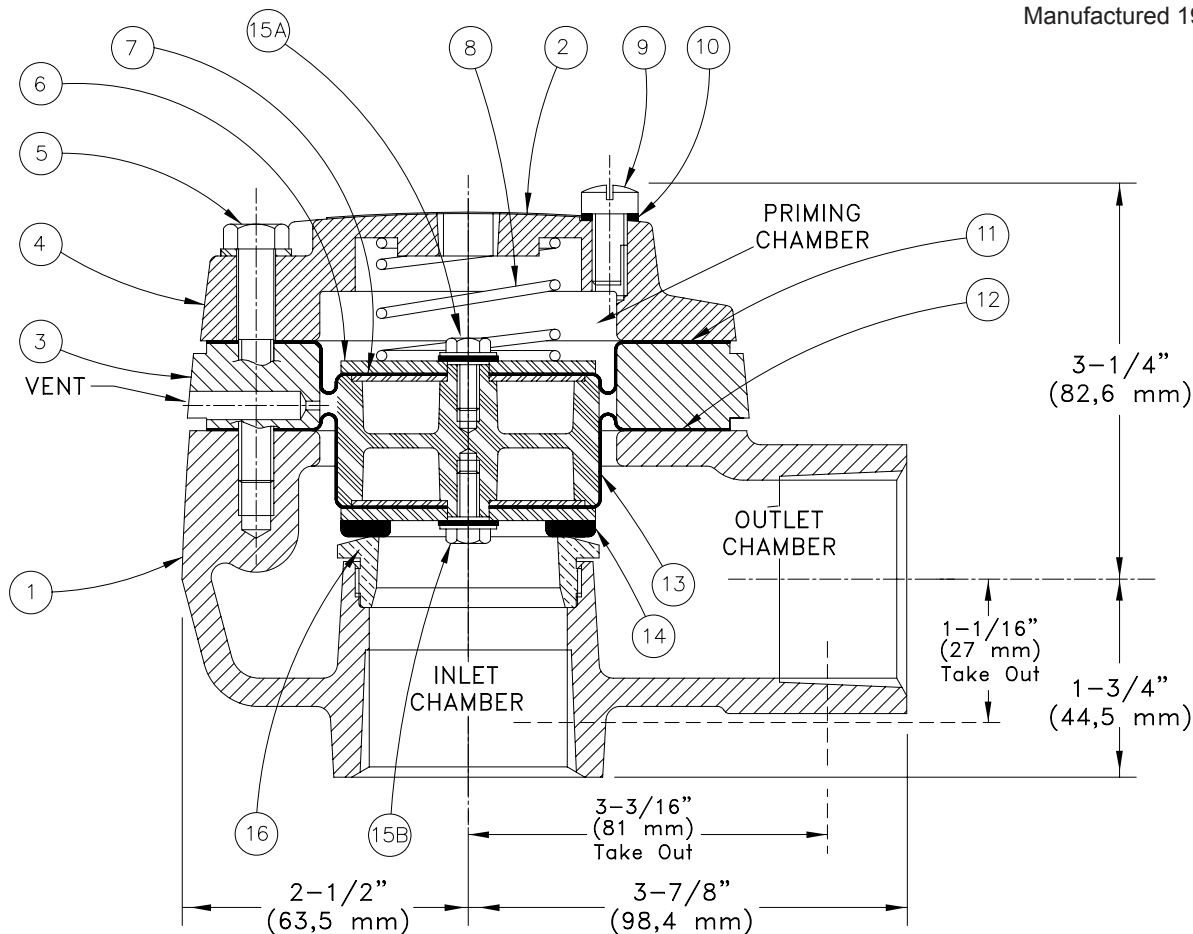




**REPLACEMENT PARTS**

**FLOW CONTROL VALVE  
MODEL H-1  
1-1/2" (DN40)  
MAXIMUM 175 PSI WWP**

Manufactured 1995 - 1997



ITEM NO.	PART NUMBER	DESCRIPTION	MATERIAL	NO. REQ'D
1	--	Body	Ductile Iron 60-40-18	1
2	--	Cover Label	Aluminum	1
3	--	Spacer	Ductile Iron 65-45-12	1
4	--	Cover	Ductile Iron 60-40-18	1
5	04838A	Screw, H.H.C., 5-16-18 X 2" Lg.	Steel	4
6	04211A	Clamp Plate	Stainless Steel UNS-S30400, 12 gauge	1
7	04692A	End Plate	Stainless Steel UNS-S30400, 18 gauge	2
8	09320	Spring	Stainless Steel UNS-S30200	1
9	03914A	Vent Screw	Brass	1
10	03915A	Vent Screw Washer	Polypropylene	1
11	--	Upper Diaphragm	Polyester Fabric and EPDM Elastomer	1
12	--	Lower Diaphragm	Polyester Fabric and EPDM Elastomer	1
13	04547B	Piston	Polycarbonate RTP 301	1
14	04928A	Clapper	Stainless Steel UNS-S30400, 12 gauge & EPDM	1
15A & B	06595A	Screw and Sealing Washer Assembly	Stainless Steel / Neoprene UNS-S30400	2
16	--	Seat	Brass	1

--Indicates replacement part not available