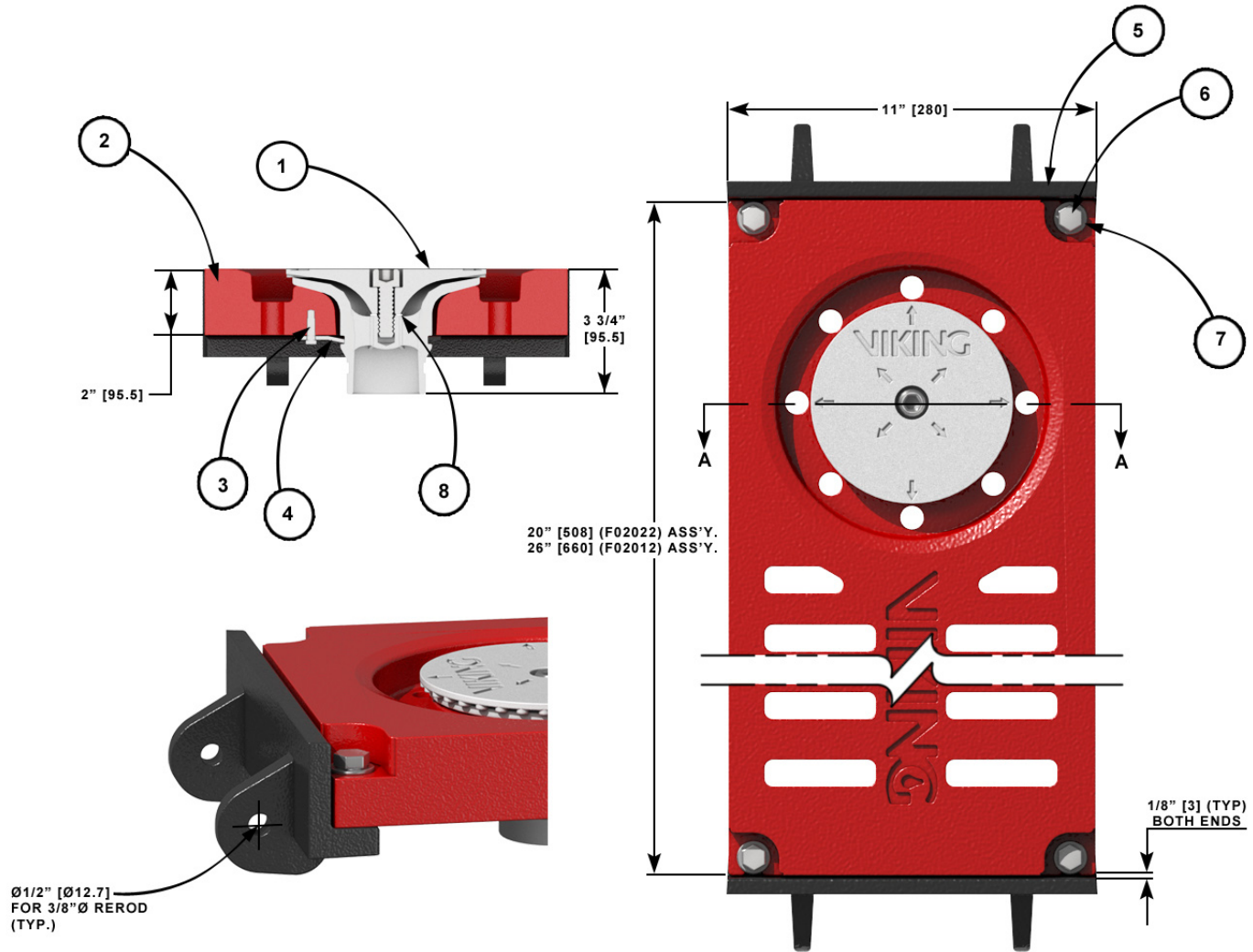




REPLACEMENT PARTS

360° GRATE NOZZLE®

Manufactured 2000 -



ITEM NO.	PART NUMBER		DESCRIPTION	MATERIAL	NO. REQ'D
	F02012	F02022			
1	F02013	F02013	Nozzle Assy	316 Stainless Steel	1
2	F02003/Q08	F02020/Q08	Grate	80-55-06 Ductile Iron	1
3	01761A	01761A	Screw, H.H.C., 1/4-20 x 1/2" Lg.	18-8 Stainless Steel	3
4	F02008	F02008	Spring Clip	316 Stainless Steel	3
5	F02024Q/B	F02024Q/B	"X" Frame Support	Class 35B Cast Iron	2
6	10949	10949	Screw, H.H.C., 3/8-16 x 1-1/2 Lg.	18-8 Stainless Steel	4
7	10951	10951	3/8 Flat Washer	316 Stainless Steel	4
8	F02007	F02007	PTFE Washer	PTFE	2