

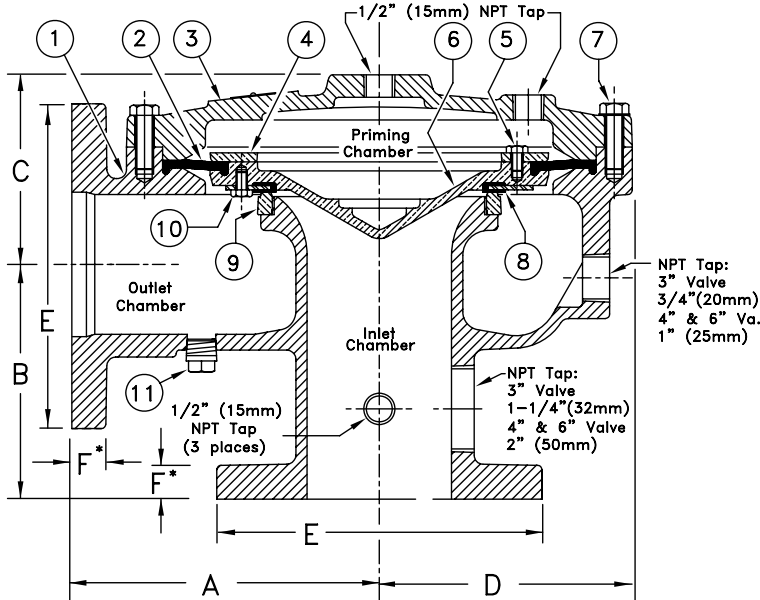


# REPLACEMENT PARTS

## DELUGE VALVE MODEL E-1 3" (DN80), 4" (DN100), 6" (DN150)

175 PSI Manufactured  
3" 1985 - 1999  
4" 1985 - 1999  
6" 1984 - 1999

250 PSI Manufactured  
3" 1999 -  
4" 1999 -  
6" 1999 -



SIZE	A	B	C	D	E	F*
3" (80mm)	7" (178)	5" (127)	4-1/4" (108)	5-3/8" (137)	7-1/2" (190,5)	3/4" (19,05)
4" (100mm)	9" (229)	6-1/2" (165)	5-1/4" (133)	7" (178)	9" (228,6)	15/16" (23,81)
6" (150mm)	12" (305)	8" (203)	7" (178)	9-1/8" (232)	11" (279,4)	1" (25,4)

Dimensions shown in parentheses are mm.  
\*4" & 6" valves are manufactured with sculptured flanges.  
Dimension indicates thickness of flange at bolt holes.

ITEM NO.	PART NUMBER			DESCRIPTION	MATERIAL	NO. REQ'D		
	3" (DN80)	4" (DN100)	6" (DN150)			3" (DN80)	4" (DN100)	6" (DN150)
1	--	--	--	Body	Ductile Iron 60-40-18 or 65-45-12	1	1	1
2	02492C	02377B	01974C	Diaphragm Rubber	EPDM, ASTM D2000	1	1	1
3	--	--	--	Cover	Ductile Iron 65-45-12	1	1	1
4	02493B	02378B	05704B	Clamp Ring	Brass UNS-C84400	1	1	1
5	02494A			Screw, R.H., No. 10-24 x 1/2" (12.7 mm) lg.	Stainless Steel UNS-S30200	6		
		08217		Screw, H.H.C., 5/16" - 18 x 1/2" (12.7 mm) lg.	Monel		8	
			02454A	Screw, H.H.C., 3/8"-16 x 5/8" (15.9 mm) lg.	Stainless Steel UNS-S30200			12
6	08846N	08844N	08570N	Clapper	Ductile Iron 65-45-12 Teflon® Coated	1	1	1
7	02169A			Screw, H.H.C., 1/2"-13 x 1-1/4" (31.8 mm) lg.	Steel	10		
		02200A		Screw, H.H.C., 1/2"-13 x 1-1/2" (38.1 mm) lg.	Steel		12	
			05707A	Screw, H.H.C., 5/8"-11 x 1-3/4" (44.5 mm) lg.	Steel			15
8	02497B	02382B	02176B	Seat Rubber Assembly	EPDM/Stainless Steel UNS-S30400	1	1	1
9	--	--	--	Seat	Brass UNS-C84400	1	1	1
10	02496A			Screw, R.H., 10-24 x 3/8" (9.5 mm) lg.	Stainless Steel	6		
		08217		Screw, H.H.C., 5/16" - 18 x 1/2" (12.7 mm) lg.	Monel		8	
			07932	Screw, H.H.C., 3/8"-16 x 1/2" (12.7 mm) lg.	Stainless Steel			12
11	--	--	--	Plug, 1/2" NPT	Steel	1	1	1

--Indicates replacement part not available

### Sub-Assembly

2, 4-8, 10	13397	13399	13482	Clapper Assembly Kit
------------	-------	-------	-------	----------------------