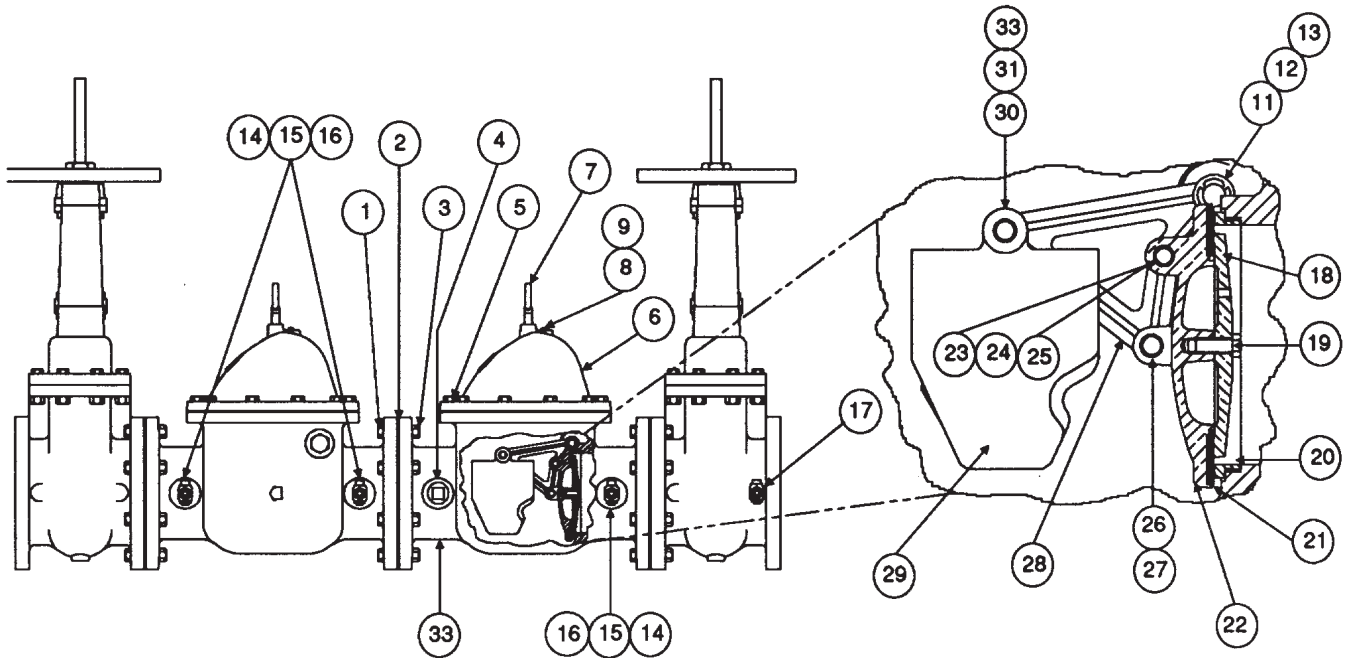




REPLACEMENT PARTS

DOUBLE CHECK BACK-FLOW PREVENTER MODEL A-1

Manufactured 1975 - 1989



ITEM NO.	PART NUMBER				DESCRIPTION	MATERIAL	NO. REQ'D			
	4" (DN100)	6" (DN150)	8" (DN200)	10" (DN250)			4"	6"	8"	10"
1	--	--	--	--	Flange Nut	Steel	8	8	8	12
2	--	--	--	--	Flange Gasket	Red Rubber	1	1	1	1
3	--	--	--	--	Glange Screw	Steel	8	8	8	12
4	--	--	--	--	Pipe Plug	Cast Iron	2	2	2	2
5	--	--	--	--	Screw, H.H.C. 5/8 x 10 x 2" lg.	Steel	8			
		--	--	--	Screw, H.H.C. 3/8 x 10 x 2-1/4" lg.	Steel		10	12	12
6	--	--	--	--	Cover Gasket	Cast Iron	1	1	1	1
7	--	--	--	--	Eyebolt	Steel	1	1	1	1
8	--	--	--	--	Screw, Vent	Brass	1	1	1	1
9	--	--	--	--	Washer	Stainless Steel	1	1	1	1
10	--	--	--	--	Cover Gasket	Reinforced	1	1	1	1
11	--	--	--	--	Pivot Shaft	Brass	2	2	2	2
12	--	--	--	--	Washer	Stainless Steel	2	2	2	2
13	--	--	--	--	Retaining Ring	Steel	2	2	2	2
14	--	--	--	--	Pipe Plug	Cast Iron	2	2	2	2
15	--	--	--	--	Bushing	Cast Iron	2	2	2	2
16	--	--	--	--	Corporation Stop	Brass	4	4	4	4
17	--	--	--	--	Corporation Stop	Brass	4	4	4	4
18	--	--	--	--	Clamp Plate	Cast Bronze	1	1	1	1
19	--	--	--	--	Screw	Stainless Steel and Nylok	1	1	1	1
20	--	--	--	--	Seat	Cast Bronze	1	1	1	1
21	R9002867B	R9002700B	R9002429B	R9002594B	Clapper Rubber	EPDM	1	1	1	1
22	--	--	--	--	Clapper	Cast Bronze	1	1	1	1
23	--	--	--	--	Hinge Pin	Stainless Steel	1	1		1
24	--	--	--	--	Retaining Ring	Stainless Steel	2	2	2	2
25	--	--	--	--	Clapper Pin	Stainless Steel			1	
26	--	--	--	--	Hinge Pin	Stainless Steel	1	1	1	1
27	--	--	--	--	Retaining Ring	Stainless Steel	2	2	2	2
28	--	--	--	--	Clapper Arm	Cast Bronze	2	2	2	2
29	--	--	--	--	Weight	Bronze/Lead	1	1	1	1
30	--	--	--	--	Hinge Pin	Stainless Steel	1	1	1	1
31	--	--	--	--	Retaining Ring	Stainless Steel	2	2	2	2
32	--	--	--	--	Weight Pin	Stainless Steel				1
33	--	--	--	--	Body	Cast Iron	1	1	1	1

-- Indicates replacement part is not available