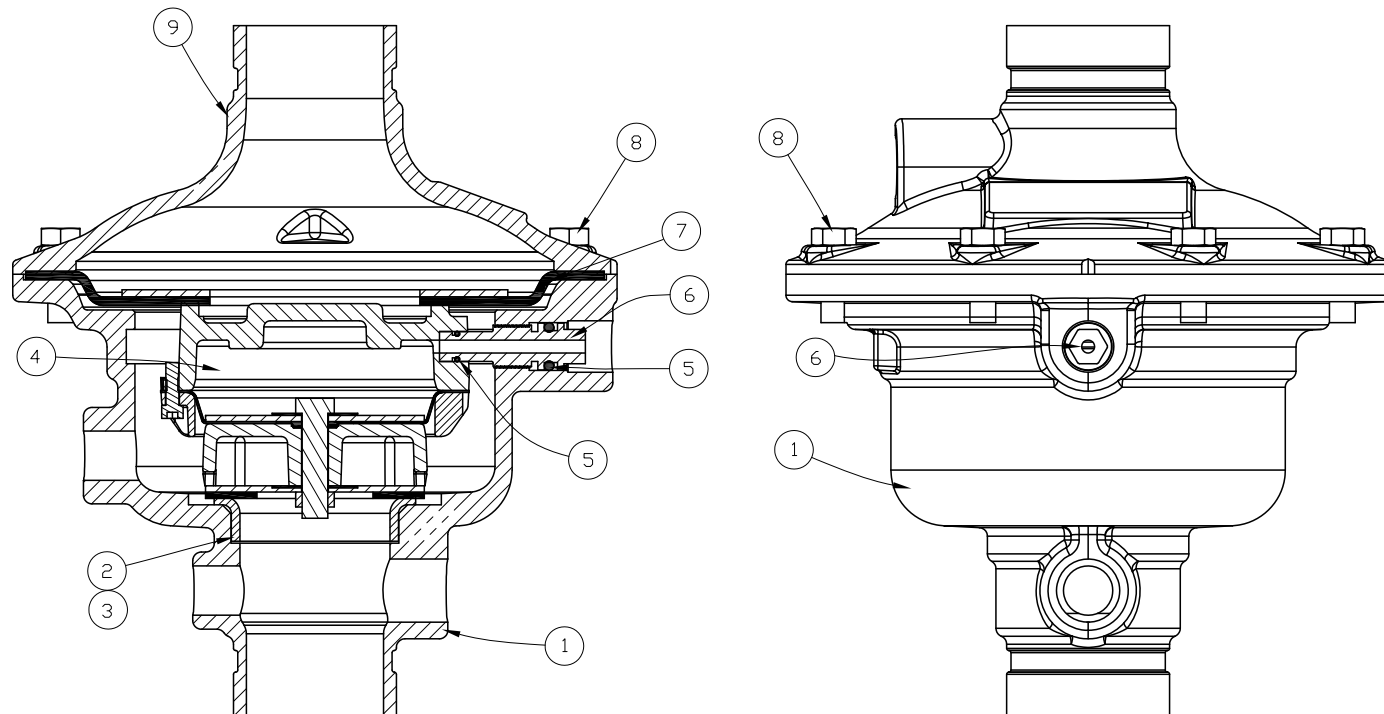




REPLACEMENT PARTS

2" MODEL G-2000  
DRY/PREACTION VALVE

Available since 2010.



ITEM NO.	PART NO.	DESCRIPTION	MATERIAL	NO. REQ'D
1	--	Body	65-45-12 Ductile Iron	1
2	--	Seat	UNS-C11000 Copper or UNS-S30400 Stainless Steel	1
3	--	Anaerobic Adhesive	--	1
4	16063	Prime Chamber Assembly	Brass, EPDM, Nitrile, 304 Stainless Steel, Bronze Alloy	1
5	*	O-Rings	EPDM and Nitrile	2 or 3**
6	16062	Coupling	UNS-S17400 Stainless Steel	1
7	15932	Check Diaphragm	EPDM	1
8	08091	3/8-16 x 1" HHS	UNS-S30400 Stainless Steel	8
9	--	Cover	65-45-12 Ductile Iron	1
10	--	Data Plate	Aluminum	2
11	--	Tack	Alloy Carbon Steel	4

-- Replacement part is not available.

\* Indicates part is available only in a Sub-Assembly, as indicated below.

**SUB-ASSEMBLY**

5	17443	O-Ring Replacement Kit (**Refer to O-Ring Replacement Bulletin Form No. F_120611 for instructions.)
---	-------	---