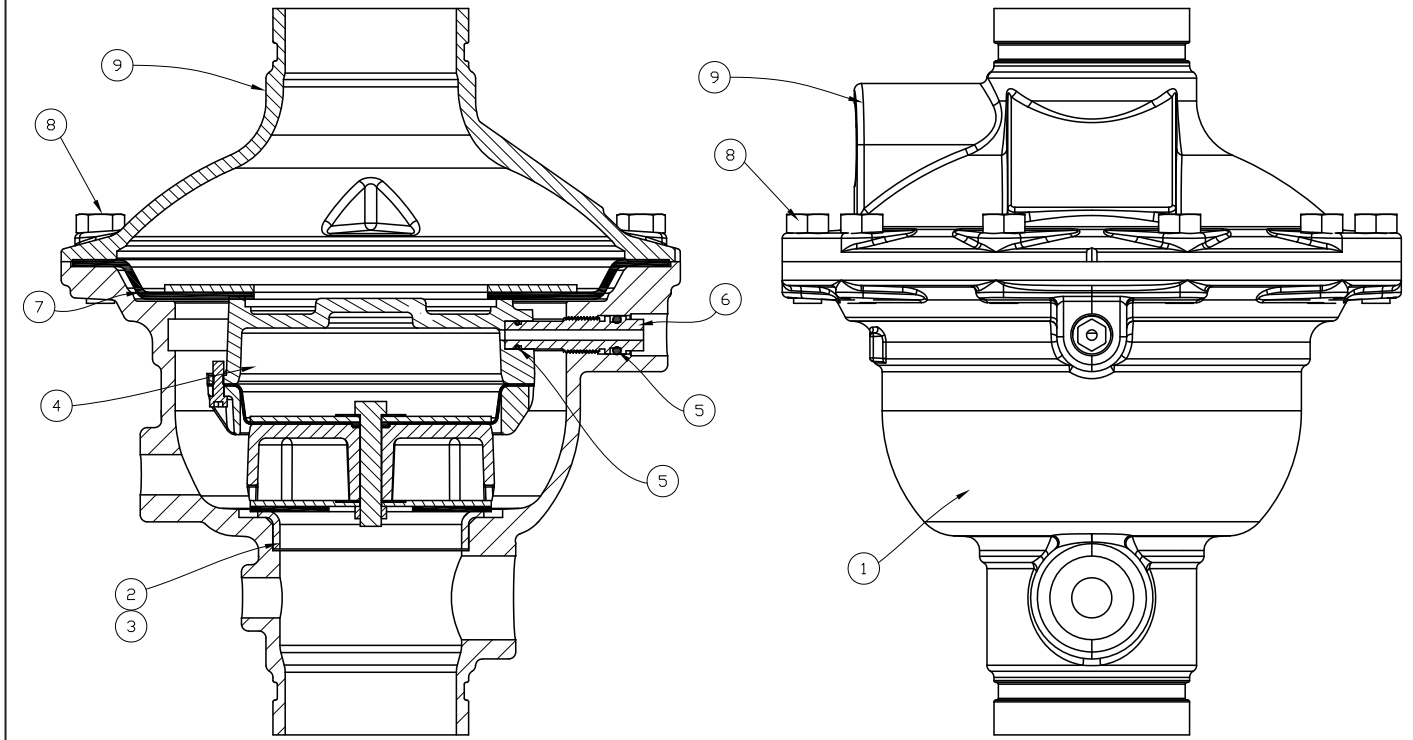




REPLACEMENT PARTS

3" MODEL G-3000
DRY/PREACTION VALVE

Available since 2010.



ITEM NUMBER	PART NUMBER	DESCRIPTION	MATERIAL	NUMBER REQUIRED
1	--	Body	65-45-12 Ductile Iron	1
2	--	Seat	UNS-C11000 Copper or UNS-S30400 Stainless Steel	1
3	--	Anaerobic Adhesive	--	1
4	16075	Prime Chamber Assembly	Brass, EPDM, Nitrile, 304 Stainless Steel, Bronze Alloy	1
5	*	O-Rings	EPDM and Nitrile	2 or 3**
6	16074	Coupling	UNS-S17400 Stainless Steel	1
7	15941	Check Diaphragm	EPDM	1
8	08081	1/2-13 x 1-1/4" HHS	UNS-S30400 Stainless Steel	10
9	--	Cover	65-45-12 Ductile Iron	1
10	--	Data Plate	Aluminum	2
11	--	Tack	Alloy Carbon Steel	4

-- Replacement part is not available.

* Indicates part available only in a Sub-Assembly, as indicated below.

SUB-ASSEMBLY

5	17444	O-Ring Replacement Kit (**Refer to O-Ring Replacement Bulletin Form No. F_120611 for instructions.)
---	-------	---