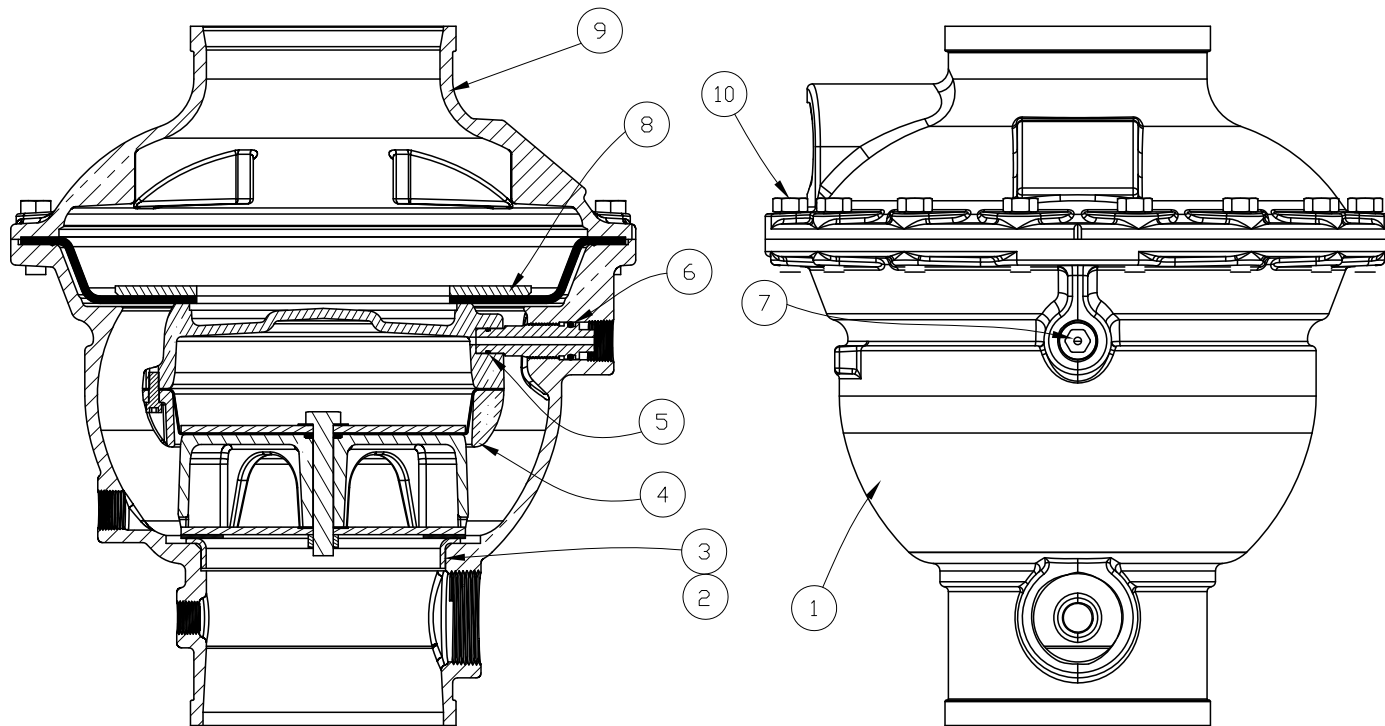




REPLACEMENT PARTS

6" MODEL G-6000
DRY/PREACTION VALVE

Available since 2011.



ITEM NUMBER	PART NUMBER	DESCRIPTION	MATERIAL	NUMBER REQUIRED
1	--	Body	64-45-12 Ductile Iron	1
2	--	Seat	UNS-S30400 Stainless Steel	1
3	--	Anaerobic Adhesive	--	1
4	17081	Prime Chamber Assembly	Brass, EPDM, Nitrile, 304 Stainless Steel, Bronze Alloy	1
5	*	O-Ring	EPDM	1
6	*	O-Ring	EPDM	1
7	16299	Coupling	UNS-S17400 Stainless Steel	1
8	16552	Check Diaphragm	EPDM	1
9	--	Cover	65-45-12 Ductile Iron	1
10	08083	1/2-13 x 1-1/2" HHS	UNS-S30400 Stainless Steel	16
11	--	Data Plate	Aluminum	2
12	--	Tack	Alloy Carbon Steel	4

-- Replacement part is not available.

* Indicates part is available only in a Sub-Assembly, as indicated below.

SUB-ASSEMBLY

5, 6	17445	O-Ring Replacement Kit (Refer to O-Ring Replacement Bulletin Form No. F_120611 for instructions.)
------	-------	---