



REPLACEMENT PARTS

DRY PIPE VALVE
MODEL D-1
6"

Manufactured 1975 - 1984

Valve Take Out - 20" (508,0 mm)

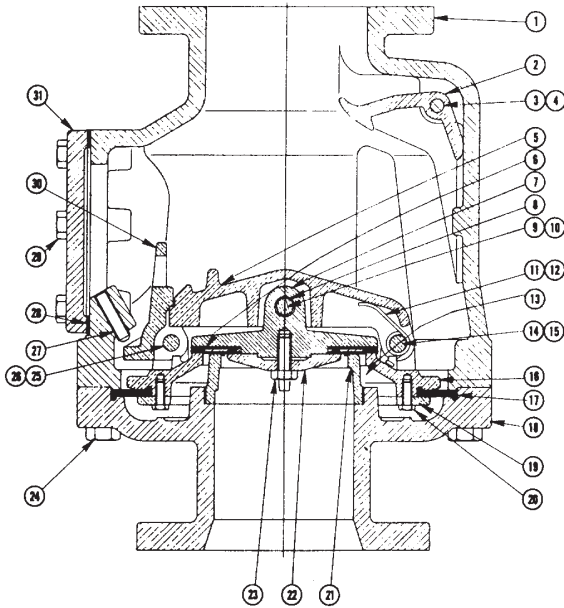


Figure 1: Original Valve Drawing

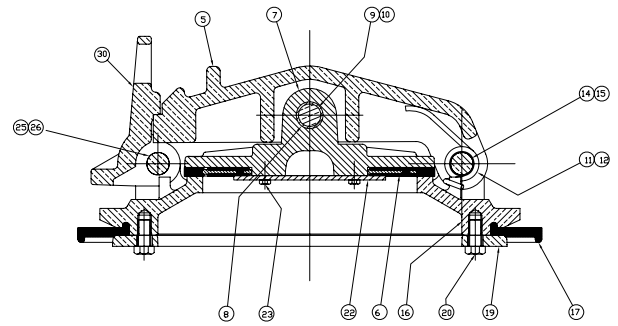


Figure 2: Replacement Member Assembly

ITEM NO.	PART NUMBER	DESCRIPTION	MATERIAL	NO. REQ'D
1	--	Housing	Cast Iron	1
2	--	Latch	Bronze	1
3	--	Latch Pin	Brass	1
4	--	3/8" NPT Pipe Plug	Brass	1
5	--	Clapper Arm	Manganese/Bronze	1
6	04622C	Clapper Rubber	EPDM/Brass	1
7	--	Clapper	Ductile Iron	1
8	--	Clapper Bushing	Bronze	2
9	--	Hinge Pin	Brass	1
10	--	Cotter Pin	Brass	2
11	--	Right Hand Spring	Stainless Steel	1
12	--	Left Hand Spring	Stainless Steel	1
13	--	Side Stop Pin	Brass	2
14	--	Cotter Pin	Brass	2
15	--	Clapper Shaft	Brass	1
16	--	Air Plate	Bronze	1
17	01994B	Air Plate Rubber	Neoprene	1
18	--	Base	Cast Iron	1
19	--	Clamp Ring	Brass	1
20	01517A	3/8-16 x 3/4 Hex Head Cap Screw	Cadmium Plated Steel	12
21	--	Seat	Bronze	1
22	--	Clamp Plate	Brass	1
23	--	5/16-18 x 1/2 Hex Head Cap Screw	Stainless Steel	3
24	02101A	3/4-10 x 2-1/4 Hex Head Cap Screw	Steel	12
25	--	Cotter Pin	Brass	2
26	--	Clapper Shaft	Brass	1
27	--	1/2-13 x 1-3/4 Socket Set Screw	Brass/Nylok	1
28	02006B	Hand Hole Cover Gasket	Fabric Reinforced Neoprene	1
29	05707A	1/2-13 x 1-1/2 Hex Head Cap Screw	Nylok/Stainless Steel	6
30	--	Hook	Manganese/Bronze	1
31	--	Hand Hole Cover	Cast Iron	1
--Indicates no replacement part available				
SUB-ASSEMBLIES				
From Fig 1"6, 28-29	12584	Rubber Replacement Kit		