

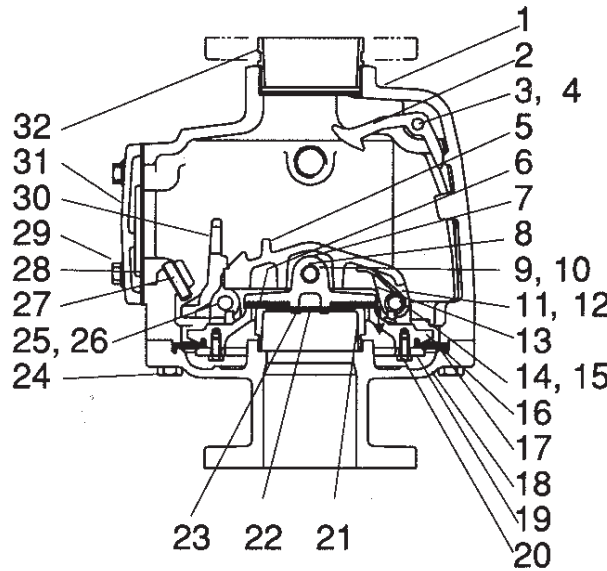


REPLACEMENT PARTS

DRY PIPE VALVE

MODEL E

3", 4" & 6"



Manufactured
Grooved Outlet
3" 1979 - 2000
4" 1978 - 2000
6" 1981 - 2000

Flanged Outlet
3" 1984 - 2000
4" 1984 - 2000
6" 1984 - 2000

Valve Take-out

3" - 18-1/4" (463,5 mm)
4" - 18-1/4" (463,5 mm)
6" - 20-1/16" (509,5 mm)

ITEM NO.	PART NUMBER		DESCRIPTION	MATERIAL	NO. REQ'D	
	3" & 4" E-2	6" E-1			3" & 4" E-2	6" E-1
1	--	--	Housing	Cast Iron	1	1
2	--	--	Latch	Cast Bronze	1	1
3	--	--	Latch Pin	Brass	1	1
4	--	--	Pipe Plug	Brass	2	2
5	--	--	Clapper Arm	Cast Manganese Bronze	1	1
6	04188B	04622C	Clapper Rubber	EPDM	1	1
7	--	--	Clapper	Cast Ductile Iron	1	1
8	--	--	Clapper Bushing	Bronze	2	2
9	--	--	Hinge Pin	Brass	1	1
10	--	--	Cotter Pin	Brass	2	2
11	--	--	Right Hand Spring	Stainless Steel	1	1
12	--	--	Left Hand Spring	Stainless Steel	1	1
13	--	--	Side Stop Pin	Brass	2	2
14	--	--	Cotter Pin	Brass	2	2
15	--	--	Clapper Shaft	Brass	1	1
16	--	--	Air Plate	Cast Brass	1	1
17	03756B	01994B	Air Plate Rubber	Neoprene	1	1
18	--	--	Base	Cast Iron	1	1
19	03757B	--	Clamp Ring	Cast Brass	1	1
20	01517A	01517A	3/8-16 x 3/4" Hex Head Cap Screw	Zinc Plated Steel	10	12
21	--	--	Seat	Cast Brass	1	1
22	--	--	Clamp Plate	Stainless Steel	1	1
23	--	02383A	5/16-18 x 1/2" Hex Head Cap Screw	Stainless Steel	3	3
	--	--	#10-24 x 1/2" Hex Head Cap Screw	Stainless Steel	3	3
24	02079A	--	5/8-11 x 2" Hex Head Cap Screw	Steel	10	12
	--	02101A	3/4-10 x 2-1/4" Hex Head Cap Screw	Steel	10	12
25	--	--	Cotter Pin	Brass	2	2
26	--	--	Clapper Shaft	Brass	1	1
27	--	--	1/2-13 x 1-3/4" Set Screw	Nylok/Brass	1	1
28	04187B	04187B	Hand Hole Cover Gasket	SBR Rubber	1	1
29	02079A	02079A	5/8-11 x 2" Hex Head Cap Screw	Steel	4	4
30	--	--	Hook	Cast Manganese Bronze	1	1
31	--	--	Hand Hole Cover	Cast Ductile Iron	1	1
32	--	--	Adapter	Cast Ductile Iron	1	1

--Indicates replacement part not available

* Indicates replacement part only available in a Sub-Assembly listed below.

SUB-ASSEMBLIES

6, 28-29	12585	12587	Rubber Replacement Kit
----------	-------	-------	------------------------