

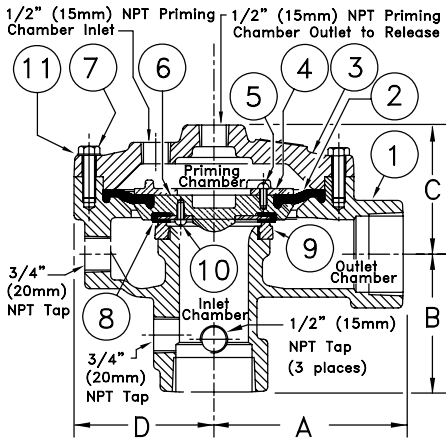


REPLACEMENT PARTS

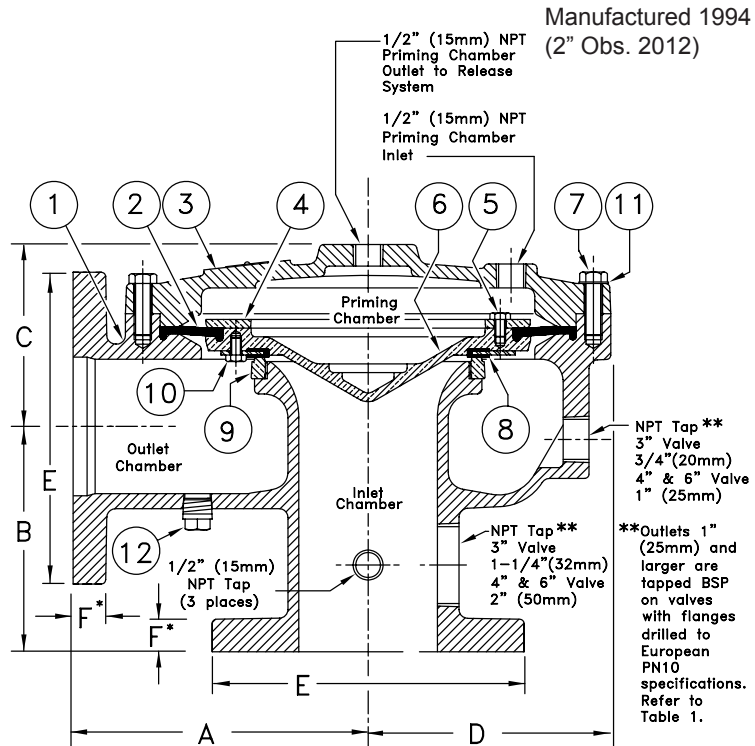
DELUGE VALVE HALAR®
COATED MODEL E-2
2" (DN50) - 6" (DN150)

SIZE	A	B	C	D	E	F*
2" (DN50)	5-1/2" (140)	4" (102)	3-3/4" (95)	4-1/16" (103)	N/A	N/A
3" (DN80)	7" (178)	5" (127)	4-1/4" (108)	5-3/8" (137)	7-1/2" (190,5)	3/4" (19,05)
4" (DN100)	9" (229)	6-1/2" (165)	5-1/4" (133)	7" (178)	9" (228,6)	15/16" (23,81)
6" (DN150)	12" (305)	8" (203)	7" (178)	9-1/8" (232)	11" (279,4)	1" (25,4)

Dimensions shown in parentheses are millimeter.
*4" & 6" valves manufactured with sculptured flanges.
Dimension indicates thickness of flange at bolt holes.



2" MODEL E-2
DELUGE VALVE



3", 4", OR 6" MODEL E-2
DELUGE VALVE

Manufactured 1994 -
(2" Obs. 2012)

ITEM NO.	PART NUMBERS				DESCRIPTION	MATERIAL	NO. REQ'D			
	2" (DN50)	3" (DN80)	4" (DN100)	6" (DN150)			2" (DN50)	3" (DN80)	4" (DN100)	6" (DN150)
1	—	—	—	—	Body	Halar® Coated Ductile Iron: 60-40-18 or 65-45-12	1	1	1	1
2	04223B	02492C	02377B	01974C	Diaphragm Rubber	EPDM ASTM D-2000	1	1	1	1
3	--	--	--	--	Cover	Ductile Iron Ductile Iron: 65-45-12	1	1	1	1
4	04224BN	02493BN	02378BN	05704BN	Clamp Ring	Teflon® Coated Brass UNS-C84400	1	1	1	1
5	08214				Screw, R.H., No. 10-24 x 1/2" (12.7 mm) Lg.	#400 Monel	4			
		08214			Screw, R.H., No. 10-24 x 1/2" (12.7 mm) Lg.	#400 Monel		6		
			08217		Screw, H.H.C., 5/16"-18 x 1/2" (12.7 mm) Lg.	#400 Monel			8	
				08218	Screw, H.H.C., 3/8"-16 x 5/8" (15.9 mm) Lg.	#400 Monel				12
6	07046BN	08846N	08844N	08570N	Clapper	Teflon® Coated Brass UNS-C84400 or Ductile Iron: 65-45-12	1	1	1	1
7	08091				Screw, H.H.C., 3/8" - 16 x 1-1/8" (28.6 mm) Lg.	Stainless Steel UNS-S30400	8			
		08081			Screw, H.H.C., 1/2"-13 x 1-1/4" (31.8 mm) Lg.	Stainless Steel UNS-S30400		10		
			08083		Screw, H.H.C., 1/2"-13 x 1-1/2" (38.1 mm) Lg.	Stainless Steel UNS-S30400			12	
				08085	Screw, H.H.C., 5/8"-11 x 1-3/4" (44.5 mm) Lg.	Stainless Steel UNS-S30400				15
8	04225B	02497B	02382B	02176B	Seat Rubber	EPDM ASTM D-2000/Stainless Steel UNS-S30400	1	1	1	1
9	—	—	—	—	Seat	Plated Brass UNS-C84400	1	1	1	1
10	08214				Screw, R.H., No. 10-24 x 1/2" (12.7 mm) Lg.	# 400 Monel	4			
		08215			Screw, R.H., No. 10-24 x 3/8" (9.5 mm) Lg.	# 400 Monel		6		
			08217		Screw, H.H.C., 5/16"-18 x 1/2" (12.7 mm) Lg.	# 400 Monel			8	
				08882	Screw, H.H.C., 3/8" - 16 x 1/2" (12.7 mm) Lg.	# 400 Monel				12
11	08412	08413	08413	08414	Washer	300 Series Stainless Steel	8	10	12	15
12	None	—	—	—	Plug, 1/2" (15 mm) NPT	Stainless Steel	--	1	1	1

-- Indicates replacement part not available

SUB-ASSEMBLY LIST

2, 4-8, 10, 11	14021	13398	13481	13483	Clapper Assembly Kit
----------------	-------	-------	-------	-------	----------------------