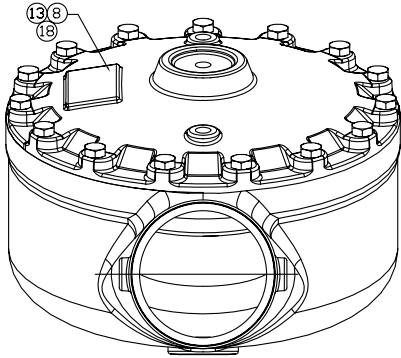




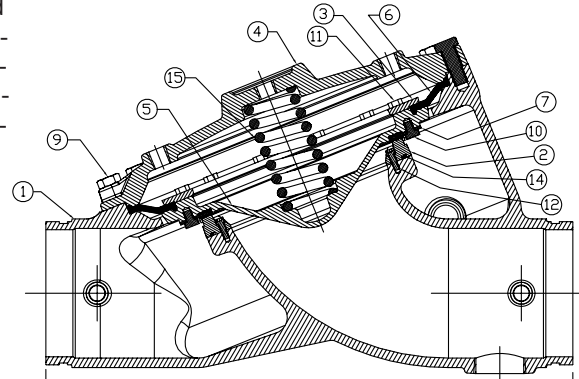
REPLACEMENT PARTS

FLOW CONTROL VALVE MODEL J-1

2-1/2" - 8" (DN65 - DN200)



Manufactured
 2-1/2" 2005 -
 3" 2004 -
 4" - 6" 2003 -
 8" 2000 -



2-1/2 - 15-1/8" [384]
 3" - 15-1/8" [384]
 4" - 19-1/2" [495]
 6" - 24 3/8 [619]
 8" - 29-1/2" [749]

ITEM NO.	PART NUMBER				DESCRIPTION	MATERIAL	NO. REQ'D			
	2-1/2" & 3"	4"	6"	8"			2-1/2" & 3"	4"	6"	8"
1	--	--	--	--	Body	Ductile Iron, Grade 65-45-12	1	1	1	1
2	*	*	*	*	Seat	Brass, UNS-C84400	1	1	1	1
					Seat	Brass, UNS-C83600				
3	02493B	02378B	05704B		Ring Clamp, Upper Diaphragm	Brass, UNS-C84400	1	1	1	1
				10514	Ring Clamp, Upper Diaphragm	Brass, UNS-C83600				
4	--	--	--	--	Cover	Ductile Iron, Grade 65-45-12	1	1	1	1
5	08846N	08844N	08570N	10518N/B	Clapper	Ductile Iron, Teflon Coated	1	1	1	1
6	12012	11560	11561	10510	Upper Diaphragm	EPDM - ASTM D-2000	1	1	1	1
7	02497B	02382B	02176B	10512	Rubber Seat Assembly	EPDM - ASTM D-2000	1	1	1	1
8	--	--	--	--	Data Plate	Aluminum Etched	1	1	1	1
9	02169A				Screw, H.H.C ¹ , 1/2-13 x 1 1/4 (32)	Steel, Low Carbon, SAE Grade 5	10			
		02200A			Screw, H.H.C ¹ , 1/2-13 x 1 1/2 (38)	Steel, Low Carbon, SAE Grade 2		12		
			05707A	05707A	Screw, H.H.C ¹ , 5/8-11 x 1 3/4 (44)	Steel, Low Carbon, SAE Grade 2			15	16
10	02496A				Screw, R.H. ³ , 10-24 x 3/8 (9.5)	Stainless Steel UNS - S30200	6			
		02383A			Screw, H.H.C ¹ , 5/16-18 x 1/2 (13)	Stainless Steel UNS - S30400		8		
			07932		Screw, H.H.C ¹ , 3/8-16 x 1/2 (13)	Stainless Steel UNS - S30400			12	
				11021	Screw, S.H.C ² , 3/8-16 x 1/2 (13)	Stainless Steel UNS - S31600				12
11	02494A				Screw, R.H. ³ , 10-24 x 1/2 (13)	Stainless Steel UNS - S30200	6			
		02383A			Screw, H.H.C ¹ , 5/16-18 x 1/2 (13)	Stainless Steel UNS - S30400		8		
			02454A		Screw, H.H.C ¹ , 3/8-16 x 5/8 (16)	Stainless Steel UNS - S30400			12	
				11022	Screw, S.H.C ² , 3/8-16 x 3/4 (19.1)	Stainless Steel UNS - S31600				12
12	*				Screw, R.H. ³ , 10-24 x 5/8 (16)	Stainless Steel UNS - S30200	4			
		*			Screw, S.H.C ¹ , 10-24 x 3/4 (19)	Stainless Steel UNS - S31600		6		
			*	*	Screw, S.H.C ² , 1/4-20 x 3/4 (19)	Stainless Steel UNS - S30200			8	6
13	--	--	--	--	Tack	Tack	2	4	2	4
14	*	*	*	*	O-Ring	EPDM	1	1	1	1
15	05838A	05842A	01920A	10527	Spring	Stainless Steel	1	1	1	1
Not Shown				11570	Eye Bolt, 5/8-11-UNC	Carbon Steel				1
Not Shown				F01256	Nut, 5/8-11-UNC	Stainless Steel				1
18	--	--	--	--	Plate, PN10 Flange Identifier	Aluminum	1	1	1	1
				--	Plate, PN16 Flange Identifier					

-- Indicates no replacement part available

* Indicates part available only in sub-assembly listed below

SUB-ASSEMBLY

3, 5-7, 9-11	13488	13490	13492	13484	Clapper Assembly
2, 12, 14	14711-3	14711-4	14711-6	14711-8	Seat Replacement Kit*

¹ Hex Head Cap Screw

² Socket Head Cap Screw, (8" Valve - #10 & 11 must be S.H.C. for clearance with seat)

³ Round Head Phillips Drive Screw

*Note: Includes o-ring lubricant to be added to ring groove in seat.