



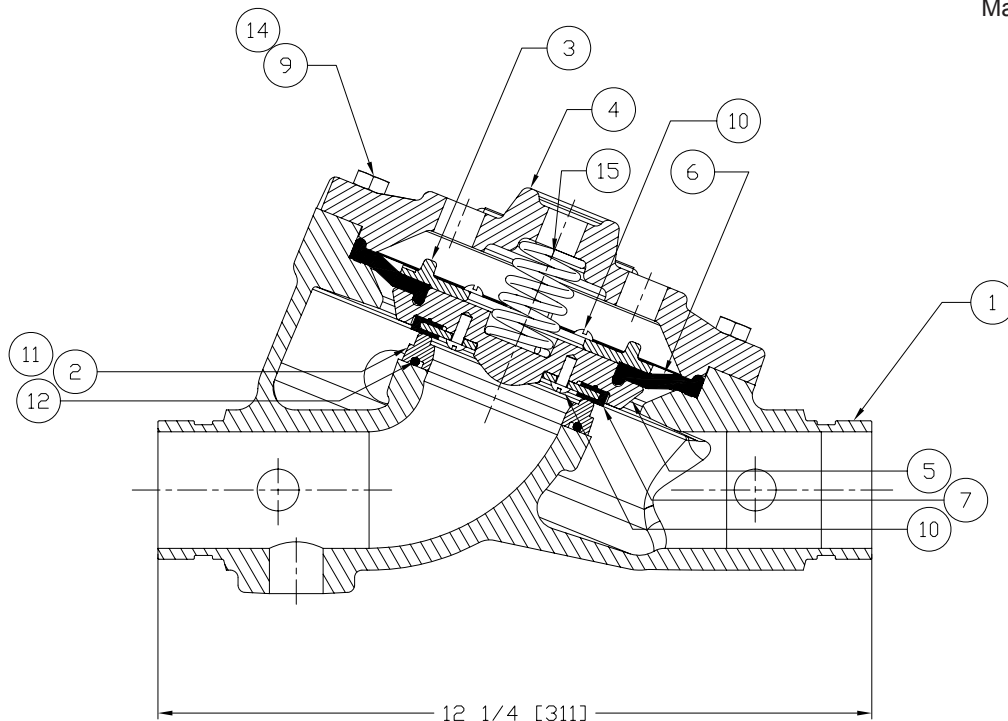
REPLACEMENT PARTS

FLOW CONTROL VALVE HALAR®

COATED MODEL J-2

1-1/2" & 2" (DN40 & DN50)

Manufactured 2004 -



ITEM NO.	PART NUMBER	DESCRIPTION	MATERIAL	NO. REQ'D.
1	--	Body	Ductile Iron	1
2	*	Seat	Brass	1
3	04224BN	Ring Clamp, Upper Diaphragm	Brass Casting	1
4	--	Cover	Ductile Iron	1
5	07046BN	Clapper	Ductile Iron	1
6	12055	Upper Diaphragm	EPDM - ASTM D-2000	1
7	04225B	Rubber Seat Assembly	EPDM - ASTM D-2000	1
8	--	Data Plate	Aluminum Etched	1
9	08091	Screw, H.H.C. ¹ , 3/8-16 x 1-1/8 (29)	Steel, SAE-Grade 5, ASTM A449	8
10	08214	Screw, R.H. ² , 10-24 x 1/2 (12.7)	#400 Monel	8
11	*	Screw, R.H. ² , 10-24 x 5/8 (16)	#400 Monel	4
12	*	O-Ring	EPDM	1
13	01905A	Spring	Stainless Steel, UNS-S30200	1
14	08412	Washer	Stainless Steel	12

-- Indicates no replacement part available

* Indicates part available only in sub-assembly listed below

SUB-ASSEMBLY

3, 5-7, 9, 10, 14	13396	Clapper Assembly Kit
2, 11-12	14712-2	Seat Replacement Kit*

¹ Hex Head Cap Screw

² Round Head, Phillips Drive Screw

*Note: Includes o-ring lubricant to be added to ring groove in seat.