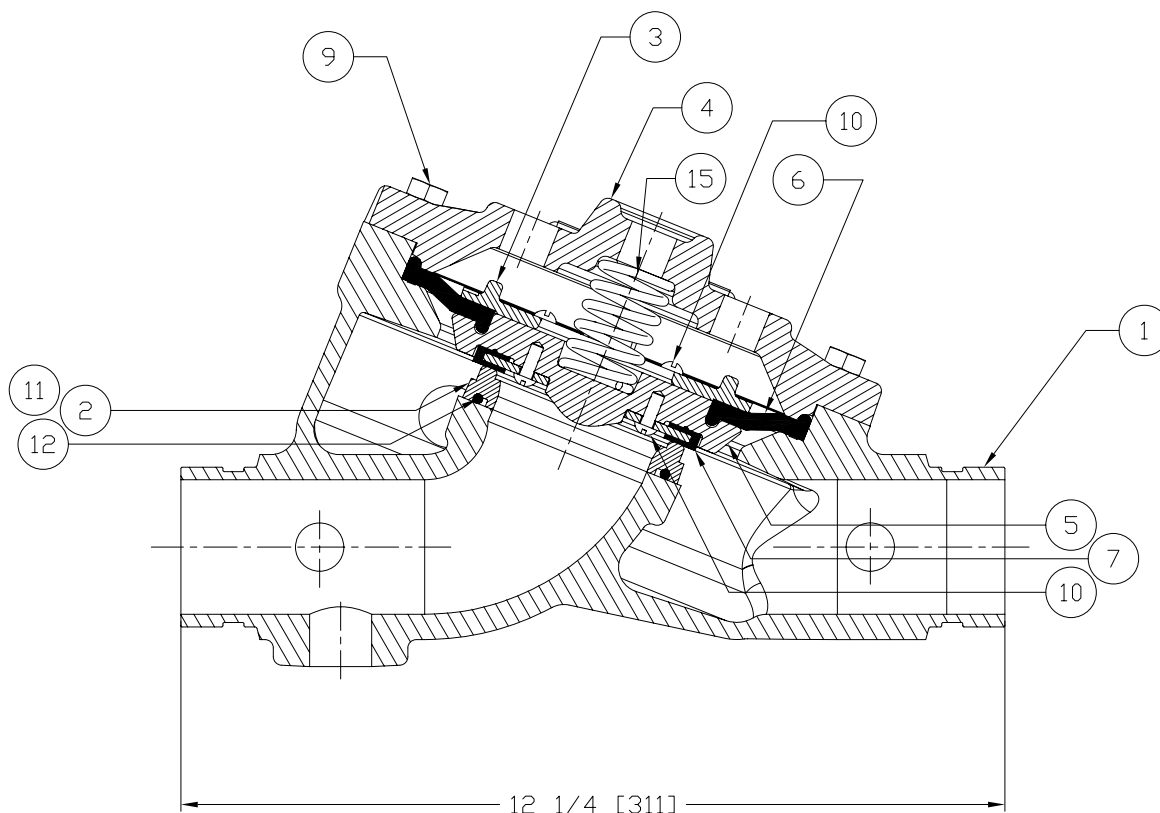




REPLACEMENT PARTS

**FLOW CONTROL VALVE
MODEL J-1
1-1/2" & 2" (DN40 & DN50)**

Manufactured 2004 -



ITEM NO.	PART NUMBER	DESCRIPTION	MATERIAL	NO. REQ'D
1	--	Body	Ductile Iron Grade 65-45-12	1
2	*	Seat	Brass UNS-C84400	1
3	04224B	Ring Clamp, Upper Diaphragm	Brass UNS-C84400	1
4	--	Cover	Ductile Iron Grade 65-45-12	1
5	07046BN	Clapper	Brass UNS-C84400	1
6	12055	Upper Diaphragm	EPDM - ASTM D-2000	1
7	04225B	Rubber Seat Assembly	EPDM - ASTM D-2000/Stainless Steel UNS-S30400	1
8	--	Data Plate	Aluminum Etched	1
9	05855A	Screw, H.H.C., 3/8-16 x 1-1/8 (29 mm)	Steel SAE-Grade 5, ASTM A449	8
10	02494A	Screw, R.H., 10-24 x 1/2 (12.7 mm)	Stainless Steel UNS-S30200	8
11	*	Screw, R.H., 10-24 x 5/8 (16 mm)	Stainless Steel UNS-S30200	4
12	*	O-Ring	EPDM	1
13	01905A	Spring	Stainless Steel UNS-S30200	1

-- Indicates replacement part not available

* Indicates part available only in sub-assembly listed below

SUB-ASSEMBLY

3, 5-7, 9, 10	13498	Clapper Assembly Kit
2, 11-12	14711-2	Seat Replacement Kit*

*Note: Includes O-ring lubricant to be added to ring groove in seat.