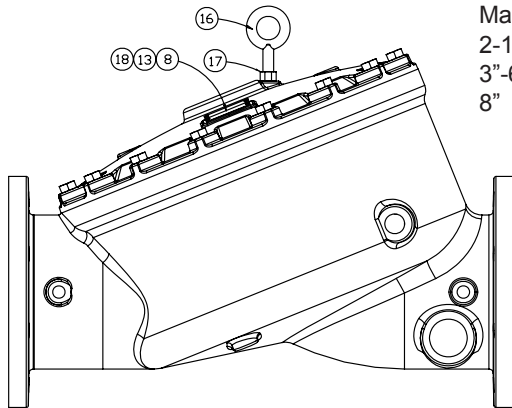


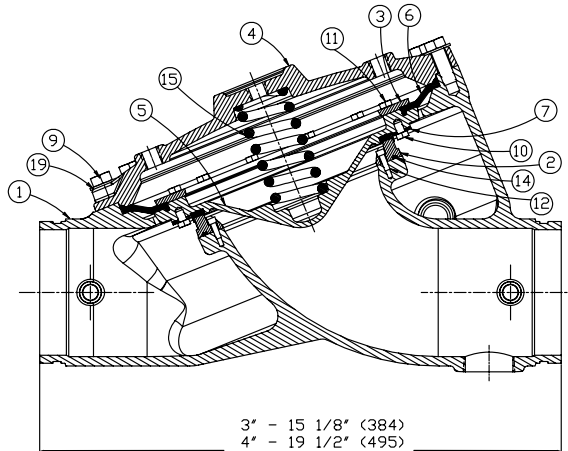


REPLACEMENT PARTS

FLOW CONTROL VALVE HALAR®
COATED MODEL J-2
2-1/2" - 8" (DN65 - DN200)



Manufactured
 2-1/2" 2005 -
 3"-6" 2002 -
 8" 2000 -



3" - 15 1/8" (384)
 4" - 19 1/2" (495)
 6" - 24 3/8" (619)
 8" - 29 1/2" (749)

ITEM NO.	PART NUMBER				DESCRIPTION	MATERIAL	NO. REQ'D			
	2-1/2" (DN65) & 3" (DN80)	4" (DN100)	6" (DN150)	8" (DN200)			2-1/2" (DN65) & 3" (DN80)	4" (DN100)	6" (DN150)	8" (DN200)
1	--	--	--	--	Body	Ductile Iron, Grade 65-45-12, Halar® Coated	1	1	1	1
2	*	*	*		Seat	Brass, UNS-C84400, Nickel/Tin Plated	1	1	1	
				*	Seat	Brass, UNS-C83600, Nickel/Tin Plated				1
3	02493BN	02378BN	05704BN		Ring Clamp, Upper Diaphragm	Brass, UNS-C84400, Teflon Coated	1	1	1	
				10514N	Ring Clamp, Upper Diaphragm	Brass, UNS-C83600, Teflon Coated				1
4	--	--	--	--	Cover	Ductile Iron, Grade 65-45-12, Halar® Coated	1	1	1	1
5	08846N	08844N	08570N	10518N/B	Clapper	Ductile Iron, Teflon Coated	1	1	1	1
6	12012	11560	11561	10510	Upper Diaphragm	EPDM - ASTM D-2000	1	1	1	1
7	02497B	02382B	02176B	10512	Rubber Seat Assembly	EPDM - ASTM D-2000	1	1	1	1
8	--	--	--	--	Data Plate	Aluminum Etched	1	1	1	1
9	08081				Screw, H.H.C ¹ , 1/2-13 x 1 1/4 (32 mm)	Stainless Steel, UNS-S30400	10			
		08083			Screw, H.H.C ¹ , 1/2-13 x 1 1/2 (38 mm)	Stainless Steel, UNS-S30400		12		
10			08085	08085	Screw, H.H.C ¹ , 5/8-11 x 1 3/4 (44 mm)	Stainless Steel, UNS-S30400			15	16
	08215				Screw, R.H. ³ , 10-24 x 3/8 (9,5 mm)	#400 Monel	6			
		08217			Screw, H.H.C ¹ , 5/16-18 x 1/2 (13 mm)	#400 Monel		8		
			08882		Screw, H.H.C ¹ , 3/8-16 x 1/2 (13 mm)	#400 Monel			12	
11				11116	Screw, S.H.C ² , 3/8-16 x 1/2 (13 mm)	#400 Monel				12
	08214				Screw, R.H. ³ , 10-24 x 1/2 (13 mm)	#400 Monel	6			
		08217			Screw, H.H.C ¹ , 5/16-18 x 1/2 (13 mm)	#400 Monel		8		
			08218		Screw, H.H.C ¹ , 3/8-16 x 5/8 (16 mm)	#400 Monel			12	
12				11117	Screw, S.H.C ² , 3/8-16 x 3/4 (19,1 mm)	#400 Monel				12
	*				Screw, R.H. ³ , 10-24 x 5/8 (16 mm)	#400 Monel	4			
		*			Screw, S.H.C ² , 10-24 x 3/4 (19,1 mm)	#400 Monel		6		
		*	*	Screw, S.H.C ² , 1/4-20 x 3/4 (19,1 mm)	#400 Monel			8	6	
13	--	--	--	--	Tack	Tack	2	4	2	4
14	*	*	*	*	O-Ring	EPDM	1	1	1	1
15	05838A	05842A	01920A	10527	Spring	Stainless Steel	1	1	1	1
16				11570	Eye Bolt, 5/8-11-UNC	Carbon Steel				1
17				F01256	Nut, 5/8-11-UNC	Stainless Steel				1
18				--	Plate, PN10 Flange Identifier	Aluminum	1	1	1	1
				--	Plate, PN16 Flange Identifier					
19	08413	08413	08414	08414	Washer	300 Series Stainless Steel	12	12	15	16

-- Indicates no replacement part available

* Indicates part available only in sub-assembly listed below

SUB-ASSEMBLY

3, 5-7, 9-11, 19	13489	13491	13493	13485	Clapper Assembly
2, 12, 14	14712-3	14712-4	14712-6	14712-8	Seat Replacement Kit*

¹ Hex Head Cap Screw ² Socket Head Cap Screw, (8" Valve - #10 & 11 must be S.H.C. for clearance with seat)

³ Round Head Phillips Drive Screw

*Note: Includes o-ring lubricant to be added to ring groove in seat.