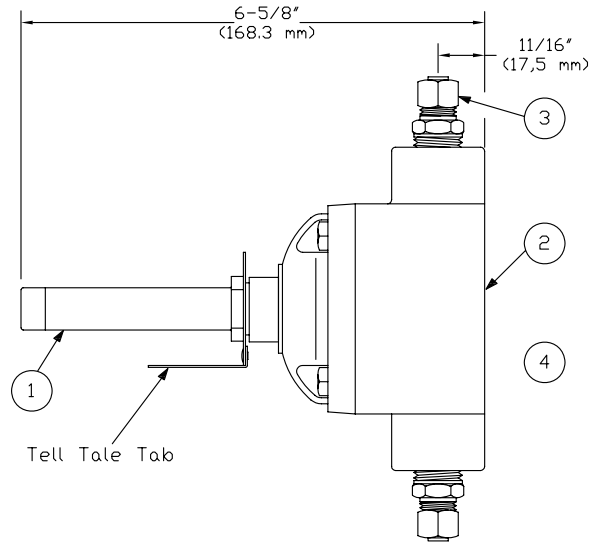
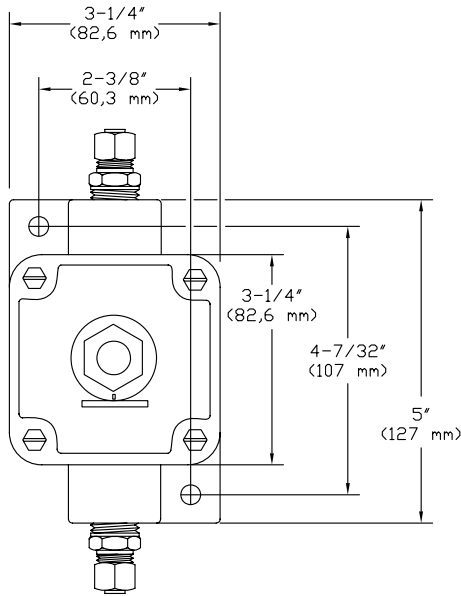




REPLACEMENT PARTS

**FIRECYCLE® DETECTOR
MODEL B**

Manufactured 1980 -



Tell Tale Tab

ITEM NO.	PART NUMBER	DESCRIPTION	MATERIAL	NO. REQ'D
1	04625B	140 °F (60 °C) Probe	Stainless Steel	1
	04626B	160 °F (71 °C) Probe	Stainless Steel	
	04627B	190 °F (88 °C) Probe	Stainless Steel	
	04628B	225 °F (107 °C) Probe	Stainless Steel	
2	04629A	Box and Cover	Aluminum	1
3	04016A	Connector, Male Tube*	Aluminum Buna H	2
4 Not Shown	04631A	Wire Connector	Porcelain	2

*Not included or required with detector for use with wire in conduit