



# REPLACEMENT PARTS

## FLOW CONTROL VALVE HALAR®

### COATED MODEL H-2

2", 3", 4" & 6" (DN50, DN80, DN100 & DN150)

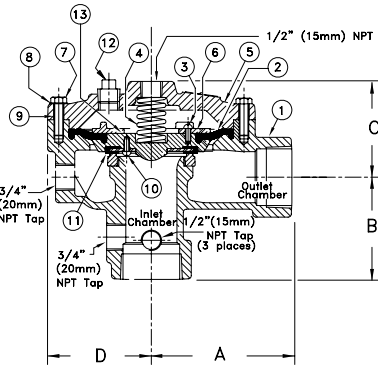
Size	A	B	C	D	E	F*
2" (DN50)	5-1/2" (140)	4" (102)	3-3/4" (95)	4-1/16" (103)	--	--
3" (DN80)	7" (178)	5" (127)	4-1/4" (108)	5-3/8" (137)	7-1/2" (190.5)	3/4" (19.05)
4" (DN100)	9" (229)	6-1/2" (165)	5-1/4" (133)	7" (178)	9" (228.6)	15/16" (23.81)
6" (DN150)	12" (304)	8" (203)	7" (178)	9-1/8" (232)	11" (279.4)	1" (25.4)

Dimensions shown in parentheses are millimeter.

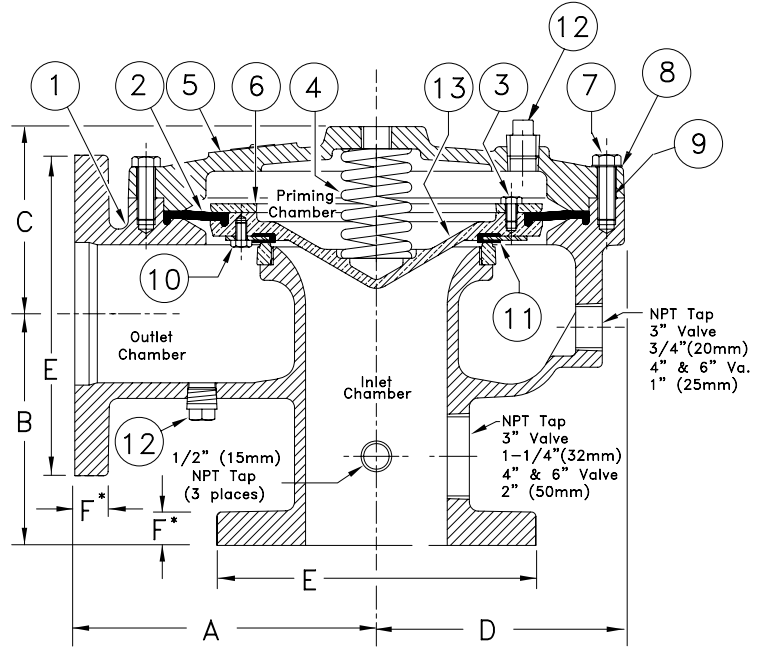
\*4" & 6" valves manufactured with sculptured flanges.

Dimensions indicate thickness of flange at bolt holes.

Manufactured  
 2" 1994 -2012  
 3"-6" 1994-



2" (DN50)



3" (DN50), 4" (DN100) & 6" (DN150)

ITEM NO.	PART NUMBERS				DESCRIPTION	MATERIAL	NO. REQ'D			
	2" (DN50)	3" (DN80)	4" (DN100)	6" (DN150)			2" (DN50)	3" (DN80)	4" (DN100)	6" (DN150)
1	--	--	--	--	Body	Halar® Coated Ductile Iron: 60-40-18 or 65-45-12	1	1	1	1
2	04223B	02492C	02377B	01974C	Diaphragm Rubber	EPDM ASTM D-2000	1	1	1	1
3	08214				Screw, R.H., No. 10-24 x 1/2" (12.7 mm) Lg.	#400 Monel	4			
		08214			Screw, R.H., No. 10-24 x 1/2" (12.7 mm) Lg.	#400 Monel		6		
			08217		Screw, H.H.C., 5/16"-18 x 1/2" (12.7 mm) Lg.	#400 Monel			8	
				08218	Screw, H.H.C., 3/8"-16 x 5/8" (15.9 mm) Lg.	#400 Monel				12
4	01905A	05838A	05842A	01920A	Spring	Stainless Steel	1	1	1	1
5	--	--	--	--	Cover	Ductile Iron: 65-45-12	1	1	1	1
6	04224BN	02493BN	02378BN	05704BN	Clamp Ring	Teflon® Coated Bronze: UNS-C84400	1	1	1	1
7	08091				Screw, H.H.C., 3/8" - 16 x 1-1/8" (28.6 mm) Lg.	Stainless Steel: UNS-S30400	8			
		08081			Screw, H.H.C., 1/2"-13 x 1-1/4" (31.8 mm) Lg.	Stainless Steel: UNS-S30400		10		
			08083		Screw, H.H.C., 1/2"-13 x 1-1/2" (38.1 mm) Lg.	Stainless Steel: UNS-S30400			12	
				08085	Screw, H.H.C., 5/8"-11 x 1-3/4" (44.5 mm) Lg.	Stainless Steel: UNS-S30400				15
8	08412	08413	08413	08414	Washer	Stainless Steel: UNS-S30400	8	10	12	15
9	--	--	--	--	Lithium Grease	Lithium Grease	--	--	--	--
10	08214				Screw, R.H., No. 10-24 x 1/2" (12.7 mm) Lg.	# 400 Monel	4			
		08215			Screw, R.H., No. 10-24 x 3/8" (9.5 mm) Lg.	# 400 Monel		6		
			08217		Screw, H.H.C., 5/16"-18 x 1/2" (12.7 mm) Lg.	# 400 Monel			8	
				08882	Screw, H.H.C., 3/8" - 16 x 1/2" (12.7 mm) Lg.	# 400 Monel				12
11	04225B	02497B	02382B	02176B	Seat Rubber	EPDM ASTM D-2000 & St. Stl. UNS-S30400	1	1	1	1
12	None	--	--	--	Plug, 1/2" NPT	Stainless Steel	--	1	1	1
13	*	*	*	*	Clapper	Teflon® Coated Ductile Iron 65-45-12 or Brass UNS-C84400	1	1	1	1
14	--	--	--	--	Seat	Brass UNS-C84400	1	1	1	1

Note: -- Indicates replacement part not available

\* Indicates part is available in Sub-Assembly only - see Sub-Assembly list

#### SUB-ASSEMBLY LIST

2-3, 6-8, 10, 11, 13	14021	13398	13481	13483	Clapper Assembly Kit
----------------------	-------	-------	-------	-------	----------------------