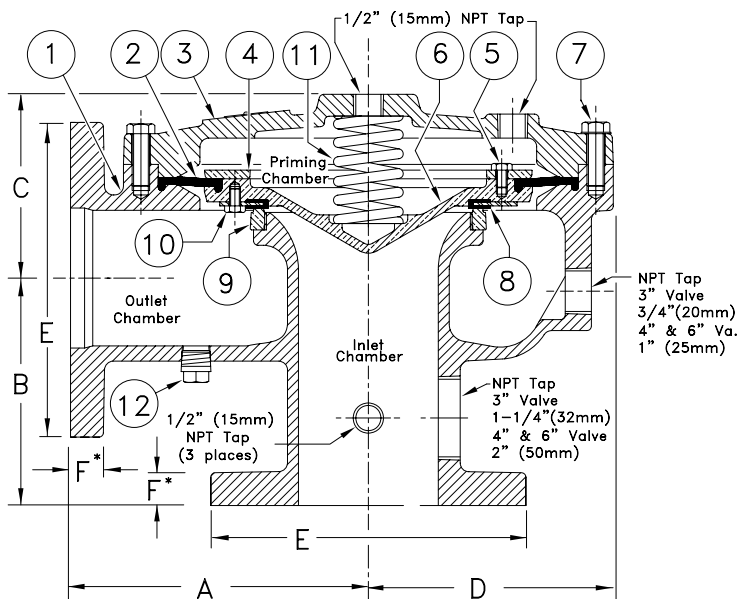




REPLACEMENT PARTS

FLOW CONTROL VALVE MODEL H-1

3", 4" & 6" (DN80, DN100, DN150)



Manufactured
3" 1985 -
4" 1985 -
6" 1984

SIZE	A	B	C	D	E	F*	Dimensions shown in parentheses are mm.
3" (DN80)	7" (178)	5" (127)	4-1/4" (108)	5-3/8" (137)	7-1/2" (190,5)	3/4" (19,05)	* 4" & 6" valves are manufactured with sculptured flanges. Dimension indicates thickness of flange at bolt holes.
4" (DN100)	9" (229)	6-1/2" (165)	5-1/4" (133)	7" (178)	9" (228,6)	15/16" (23,81)	
6" (DN150)	12" (305)	8" (203)	7" (178)	9-1/8" (232)	11" (279,4)	1" (25,4)	

ITEM NO.	PART NUMBER			DESCRIPTION	MATERIAL	NO. REQ'D		
	3"	4"	6"			3"	4"	6"
1	--	--	--	Body	Ductile Iron 60-40-18 or 65-45-12	1	1	1
2	02492C	02377B	01974C	Diaphragm Rubber	EPDM ASTM D2000	1	1	1
3	--	--	--	Cover	Ductile Iron 65-45-12	1	1	1
4	02493B	02378B	05704B	Clamp Ring	Bronze UNS-C84400	1	1	1
5	02494A			Screw, R.H., No. 10-24 x 1/2" (12.7 mm) lg.	Stainless Steel UNS-S30200	6		
		02383A		Screw, H.H.C., 5/16" - 18 x 1/2" (12.7 mm) lg.	Stainless Steel UNS-S30400		8	
			02454A	Screw, H.H.C., 3/8"-16 x 5/8" (15.9 mm) lg.	Stainless Steel UNS-S30200			12
6	08846N	08844N	08570N	Clapper	Ductile Iron 65-45-12 Teflon® Coated	1	1	1
7	02169A			Screw, H.H.C., 1/2"-13 x 1-1/4" (31.8 mm) lg.	Steel	10		
		02200A		Screw, H.H.C., 1/2"-13 x 1-1/2" (38.1 mm) lg.	Steel		12	
			05707A	Screw, H.H.C., 5/8"-11 x 1-3/4" (44.5 mm) lg.	Steel			15
8	02497B	02382B	02176B	Seat Rubber Assembly	EPDM/Stainless Steel UNS-S30400	1	1	1
9	--	--	--	Seat	Bronze UNS-C84400	1	1	1
10	02496A			Screw, R.H., 10-24 x 3/8" (9.5 mm) lg.	Stainless Steel	6		
		02383A		Screw, H.H.C., 5/16" - 18 x 1/2" (12.7 mm) lg.	Stainless Steel		8	
			07932	Screw, H.H.C., 3/8"-16 x 1/2" (12.7mm) lg.	Stainless Steel			12
11	05838A	05842A	01920A	Spring	Stainless Steel	1	1	1
12	--	--	--	Plug, 1/2" NPT	Steel	1	1	1
13	--	--	--	Vent Screw	Brass	0	1	1
14	--	--	--	Vent Screw Washer	Polypropylene	0	1	1
--Indicates replacement part not available								
SUB-ASSEMBLY								
2, 4-8 10	13397	13399	13482	Clapper Assembly Kit				