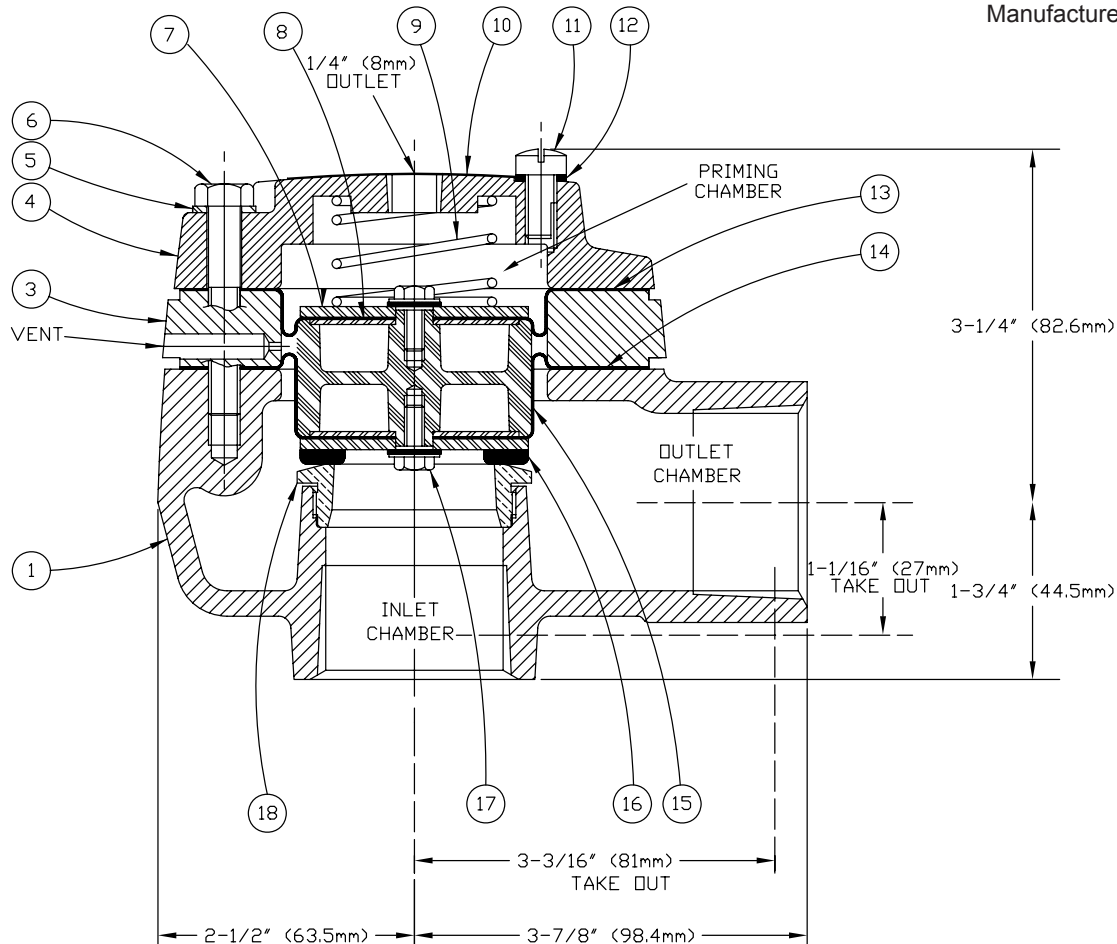




REPLACEMENT PARTS

**FLOW CONTROL VALVE
MODEL H-3 1-1/2" (DN40)
MAXIMUM 250 PSI WWP**

Manufactured 1997 -



ITEM NO.	PART NUMBER	DESCRIPTION	MATERIAL	NO. REQ'D.
1	--	Body	Ductile Iron 60-40-18	1
3	--	Spacer	Ductile Iron 65-45-12	1
4	--	Cover	Ductile Iron 60-40-18	1
6	04838A	Screw, H.H.C., 5/16-18 x 2" Lg.	Steel	4
7	04211A	Clamp Plate	Stainless Steel UNS-S30400, 12 gauge	1
8	04692A	End Plate	Stainless Steel UNS-S30400, 18 gauge	2
9	09320	Spring	Stainless Steel UNS-30200	1
10	--	Cover Label	Aluminum	1
11	03914A	Vent Screw	Brass	1
12	03915A	Vent Screw Washer	Polypropylene	1
13	04212B	Upper Diaphragm	Polyester Fabric and EPDM Elastomer	1
14	09865	Lower Diaphragm	Polyester Fabric and EPDM Elastomer	1
15	04547B	Piston	Polycarbonate RTP 301	1
16	04928A	Clapper Assembly	Stainless Steel UNS-S30400, 12 gauge & EPDM	1
17	06595A	Screw and Sealing Washer Assembly	Stainless Steel UNS-S30400	2
18	--	Seat	Brass UNS-C84400	1

--Indicates replacement part not available

SUB-ASSEMBLY

13-14, 16-17	09951	Diaphragm Repair Kit
6-8, 13-17	13486	Clapper Assembly Kit