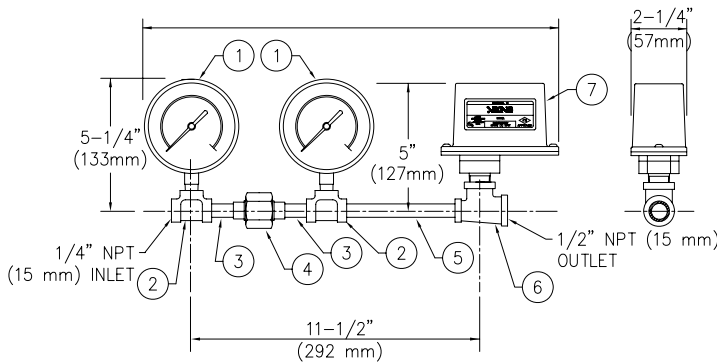




**REPLACEMENT PARTS**

**RELEASE LINE AIR SUPPLY ASSEMBLY MODEL A-1**

Manufactured 1992 -



ITEM NO.	PART NUMBER	DESCRIPTION	NO. REQ'D
1	VAIRSF	Air Gauge	2
2	--	Tee, 1/4" (6,3mm) Galvanized	2
3	--	Nipple, 1/4" x 1-1/2" Galvanized	2
4	02902B	Restriction Assembly 0.031" (0,79 mm)	1
5	--	Nipple, 1/4" x 5" Galvanized	1
6	--	Tee, 1/2" x 1/4" x 1/2" Galvanized	1
7	PS101A	Pressure Switch	1

--Indicates replacement part not available

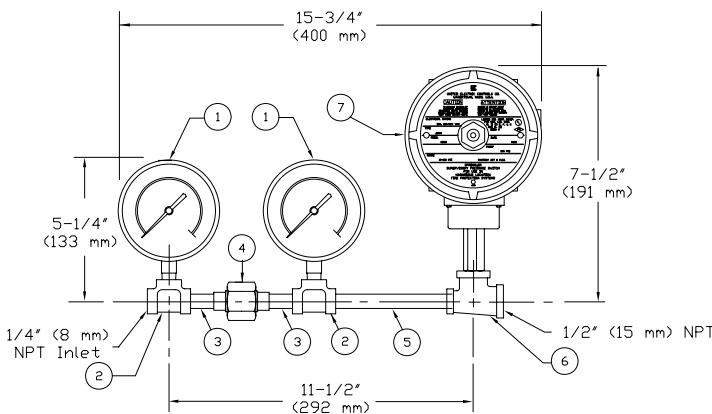


**REPLACEMENT PARTS**

**RELEASE LINE AIR SUPPLY ASSEMBLY**

(EXPLOSION-PROOF / WATERTIGHT)

Manufactured 1992 -2008



ITEM NO.	PART NUMBER	DESCRIPTION	NO. REQ'D
1	VAIRSF	Air Gauge	2
2	--	Tee, 1/4" (6,3 mm) Galvanized	2
3	--	Nipple, 1/4" x 1-1/2" Galvanized	2
4	02902B	Restriction Assembly 0.031" (0,79 mm)	1
5	--	Nipple, 1/4" x 5" Galvanized	1
6	--	Tee, 1/2" x 1/4" x 1/2" Galvanized	1
7	10380	Explosion-Proof Pressure Supervisory Switch	1
8	10600	Cover Access Hex Key (included, not shown)	2

--Indicates replacement part not available