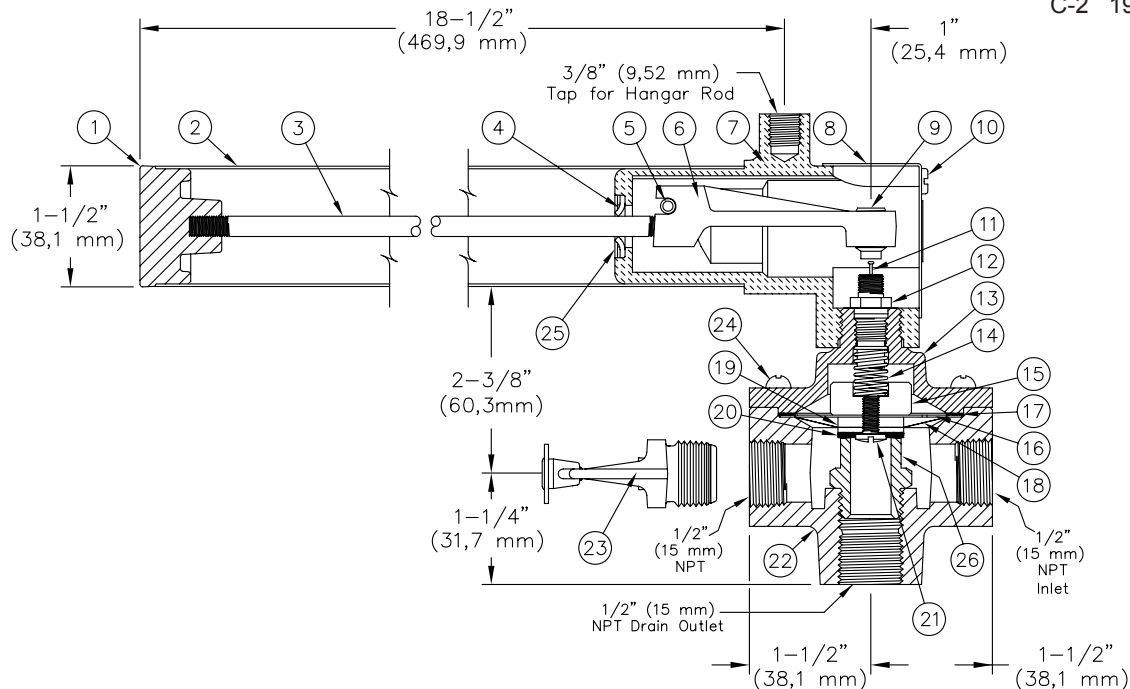




REPLACEMENT PARTS

THERMOSTATIC RELEASE MODELS C-1 & C-2

Manufactured
C-1 1966 -
C-2 1979 -



ITEM NO.	PART NUMBER		DESCRIPTION	MATERIAL		NO. REQ'D
	C-1	C-2		C-1	C-2	
1	--	--	End Cap	Cast Bronze	Cast Bronze	1
2	--	--	Element Tube	Aluminum	Cupro-Nickel	1
3	--	--	Element Rod	Aluminum	Cupro-Nickel	1
4	--	--	Rod Seal	Neoprene	Neoprene	1
5	--	--	Pivot Pin	Stainless Steel	Stainless Steel	1
6	--	--	Lever Arm	Cast Bronze	Cast Bronze	1
7	--	--	Housing	Cast Bronze	Cast Bronze	1
8	--	--	Housing Cover/Label	Stainless Steel/Vinyl	Stainless Steel/Vinyl	1
9	01440A	01440A	Screw, Socket Set 3/8-24 x 5/8" lg.	Stainless Steel/Nylok	Stainless Steel/Nylok	1
10	05108A	05108A	Screw, R.H. Machine #8-32 x 1/4" lg.	Stainless Steel	Stainless Steel	2
11	01718A	01718A	Schrader Valve Core	Brass, Nickel Plated	Brass, Nickel Plated	1
12	--	--	Schrader Valve Body	Brass, Nickel Plated	Brass, Nickel Plated	1
13	--	--	Cover	Cast Bronze	Cast Bronze	1
14	06177A	06177A	Spring	Stainless Steel	Stainless Steel	1
15	*	*	Spring Retainer	Brass	Brass, Nickel Plated	1
16	*	*	Diaphragm	Fairprene	Fairprene	1
17	01604A	01604A	Seal Ring	Neoprene	Neoprene	1
18	*	*	Screen	Monel	Monel	1
19	*	*	Clamp Plate	Brass	Brass, Nickel Plated	1
20	*	*	Clapper	Brass with Bonded EPDM	Brass with Bonded EPDM	1
21	*	*	Screw, B.H. 10-24 x 1/2" lg.	Stainless Steel	Brass	1
22	*	*	Body	Cast Bronze	Cast Bronze	1
23	07848FB	07848CB	Fixed Temperature Release, 155 °F (68 °C)	Various	Various	1
24	04505A	04505A	Screw, R.H. Self-tap #10-24 x 5/8" lg.	Stainless Steel	Stainless Steel	6
25	--	--	Seal Retainer	Brass	Brass	1
26	*	*	Seat	Brass	Brass	1

--Indicates replacement part not available

*Indicates replacement part only available in Sub-Assembly listed below

SUB-ASSEMBLIES

11, 14-21, 23, 24	12615	12616	Maintenance Kit - Includes Adjustment Kit
--	01714A	01714A	Adjustment Kit (consists of a feeler gauge, wrench and 5 schrader valve cores)
22, 26	03706B	03706B	Body Assembly

Note: Do not replace Item No. 11 with a part from other sources. This is a special valve core available only from The Viking Corporation.