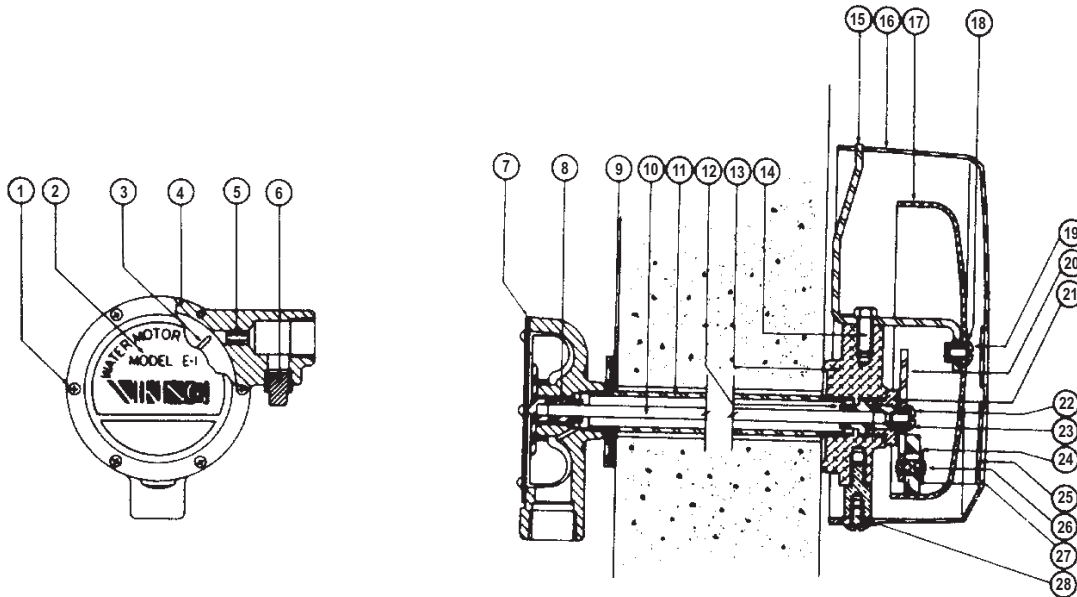




**REPLACEMENT PARTS**

**WATER MOTOR ALARM  
MODEL E-1**

Manufactured 1976 - 1984



ITEM NO.	PART NUMBER	DESCRIPTION	MATERIAL	NO. REQ'D
1	02548A	Screw, R. H. Self-tap #10-24 x 3/8" lg.	Zinc Plated Steel	6
2	--	Cover	Galvanized Steel	1
3	02547C	Impeller	Delrin	1
4	--	Housing	Cast Iron	1
5	--	Nozzle	Brass	1
6	--	3/8" Pipe Plug	Cast Iron	1
7	02550B	Cover Gasket	Cellulose/Nitrile/Glass Blend	1
8	--	Bearing	Brass	1
9	05603A	Wall Plate	Galvanized Steel	1
10	03312B	Drive Shaft	Stainless Steel	1
11	--	3/4" Pipe (C.O.J.) not furnished	Steel	1
12	02556B	Striker Arm Shaft	Plastic (Dupont Delrin)	1
13	--	Bracket	Cast Aluminum	1
14	--	Screw, H.H.C. 3/8-16 x 1" lg.	Stainless Steel/Nylok	1
15	--	Gong Support	Stainless Steel	1
16	--	Hood with Label (Red)	Plastic (Butyrate)	1
17	05821C	Gong	Aluminum	1
18	02766A	Flat Washer, 11/32" ID x 11/16" ID x 1/16"	Stainless Steel	1
19	02683A	Screw, B.H. Slotted, 5/16-18 x 1/2" lg.	Stainless Steel	1
20	*	Striker Arm	Stainless Steel	1
21	--	Bearing	Brass	1
22	--	Flat Washer, 11/32" ID x 11/16" ID x 1/16"	Stainless Steel	1
23	03330A	Screw, B.H. Slotted, 5/16-18 x 1/2" lg.	Zinc Plated Steel	1
24	--	Hood Label	Vinyl	1
25	*	Striker	Canvas Phenolic Laminate	1
26	*	Striker Pin	Stainless Steel	1
27	*	Striker Arm Washer	Stainless Steel	1
28	02683A	Screw, B.H. Slotted, 5/16-18 x 1/2" lg.	Stainless Steel	1

--Indicates replacement part not available

\*Indicates replacement part only available in Sub-Assembly listed below

**SUB-ASSEMBLIES**

20, 25-27	02558B	Striker Arm Assembly		
-----------	--------	----------------------	--	--