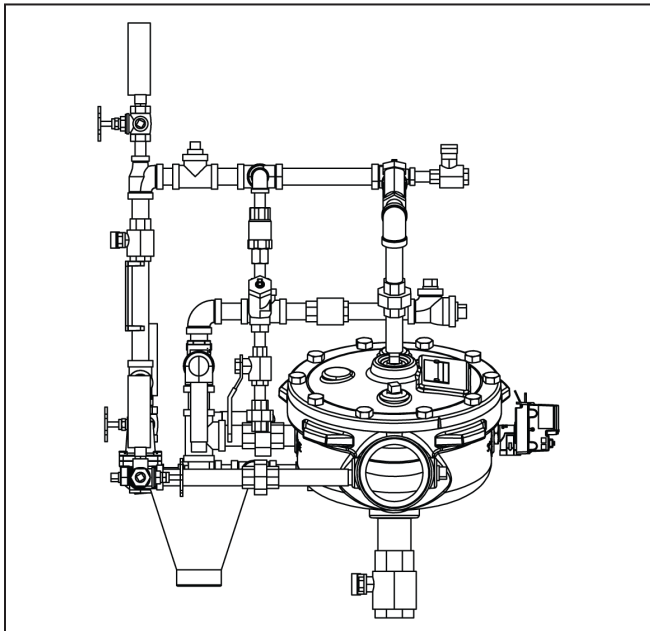




TECHNICAL DATA

PILOT REGULATING FLOW CONTROL HORIZONTAL TRIM 3" (DN80) MODEL J FLOW CONTROL VALVE

The Viking Corporation, 210 N Industrial Park Drive, Hastings MI 49058
 Telephone: 269-945-9501 Technical Services: 877-384-5464 Fax: 269-818-1680 Email: techsvcs@vikingcorp.com
 Visit the Viking website for the latest edition of this technical data page: www.vikinggroupinc.com



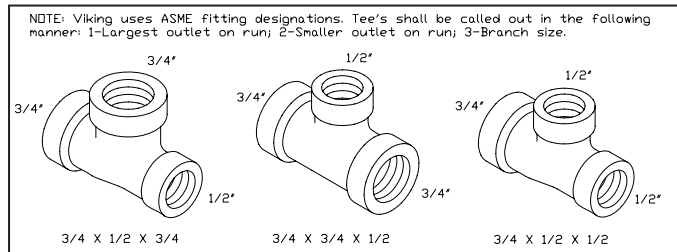
This Trim Chart is for use with the following Viking Trim Sets			
Valve Size	Galvanized Trim Part No.	Brass Trim Part No.	Stainless Steel Part No.
3" (DN80)	26520-1	26520-2	26520-3
This trim is for use with the following Release Module Trim Kits			
Release Type	Galvanized	Brass	Stainless Steel
Electric	10830	10832	10831
Note: Nipple lengths for brass trim may vary from those shown on this Trim Chart.			

WARNING: Cancer and Reproductive Harm - www.P65Warnings.ca.gov

Notes: For use with Trim Charts on Pages 2 and 3

General Notes:

- Valve must be trimmed as shown. Any deviation from trim size or arrangement may affect the proper operation of the valve.
- Dimensions in parenthesis are millimeters.
- Viking uses ANSI tee designations (large outlet on run, small outlet on run, side outlet) in all trim call-outs.



Note 1: Release System connection.

Note 2: Alarm Connections: Connect alarm line piping to 3/4" (20 mm) NPT outlet. When using a Water Motor Alarm, a strainer is required. 1/2" (15 mm) NPT outlet is for electric Alarm Pressure Switch.

Note 3: Optional non-interruptible connection for Alarm Pressure Switch to activate electric alarm panel. Note: After the flow control valve trips, this location cannot be shut off. Alarms may operate until the outlet chamber of the flow control valve is de-pressurized below the set point of the Alarm Pressure Switch.

Note 4: Viking Drain Check Valve is manufactured with a 0.067" (1.7 mm) orifice to allow alarm line to drain. Do not substitute. Check label for proper orientation.



TECHNICAL DATA

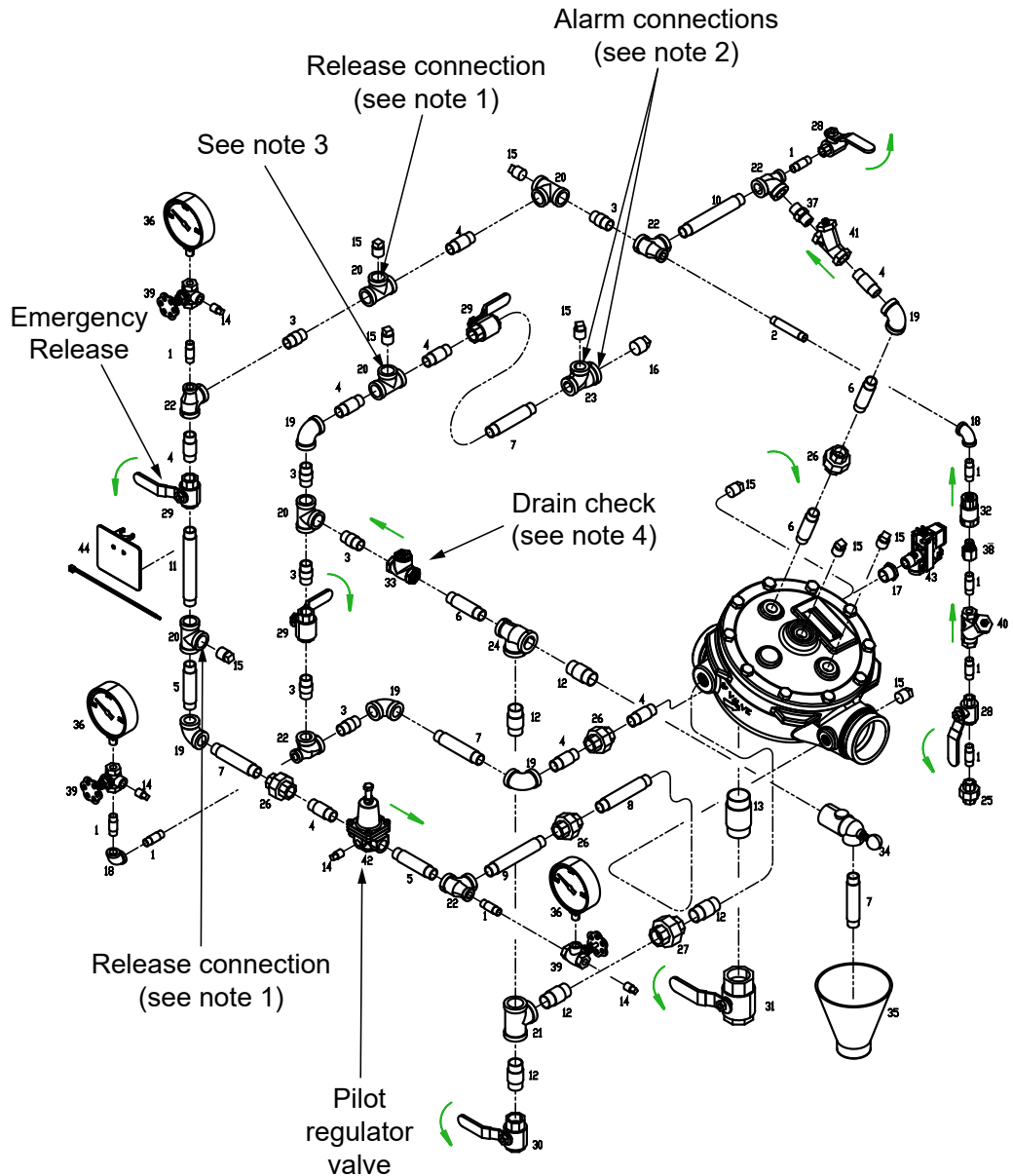
PILOT REGULATING FLOW CONTROL HORIZONTAL TRIM

3" (DN80) MODEL J
FLOW CONTROL VALVE

The Viking Corporation, 210 N Industrial Park Drive, Hastings MI 49058

Telephone: 269-945-9501 Technical Services: 877-384-5464 Fax: 269-818-1680 Email: techsvcs@vikingcorp.com
Visit the Viking website for the latest edition of this technical data page: www.vikinggroupinc.com

ITEM	BOM DESCRIPTION	REQ.
1	NIPPLE, 1/4" X 1-1/2"	9
2	NIPPLE, 1/4" X 3"	1
3	NIPPLE, 1/2" X 1-1/2"	7
4	NIPPLE, 1/2" X 2"	8
5	NIPPLE, 1/2" X 3-1/2"	2
6	NIPPLE, 1/2" X 3"	3
7	NIPPLE, 1/2" X 4"	4
8	NIPPLE, 1/2" X 4-1/2"	1
9	NIPPLE, 1/2" X 5"	1
10	NIPPLE, 1/2" X 5-1/2"	1
11	NIPPLE, 1/2" X 6"	1
12	NIPPLE, 3/4" X 2"	5
13	NIPPLE, 1-1/4" X 3"	1
14	PLUG, 1/4"	4
15	PLUG, 1/2"	9
16	PLUG, 3/4"	1
17	REDUCING BUSHING, 3/4" X 1/2"	1
18	ELBOW, 1/4"	2
19	ELBOW, 1/2"	5
20	TEE, 1/2"	5
21	TEE, 3/4"	1
22	TEE, 1/2" X 1/4" X 1/2"	5
23	TEE, 3/4" X 1/2" X 1/2"	1
24	TEE, 3/4" X 1/2" X 3/4"	1
25	UNION, 1/4"	1
26	UNION, 1/2"	4
27	UNION, 3/4"	1
28	BALL VALVE, 1/4"	2
29	BALL VALVE, 1/2"	3
30	BALL VALVE, 3/4"	1
31	BALL VALVE, 1-1/4"	1
32	CHECK VALVE, 1/4"	1
33	DRAIN CHECK VALVE	1
34	DRIP CHECK	1
35	DRAIN CUP	1
36	PRESSURE GAUGE, WATER	3
37	RESTRICTION, .0625	1
38	RESTRICTION, 1/16"	1
39	SIDE OUTLET VALVE, 1/4"	3
40	STRAINER, 1/4"	1
41	STRAINER, 1/2"	1
42	PILOT PRESSURE REGULATOR	1
43	PRESSURE RELIEF VALVE	1
44	EMERGENCY RELEASE TAG KIT	1



Refer to page 1 for
General Notes and
Notes 1 through 4.

Order Flow Control Valve
Separately

Figure 1
3" Pilot Regulating Trim for Model J Flow Control Valve
(Part numbers 26520-1 and 26520-2)



TECHNICAL DATA

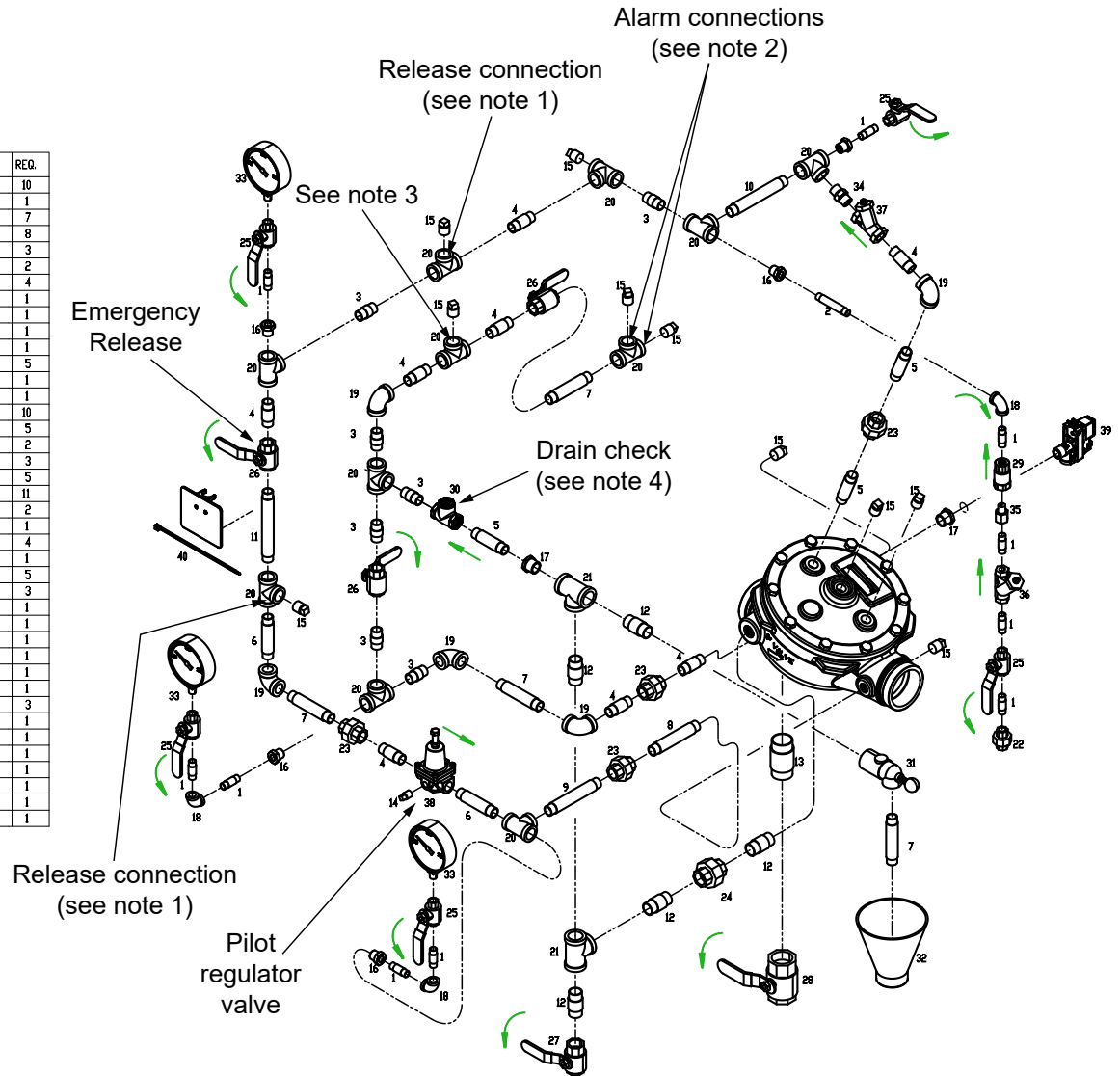
PILOT REGULATING FLOW CONTROL HORIZONTAL TRIM

3" (DN80) MODEL J
FLOW CONTROL VALVE

The Viking Corporation, 210 N Industrial Park Drive, Hastings MI 49058

Telephone: 269-945-9501 Technical Services: 877-384-5464 Fax: 269-818-1680 Email: techsvcs@vikingcorp.com
Visit the Viking website for the latest edition of this technical data page: www.vikinggroupinc.com

ITEM	BOM DESCRIPTION	REQ.
1	NIPPLE, 1/4" X 1-1/2"	10
2	NIPPLE, 1/4" X 3"	1
3	NIPPLE, 1/2" X 1-1/2"	7
4	NIPPLE, 1/2" X 2"	8
5	NIPPLE, 1/2" X 3"	3
6	NIPPLE, 1/2" X 3-1/2"	2
7	NIPPLE, 1/2" X 4"	4
8	NIPPLE, 1/2" X 4-1/2"	1
9	NIPPLE, 1/2" X 5"	1
10	NIPPLE, 1/2" X 5-1/2"	1
11	NIPPLE, 3/4" X 2"	5
12	NIPPLE, 1/2" X 6"	1
13	NIPPLE, 1-1/4" X 3"	1
14	PLUG, 1/4"	1
15	PLUG, 1/2"	10
16	REDUCING BUSHING, 1/2" X 1/4"	5
17	REDUCING BUSHING, 3/4" X 1/2"	2
18	ELBOW, 1/4"	3
19	ELBOW, 1/2"	5
20	TEE, 1/2"	11
21	TEE, 3/4"	2
22	UNION, 1/4"	1
23	UNION, 1/2"	4
24	UNION, 3/4"	1
25	BALL VALVE, 1/4"	5
26	BALL VALVE, 1/2"	3
27	BALL VALVE, 3/4"	1
28	BALL VALVE, 1-1/4"	1
29	CHECK VALVE, 1/4"	1
30	DRAIN CHECK VALVE	1
31	DRIP CHECK	1
32	DRAIN CUP	1
33	PRESSURE GAUGE, WATER	3
34	RESTRICTION, .0625	1
35	RESTRICTION, 1/16"	1
36	STRAINER, 1/4"	1
37	STRAINER, 1/2"	1
38	PILOT PRESSURE REGULATOR	1
39	PRESSURE RELIEF VALVE	1
40	EMERGENCY RELEASE TAG KIT	1



Refer to page 1 for
General Notes and
Notes 1 through 4.

Order Flow Control Valve
Separately

Figure 2
3" Stainless Steel Pilot Regulating Trim for Model J Flow Control Valve
(Part number 26520-3)



TECHNICAL DATA

PILOT REGULATING FLOW CONTROL HORIZONTAL TRIM

3" (DN80) MODEL J
FLOW CONTROL VALVE

The Viking Corporation, 210 N Industrial Park Drive, Hastings MI 49058

Telephone: 269-945-9501 Technical Services: 877-384-5464 Fax: 269-818-1680 Email: techsvcs@vikingcorp.com
Visit the Viking website for the latest edition of this technical data page: www.vikinggroupinc.com

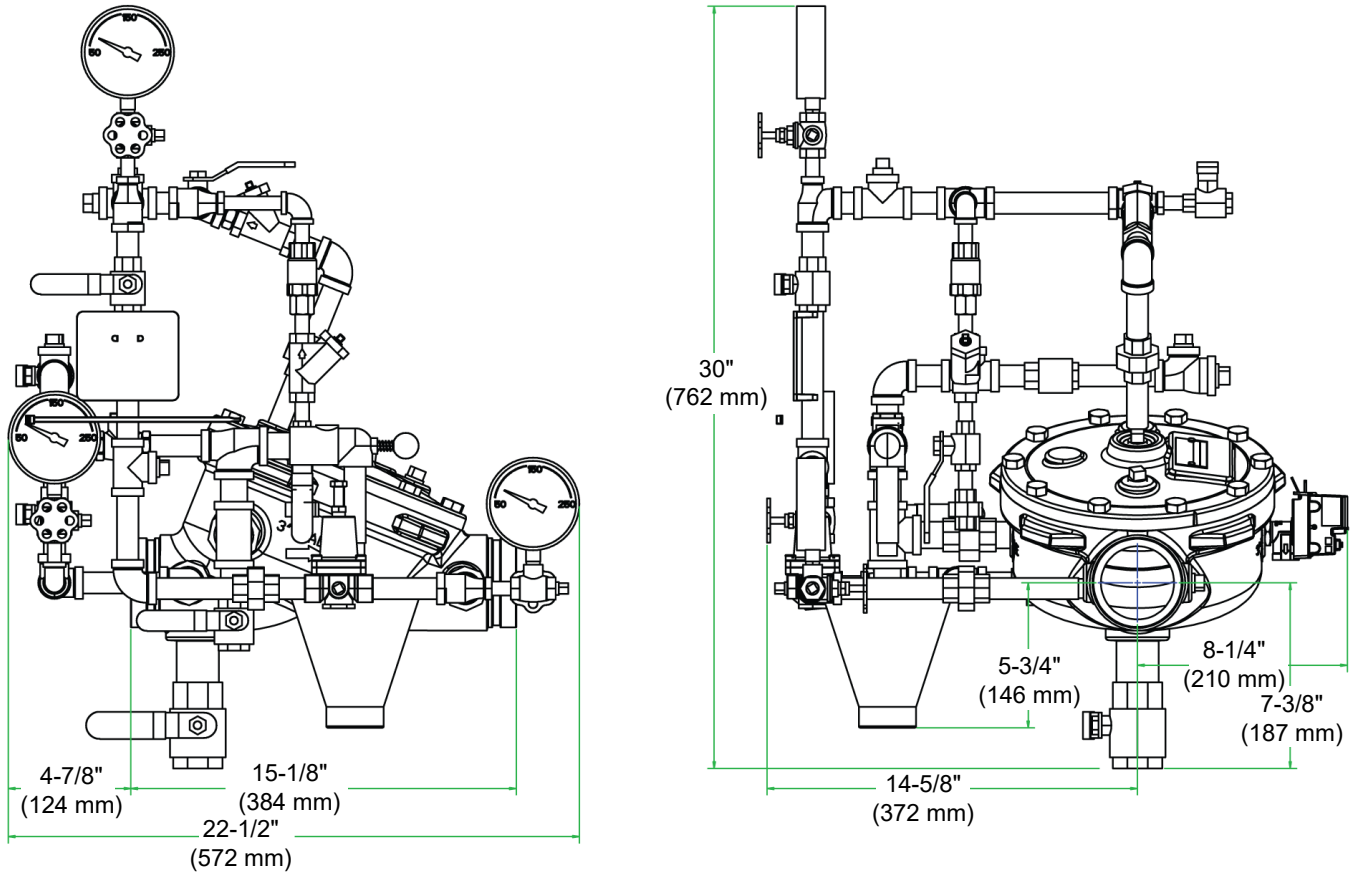


Figure 3 - Installation Dimensions