

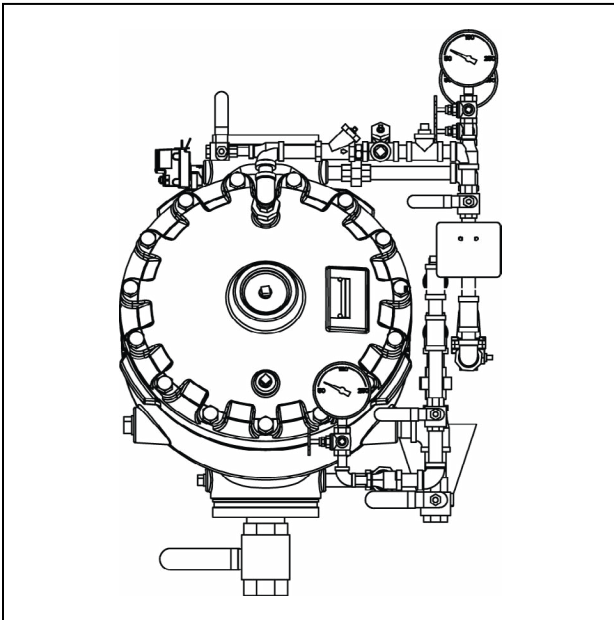


TECHNICAL DATA

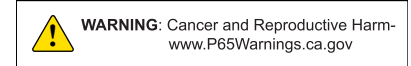
PILOT REGULATING FLOW CONTROL TRIM

6" (DN150) MODEL J
FLOW CONTROL VALVE

The Viking Corporation, 210 N Industrial Park Drive, Hastings MI 49058
 Telephone: 269-945-9501 Technical Services: 877-384-5464 Fax: 269-818-1680 Email: techsvcs@vikingcorp.com
 Visit the Viking website for the latest edition of this technical data page: www.vikinggroupinc.com



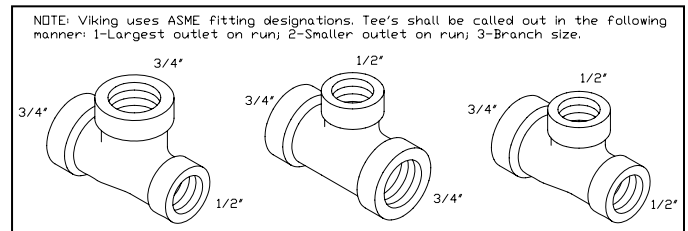
This Trim Chart is for use with the following Viking Trim Sets			
Valve Size	Galvanized Trim Part No.	Brass Trim Part No.	Stainless Steel Part No.
6" (DN100)	26553-1	26553-2	26553-3
This trim is for use with the following Release Module Trim Kits			
Release Type	Galvanized	Brass	Stainless Steel
Electric	10830	10832	10831
Note: Nipple lengths for brass trim may vary from those shown on this Trim Chart.			



Notes: For use with Trim Charts on Pages 2 and 3

General Notes:

- Valve must be trimmed as shown. Any deviation from trim size or arrangement may affect the proper operation of the valve.
- Dimensions in parenthesis are millimeters.
- Viking uses ANSI tee designations (large outlet on run, small outlet on run, side outlet) in all trim call-outs.



Note 1: Release System connection.

Note 2: Alarm Connections: Connect alarm line piping to 3/4" (20 mm) NPT outlet. When using a Water Motor Alarm, a strainer is required. 1/2" (15 mm) NPT outlet is for electric Alarm Pressure Switch.

Note 3: Optional non-interruptible connection for Alarm Pressure Switch to activate electric alarm panel. Note: After the Deluge Valve trips, this location cannot be shut off. Alarms may operate until the outlet chamber of the deluge valve is de-pressurized below the set point of the Alarm Pressure Switch.

Note 4: Viking Drain Check Valve is manufactured with a 0.067" (1.7 mm) orifice to allow alarm line to drain. Do not substitute. Check label for proper orientation.



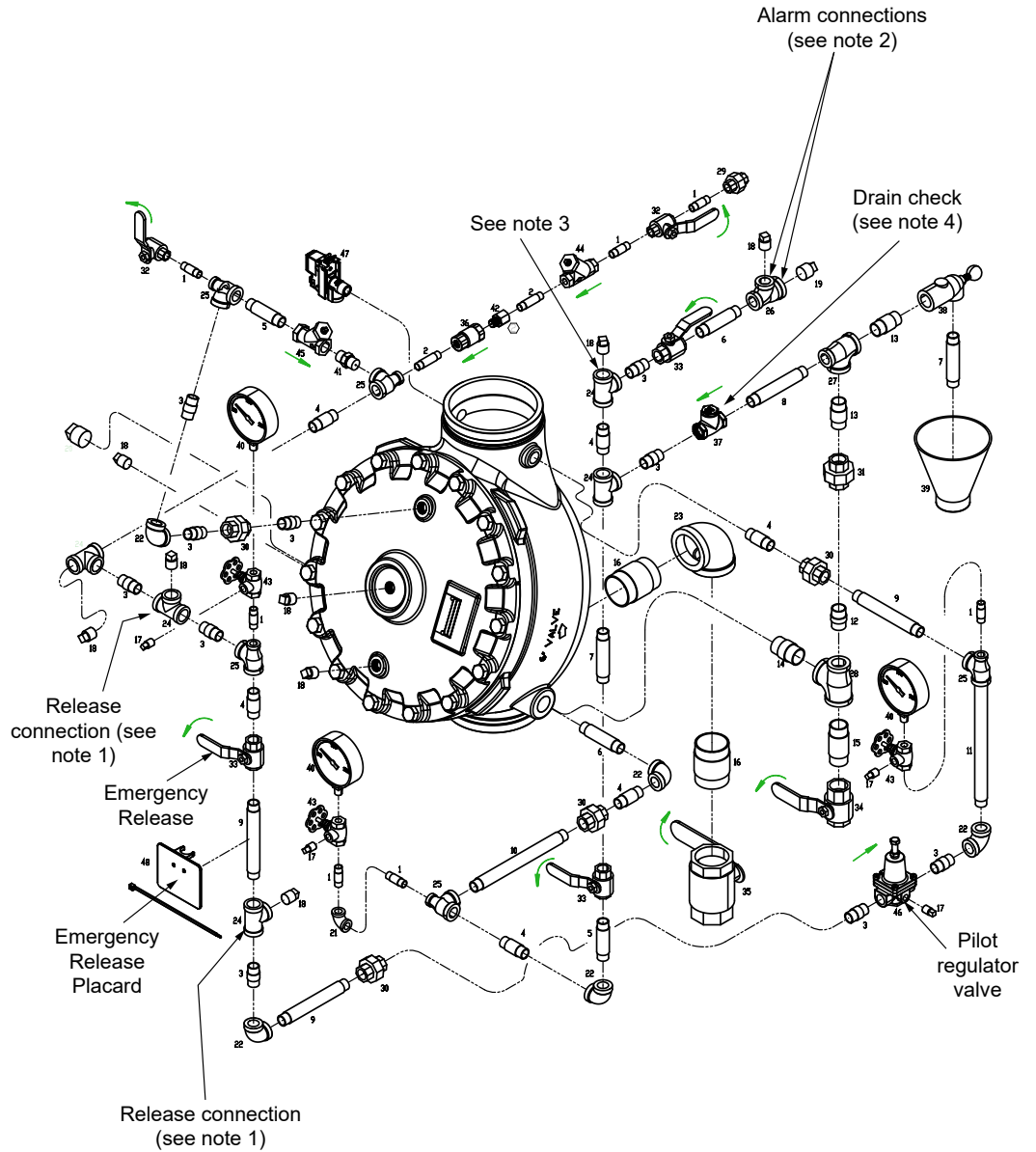
TECHNICAL DATA

PILOT REGULATING FLOW CONTROL TRIM 6" (DN150) MODEL J FLOW CONTROL VALVE

The Viking Corporation, 210 N Industrial Park Drive, Hastings MI 49058

Telephone: 269-945-9501 Technical Services: 877-384-5464 Fax: 269-818-1680 Email: techsvcs@vikingcorp.com
Visit the Viking website for the latest edition of this technical data page: www.vikinggroupinc.com

ITEM	BOM DESCRIPTION	REQ.
1	NIPPLE, 1/4" X 1-1/2"	7
2	NIPPLE, 1/4" X 2"	2
3	NIPPLE, 1/2" X 1-1/2"	10
4	NIPPLE, 1/2" X 2"	6
5	NIPPLE, 1/2" X 3"	2
6	NIPPLE, 1/2" X 3-1/2"	2
7	NIPPLE, 1/2" X 4"	2
8	NIPPLE, 1/2" X 5"	1
9	NIPPLE, 1/2" X 6"	3
10	NIPPLE, 1/2" X 8-1/2"	1
11	NIPPLE, 1/2" X 10-1/2"	1
12	NIPPLE, 3/4" X 1-1/2"	1
13	NIPPLE, 3/4" X 2"	2
14	NIPPLE, 1" X 2"	1
15	NIPPLE, 1" X 3"	1
16	NIPPLE, 2" X 3"	2
17	PLUG, 1/4"	4
18	PLUG, 1/2"	8
19	PLUG, 3/4"	1
20	PLUG, 1"	1
21	ELBOW, 1/4"	1
22	ELBOW, 1/2"	5
23	ELBOW, 2"	1
24	TEE, 1/2"	5
25	TEE, 1/2" X 1/4" X 1/2"	5
26	TEE, 3/4" X 1/2" X 1/2"	1
27	TEE, 3/4" X 1/2" X 3/4"	1
28	TEE, 1" X 3/4" X 1"	1
29	UNION, 1/4"	1
30	UNION, 1/2"	4
31	UNION, 3/4"	1
32	BALL VALVE, 1/4"	2
33	BALL VALVE, 1/2"	3
34	BALL VALVE, 1"	1
35	BALL VALVE, 2"	1
36	CHECK VALVE, 1/4"	1
37	DRAIN CHECK VALVE	1
38	DRIP CHECK	1
39	DRAIN CUP	1
40	PRESSURE GAUGE, WATER	3
41	RESTRICTION, .0625	1
42	RESTRICTION, 1/16"	1
43	SIDE OUTLET VALVE, 1/4"	3
44	STRAINER, 1/4"	1
45	STRAINER, 1/2"	1
46	PILOT PRESSURE REGULATOR	1
47	PRESSURE RELIEF VALVE	1
48	EMERGENCY RELEASE TAG KIT	1



Refer to page 1 for
General Notes and
Notes 1 through 4.

Order Flow Control Valve
Separately

Figure 1
6" Pilot Regulating Trim for Model J Flow Control Valve
(Part Numbers 26553-1 and 26553-2)



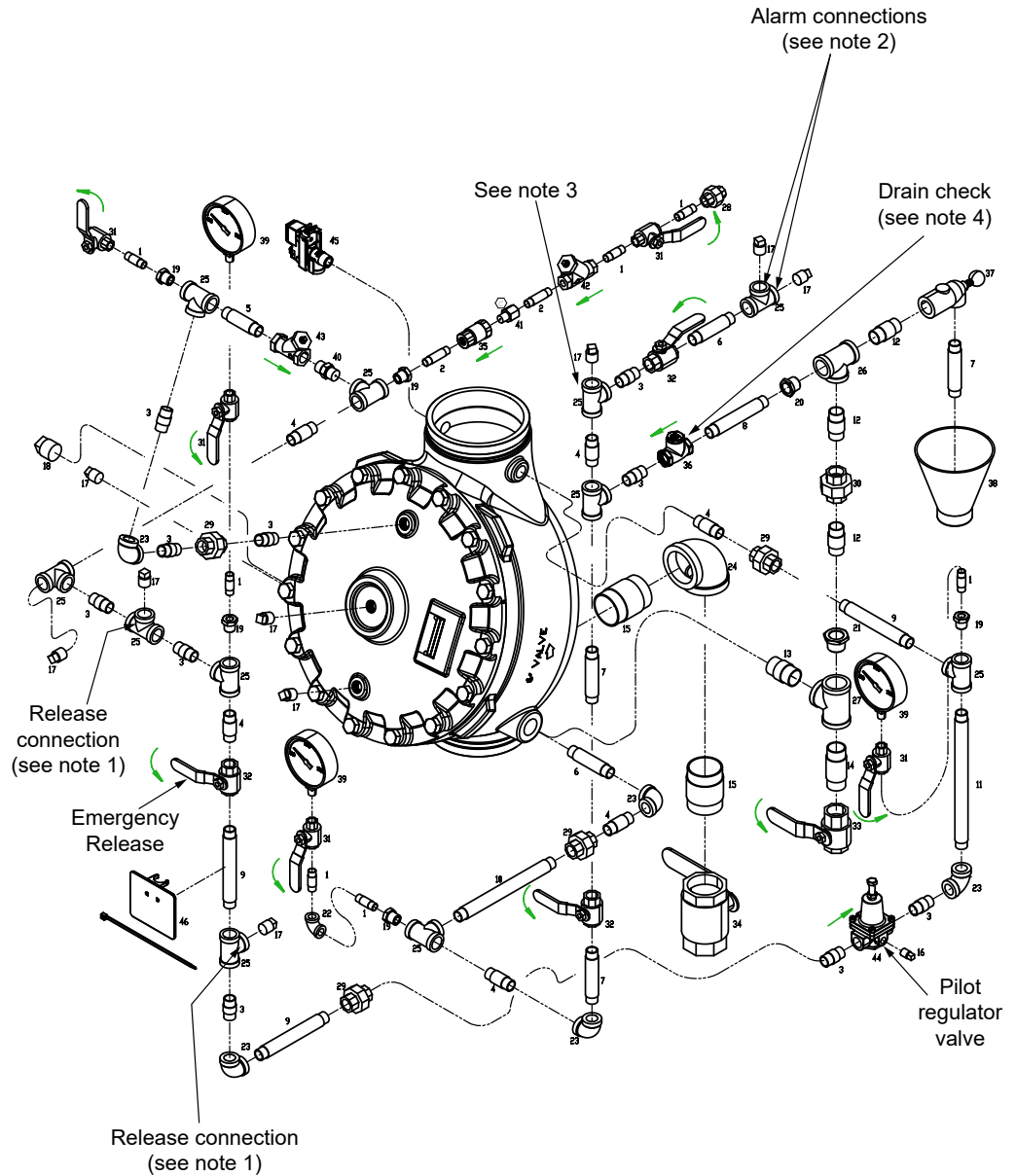
TECHNICAL DATA

PILOT REGULATING FLOW CONTROL TRIM 6" (DN150) MODEL J FLOW CONTROL VALVE

The Viking Corporation, 210 N Industrial Park Drive, Hastings MI 49058

Telephone: 269-945-9501 Technical Services: 877-384-5464 Fax: 269-818-1680 Email: techsvcs@vikingcorp.com
Visit the Viking website for the latest edition of this technical data page: www.vikinggroupinc.com

ITEM	BOM DESCRIPTION	REQ.
1	NIPPLE, 1/4" X 1-1/2"	7
2	NIPPLE, 1/4" X 2"	2
3	NIPPLE, 1/2" X 1-1/2"	10
4	NIPPLE, 1/2" X 2"	6
5	NIPPLE, 1/2" X 3"	1
6	NIPPLE, 1/2" X 3-1/2"	2
7	NIPPLE, 1/2" X 4"	3
8	NIPPLE, 1/2" X 5"	1
9	NIPPLE, 1/2" X 6"	3
10	NIPPLE, 1/2" X 8-1/2"	1
11	NIPPLE, 1/2" X 10-1/2"	1
12	NIPPLE, 3/4" X 2"	3
13	NIPPLE, 1" X 2"	1
14	NIPPLE, 1" X 3"	1
15	NIPPLE, 2" X 3"	2
16	PLUG, 1/4"	1
17	PLUG, 1/2"	9
18	PLUG, 1"	1
19	REDUCING BUSHING, 1/2" X 1/4"	5
20	REDUCING BUSHING, 3/4" X 1/2"	1
21	REDUCING BUSHING, 1" X 3/4"	1
22	ELBOW, 1/4"	1
23	ELBOW, 1/2"	5
24	ELBOW, 2"	1
25	TEE, 1/2"	11
26	TEE, 3/4"	1
27	TEE, 1"	1
28	UNION, 1/4"	1
29	UNION, 1/2"	4
30	UNION, 3/4"	1
31	BALL VALVE, 1/4"	5
32	BALL VALVE, 1/2"	3
33	BALL VALVE, 1"	1
34	BALL VALVE, 2"	1
35	CHECK VALVE, 1/4"	1
36	DRAIN CHECK VALVE	1
37	DRIP CHECK	1
38	DRAIN CUP	1
39	PRESSURE GAUGE, WATER	3
40	RESTRICTION, .0625	1
41	RESTRICTION, 1/16"	1
42	STRAINER, 1/4"	1
43	STRAINER, 1/2"	1
44	PILOT PRESSURE REGULATOR	1
45	PRESSURE RELIEF VALVE	1
46	EMERGENCY RELEASE TAG KIT	1



Refer to page 1 for
General Notes and
Notes 1 through 4.

Order Flow Control Valve
Separately

Figure 2
6" Pilot Regulating Trim for Model J Flow Control Valve
(Part Numbers 26553-3)



TECHNICAL DATA

PILOT REGULATING FLOW CONTROL TRIM

6" (DN150) MODEL J
FLOW CONTROL VALVE

The Viking Corporation, 210 N Industrial Park Drive, Hastings MI 49058
 Telephone: 269-945-9501 Technical Services: 877-384-5464 Fax: 269-818-1680 Email: techsvcs@vikingcorp.com
 Visit the Viking website for the latest edition of this technical data page: www.vikinggroupinc.com

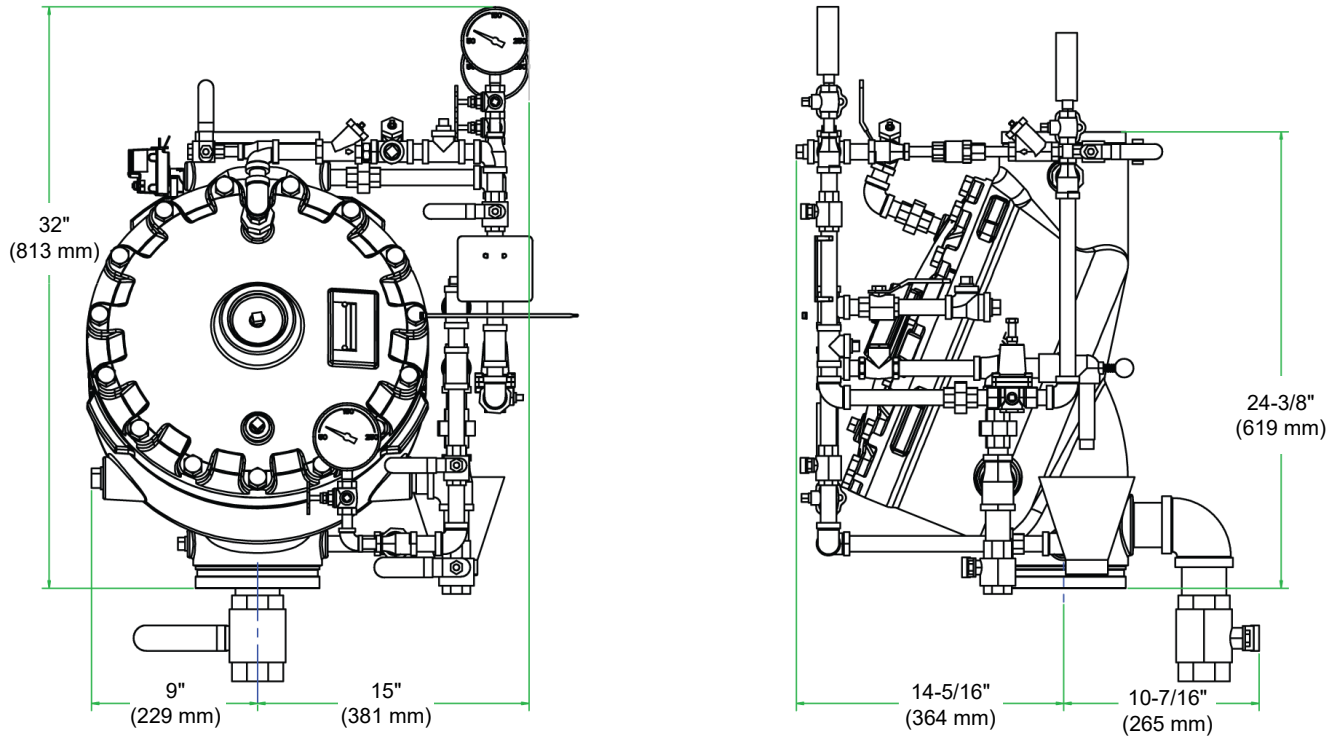


Figure 3 - Installation Dimensions