

EA-1 ACCELERATOR TRIM CHART

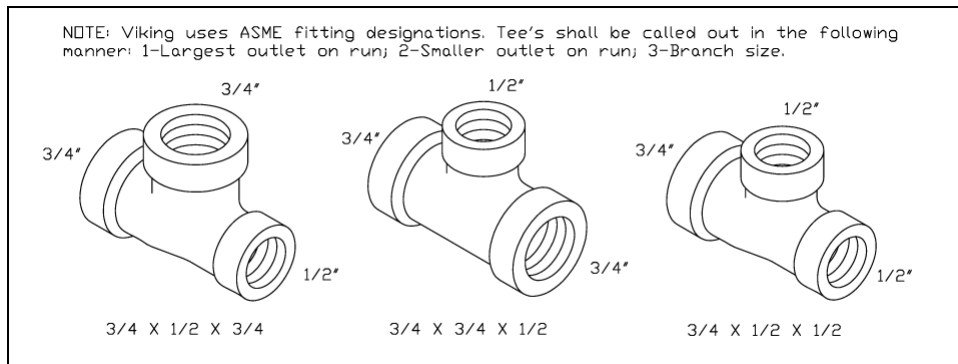
Model VXD Double Interlock Preaction System with Electric/Pneumatic Release - PTR



| | |
|--|-------------------------|
| This trim chart is for use with the following Viking trim: | |
| Valve Size | Trim Part Number |
| 4" (DN100) | 26680 |
| | 28236* |
| <small>*This system configuration consists of a monitored release solenoid. The monitored solenoid is a new option, which offers an NFPA 13 solenoid monitoring-compliant solution. For more information, refer to F_031225.</small> | |
| This trim is for use with the following accessories: | |
| VFR 500 Release Control Panel | 26107 |
| CoilKeeper** | 1010500 |
| <small>**Used on trim with a non-monitored solenoid only.</small> | |

General Notes:

- Valve must be trimmed as shown. Any deviation from trim size or arrangement may affect the proper operation of the valve.
- All pipe, 3/4" (20 mm) and smaller, shall be galvanized steel, except when other materials are specified in the Technical Data for the system used.
- Viking uses ASME fitting designations. Tees shall be called out in the following order: 1 - Largest outlet on run; 2 - Smaller outlet on run; 3 - Branch size.





TRIM SHEET

EA-1 ACCELERATOR TRIM

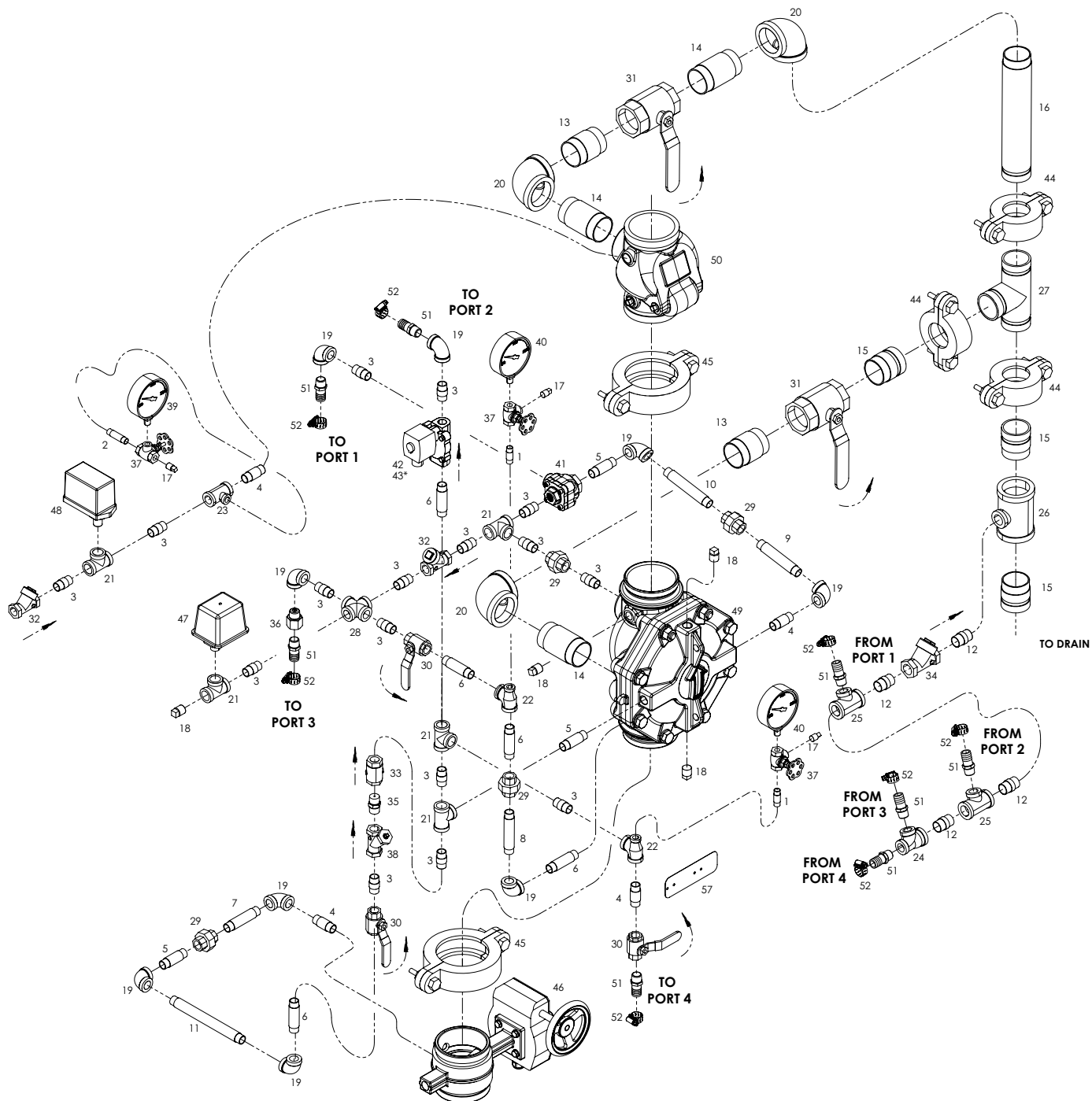


Figure - 1: 4" VXD System (PTR) with EA-1



TRIM SHEET

EA-1 ACCELERATOR TRIM

| Item | Pre-trimmed riser Description | Qty |
|------|--------------------------------------|-----|
| 1 | Nipple, 1/4" x 1-1/2" | 2 |
| 2 | Nipple, 1/4" x 2" | 1 |
| 3 | Nipple, 1/2" x 1-1/2" | 16 |
| 4 | Nipple, 1/2" x 2" | 4 |
| 5 | Nipple, 1/2" x 2-1/2" | 3 |
| 6 | Nipple, 1/2" x 3" | 5 |
| 7 | Nipple, 1/2" x 3-1/2" | 1 |
| 8 | Nipple, 1/2" x 4" | 1 |
| 9 | Nipple, 1/2" x 4-1/2" | 1 |
| 10 | Nipple, 1/2" x 5" | 1 |
| 11 | Nipple, 1/2" x 8" | 1 |
| 12 | Nipple, 3/4" x 1-1/2" | 4 |
| 13 | Nipple, 2" x 3" | 2 |
| 14 | Nipple, 2" x 4" | 3 |
| 15 | Thread x grooved nipple, 2" x 2-1/2" | 3 |
| 16 | Thread x grooved nipple, 2" x 12" | 1 |
| 17 | Plug, 1/4" | 3 |
| 18 | Plug, 1/2" | 4 |
| 19 | Elbow, 1/2" | 9 |
| 20 | Elbow, 2" | 3 |
| 21 | Tee, 1/2" | 5 |
| 22 | Tee, 1/2" x 1/4" x 1/2" | 2 |
| 23 | Tee, 1/2" x 1/2" x 1/4" | 1 |
| 24 | Tee, 3/4" x 1/2" x 1/2" | 1 |
| 25 | Tee, 3/4" x 3/4" x 1/2" | 2 |
| 26 | Tee, 2" x 2" x 3/4" | 1 |
| 27 | Grooved tee, 2" | 1 |
| 28 | Cross, 1/2" | 1 |
| 29 | Union, 1/2" | 4 |

| Item | Description | Qty |
|------|---|-----|
| 30 | Ball valve, 1/2" | 3 |
| 31 | Ball valve, 2" | 2 |
| 32 | Check valve, swing, 1/2" | 2 |
| 33 | Check valve, inline, 1/2" | 1 |
| 34 | Check valve, swing, 3/4" | 1 |
| 35 | Restriction, 1/8" | 1 |
| 36 | Restriction | 1 |
| 37 | Side outlet valve, 1/4" | 3 |
| 38 | Strainer, 1/2" | 1 |
| 39 | Pressure gauge, air | 1 |
| 40 | Pressure gauge, water | 2 |
| 41 | P.O.R.V. assembly | 1 |
| 42 | Monitored or non-monitored solenoid valve, N.C | 1 |
| 43 | CoilKeeper supervisory switch (for non-monitored solenoid only) *not shown | 1 |
| 44 | Grooved coupling, 2" | 3 |
| 45 | Grooved coupling, 4" | 2 |
| 46 | Butterfly valve (4", XBFV-T) | 1 |
| 47 | Switch, alarm | 1 |
| 48 | EA-1 Accelerator | 1 |
| 49 | Valve Assembly | 1 |
| 50 | Check valve, 4" | 1 |
| 51 | Hose barb | 8 |
| 52 | Hose clamp | 8 |
| 53 | Hose port 1 (12") | 1 |
| 54 | Hose port 2 (31-1/2") | 1 |
| 55 | Hose port 3 (13 ") | 1 |
| 56 | Hose port 4 (24") | 1 |
| 57 | Data plate, emergency release | 1 |