

EA-1 ACCELERATOR TRIM CHART

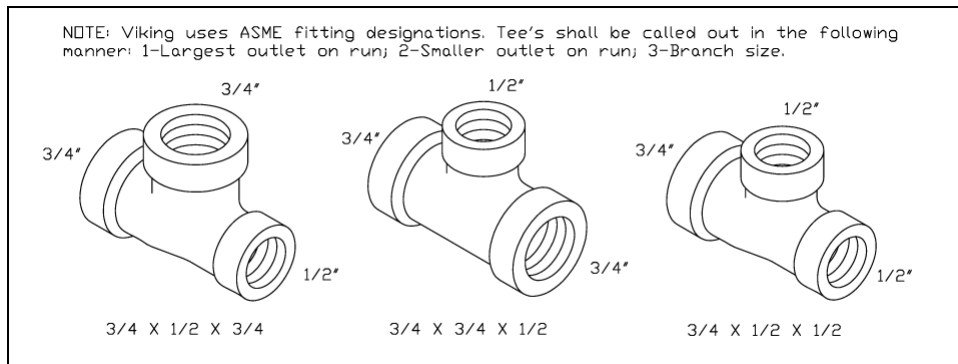
Model VXD Double Interlock Preaction System with Electric/Pneumatic Release - PTR



This trim chart is for use with the following Viking trim:	
Valve Size	Trim Part Number
6" (DN150)	26682
	28237*
*This system configuration consists of a monitored release solenoid. The monitored solenoid is a new option, which offers an NFPA 13 solenoid monitoring-compliant solution. For more information, refer to F_031225.	
This trim is for use with the following accessories:	
VFR 500 Release Control Panel	26107
CoilKeeper**	1010500
**Used on trim with a non-monitored solenoid only.	

General Notes:

- Valve must be trimmed as shown. Any deviation from trim size or arrangement may affect the proper operation of the valve.
- All pipe, 3/4" (20 mm) and smaller, shall be galvanized steel, except when other materials are specified in the Technical Data for the system used.
- Viking uses ASME fitting designations. Tees shall be called out in the following order: 1 - Largest outlet on run; 2 - Smaller outlet on run; 3 - Branch size.





TRIM SHEET

EA-1 ACCELERATOR TRIM

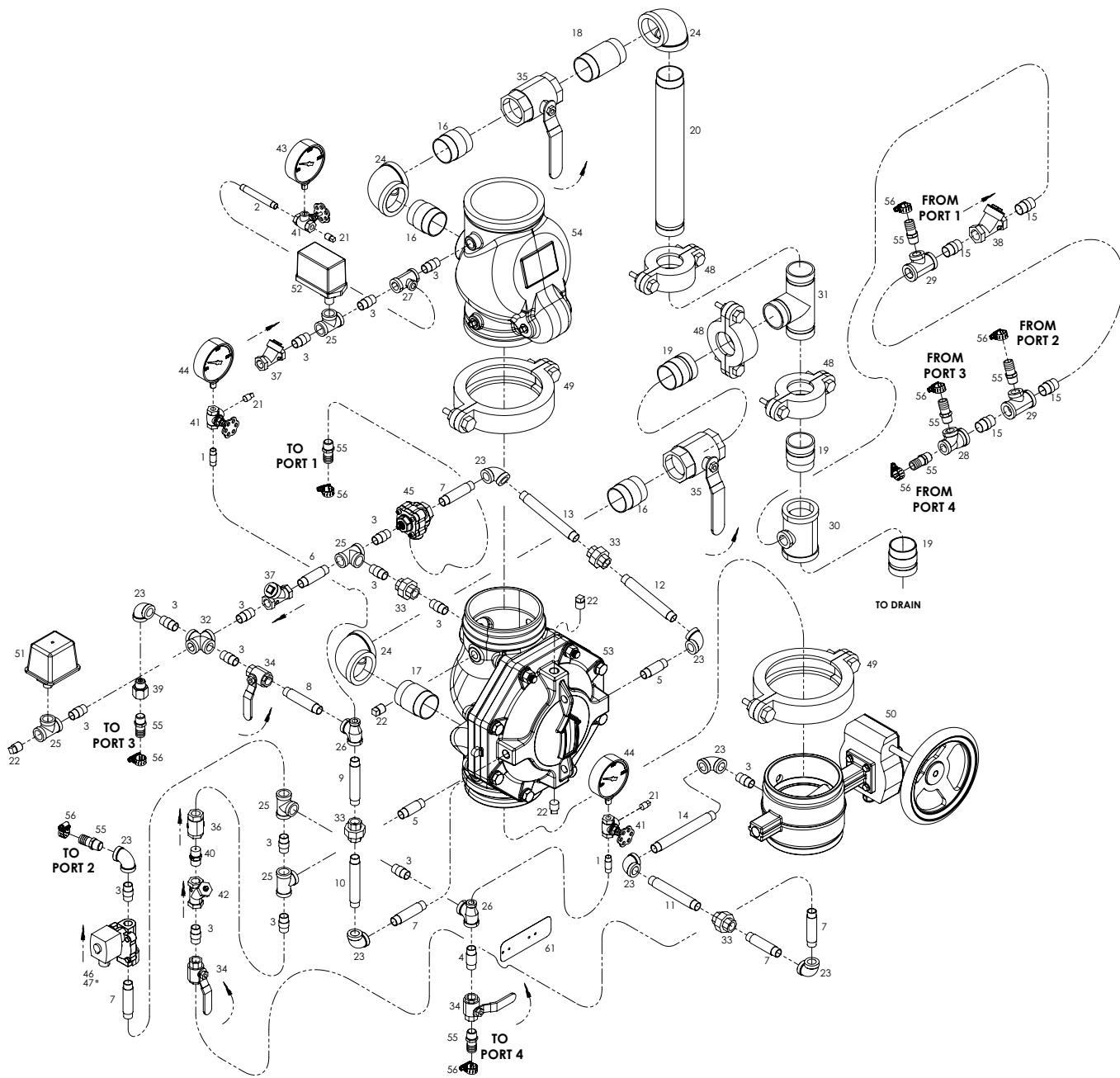


Figure - 1: 6" VXD System (PTR) with EA-1



TRIM SHEET

EA-1 ACCELERATOR TRIM

Item	Description	Qty
1	Nipple, 1/4" x 1-1/2"	2
2	Nipple, 1/4" x 4"	1
3	Nipple, 1/2" x 1-1/2"	16
4	Nipple, 1/2" x 2"	1
5	Nipple, 1/2" x 2-1/2"	2
6	Nipple, 1/2" x 3"	1
7	Nipple, 1/2" x 3-1/2"	5
8	Nipple, 1/2" x 4"	1
9	Nipple, 1/2" x 4-1/2"	1
10	Nipple, 1/2" x 5"	1
11	Nipple, 1/2" x 5-1/2"	1
12	Nipple, 1/2" x 6"	1
13	Nipple, 1/2" x 6-1/2"	1
14	Nipple, 1/2" x 7"	1
15	Nipple, 3/4" x 1-1/2"	4
16	Nipple, 2" x 2-1/2"	3
17	Nipple, 2" x 3"	1
18	Nipple, 2" x 4"	1
19	Thread x grooved nipple, 2" x 2-1/2"	3
20	Thread x grooved nipple, 2" x 16"	1
21	Plug, 1/4"	3
22	Plug, 1/2"	4
23	Elbow, 1/2"	8
24	Elbow, 2"	3
25	Tee, 1/2"	5
26	Tee, 1/2" x 1/4" x 1/2"	2
27	Tee, 1/2" x 1/2" x 1/4"	1
28	Tee, 3/4" x 1/2" x 1/2"	1
29	Tee, 3/4" x 3/4" x 1/2"	2
30	Tee, 2" x 2" x 3/4"	1
31	Grooved tee, 2"	1

Item	Description	Qty
32	Cross, 1/2"	1
33	Union, 1/2"	4
34	Ball valve, 1/2"	3
35	Ball valve, 2"	2
36	Check valve, inline, 1/2"	1
37	Check valve, swing, 1/2"	2
38	Check valve, swing, 3/4"	1
39	Restriction	1
40	Restriction, 1/8"	1
41	Side outlet valve, 1/4"	3
42	Strainer, 1/2"	1
43	Pressure gauge, air	1
44	Pressure gauge, water	2
45	P.O.R.V. assembly	1
46	Monitored or Non-Monitored Solenoid valve, N.C	1
47	CoilKeeper Supervisory Switch(with non-monitored solenoid only) *not shown	1
48	Grooved coupling, 2"	3
49	Grooved coupling, 6"	2
50	Butterfly valve, 6", XBFV-T	1
51	Switch, alarm	1
52	EA-1 accelerator	1
53	Valve assembly	1
54	Check valve, 6"	1
55	Hose barb	8
56	Hose clamp	8
57	Hose	1
58	Hose	1
59	Hose	1
60	Hose	1
61	Data plate, emergency release	1