



**EA-1 ACCELERATOR TRIM CHART**

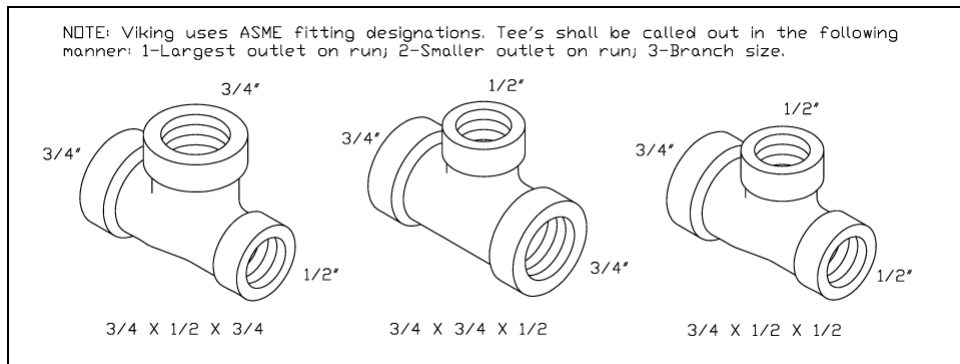
**Model VXD Double Interlock Preaction System with Electric/Pneumatic Release - PTR**



<b>This trim chart is for use with the following Viking trim sets</b>	
Valve Size	Trim Part Number
8" (DN200)	26684
	28238*
*This system configuration consists of a monitored release solenoid. The monitored solenoid is a new option, which offers an NFPA 13 solenoid monitoring-compliant solution. For more information, refer to F_031225.	
<b>This trim is for use with the following accessories:</b>	
VFR 500 Release Control Panel	26107
CoilKeeper**	1010500
**Used on trim with a non-monitored solenoid only.	

**General Notes:**

- Valve must be trimmed as shown. Any deviation from trim size or arrangement may affect the proper operation of the valve.
- All pipe, 3/4" (20 mm) and smaller, shall be galvanized steel, except when other materials are specified in the Technical Data for the system used.
- Viking uses ASME fitting designations. Tees shall be called out in the following order: 1 - Largest outlet on run; 2 - Smaller outlet on run; 3 - Branch size.





TRIM SHEET

EA-1 ACCELERATOR TRIM

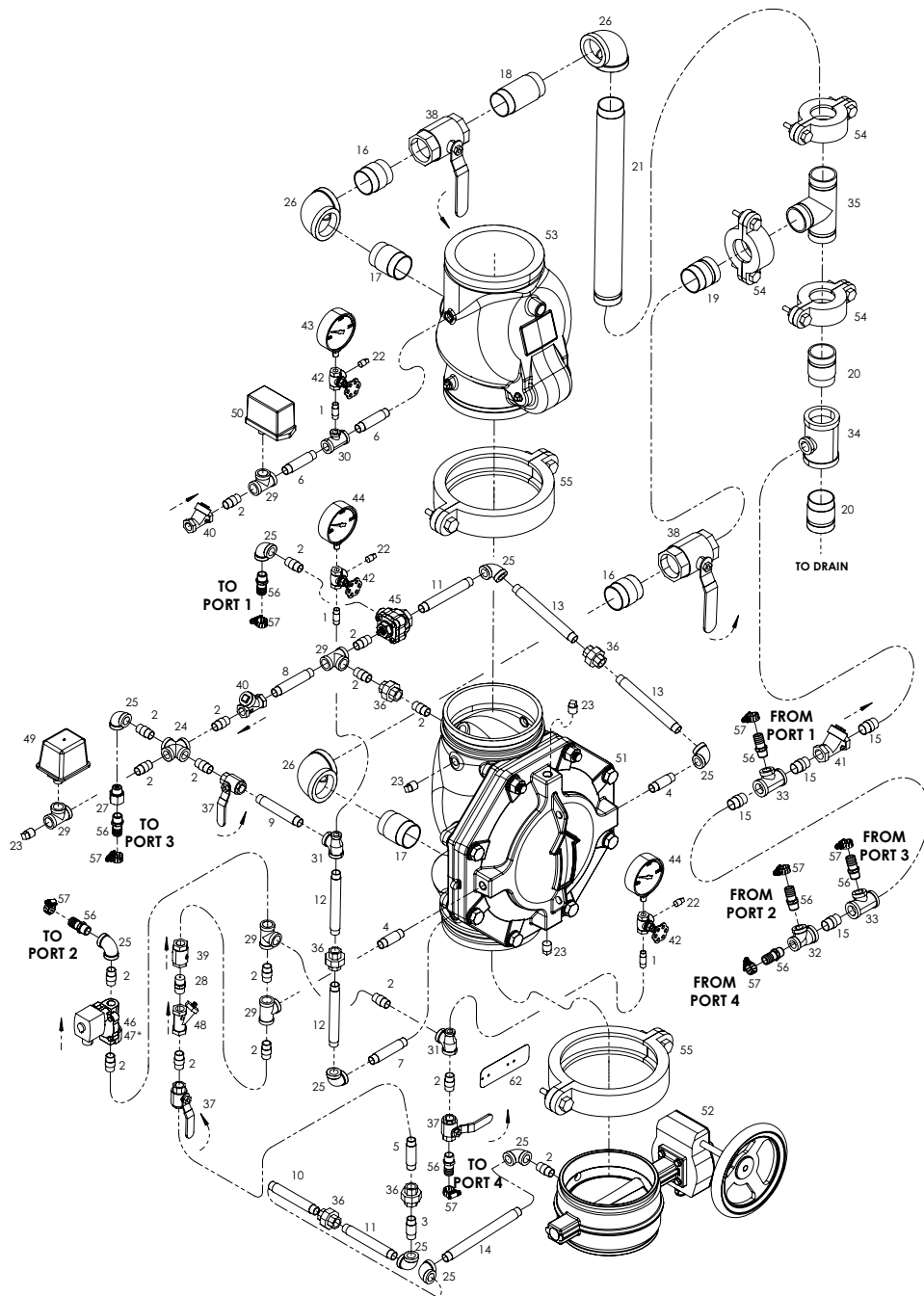


Figure - 1: 8" VXD System (PTR) with EA-1



## TRIM SHEET

## EA-1 ACCELERATOR TRIM

Item	Description	Qty
1	Nipple, 1/4" x 1-1/2"	3
2	Nipple, 1/2" x 1-1/2"	17
3	Nipple, 1/2" x 2"	1
4	Nipple, 1/2" x 2-1/2"	2
5	Nipple, 1/2" x 3"	1
6	Nipple, 1/2" x 3-1/2"	2
7	Nipple, 1/2" x 4"	1
8	Nipple, 1/2" x 4-1/2"	1
9	Nipple, 1/2" x 5"	1
10	Nipple, 1/2" x 5-1/2"	1
11	Nipple, 1/2" x 6"	2
12	Nipple, 1/2" x 6-1/2"	2
13	Nipple, 1/2" x 7-1/2"	2
14	Nipple, 1/2" x 9"	1
15	Nipple, 3/4" x 1-1/2"	4
16	Nipple, 2" x 2-1/2"	2
17	Nipple, 2" x 3"	2
18	Nipple, 2" x 4-1/2"	1
19	Thread x grooved nipple, 2" x 2-1/2"	1
20	Thread x grooved nipple, 2" x 3"	2
21	Thread x grooved nipple, 2" x 20-1/2"	1
22	Plug, 1/4"	3
23	Plug, 1/2"	4
24	Cross, 1/2"	1
25	Elbow, 1/2"	9
26	Elbow, 2"	3
27	Restriction	1
28	Restriction, 1/8"	1
29	Tee, 1/2"	5
30	Tee, 1/2" x 1/2" x 1/4"	1
31	Tee, 1/2" x 1/4" x 1/2"	2

Item	Description	Qty
32	Tee, 3/4" x 1/2" x 1/2"	1
33	Tee, 3/4" x 3/4" x 1/2"	2
34	Tee, 2" x 2" x 3/4"	1
35	Grooved tee, 2"	1
36	Union, 1/2"	5
37	Ball valve, 1/2"	3
36	Ball valve, 2"	2
39	Check valve, inline, 1/2"	1
40	Check valve, swing, 1/2"	2
41	Check valve, swing, 3/4"	1
42	Side outlet valve, 1/4"	3
43	Pressure gauge, air	1
44	Pressure gauge, water	2
45	P.O.R.V. assembly	1
46	Monitored or non-monitored solenoid valve, N.C	1
47	CoilKeeper supervisory switch (with non-monitored solenoid only) *not shown	1
48	Strainer, 1/2"	1
49	Switch, alarm	1
50	EA-1 accelerator	1
51	Valve assembly	1
52	Butterfly valve, 8", XBFV-T	1
53	Check valve, 8"	1
54	Grooved coupling, 2"	3
55	Grooved coupling, 8"	2
56	Hose barb	8
57	Hose clamp	8
58	Hose, port 1 (19-3/4")	1
59	Hose, port 2 (34")	1
60	Hose, port 3 (20")	1
61	Hose, port 4 (28-3/4")	1
62	Data plate, emergency release	1