

EA-1 ACCELERATOR TRIM CHART

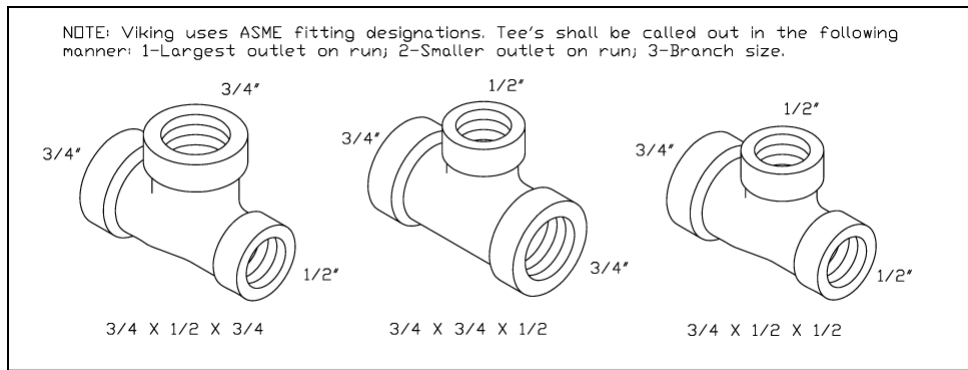
Model VXD Double Interlock Preaction System with Electric/Pneu-Lectric Release - Loose Trim



This trim chart is for use with the following Viking trim:		
Valve Size	Trim Part Numbers	
8" (DN200)	Galv.	Brass
	27467-1	27467-2
	28243-1*	28243-2*
<small>*This system configuration consists of a monitored release solenoid. The monitored solenoid is a new option, which offers an NFPA 13 solenoid monitoring-compliant solution. For more information, refer to F_031225.</small>		
This trim is for use with the following accessories:		
VFR 500 Release Control Panel	26107	
CoilKeeper**	1010500	
<small>**Used on trim with a non-monitored solenoid only.</small>		

General Notes:

- Valve must be trimmed as shown. Any deviation from trim size or arrangement may affect the proper operation of the valve.
- All pipe, 3/4" (20 mm) and smaller, shall be galvanized steel, except when other materials are specified in the Technical Data for the system used.
- Viking uses ASME fitting designations. Tees shall be called out in the following order: 1 - Largest outlet on run; 2 - Smaller outlet on run; 3 - Branch size.





TRIM SHEET

EA-1 ACCELERATOR TRIM

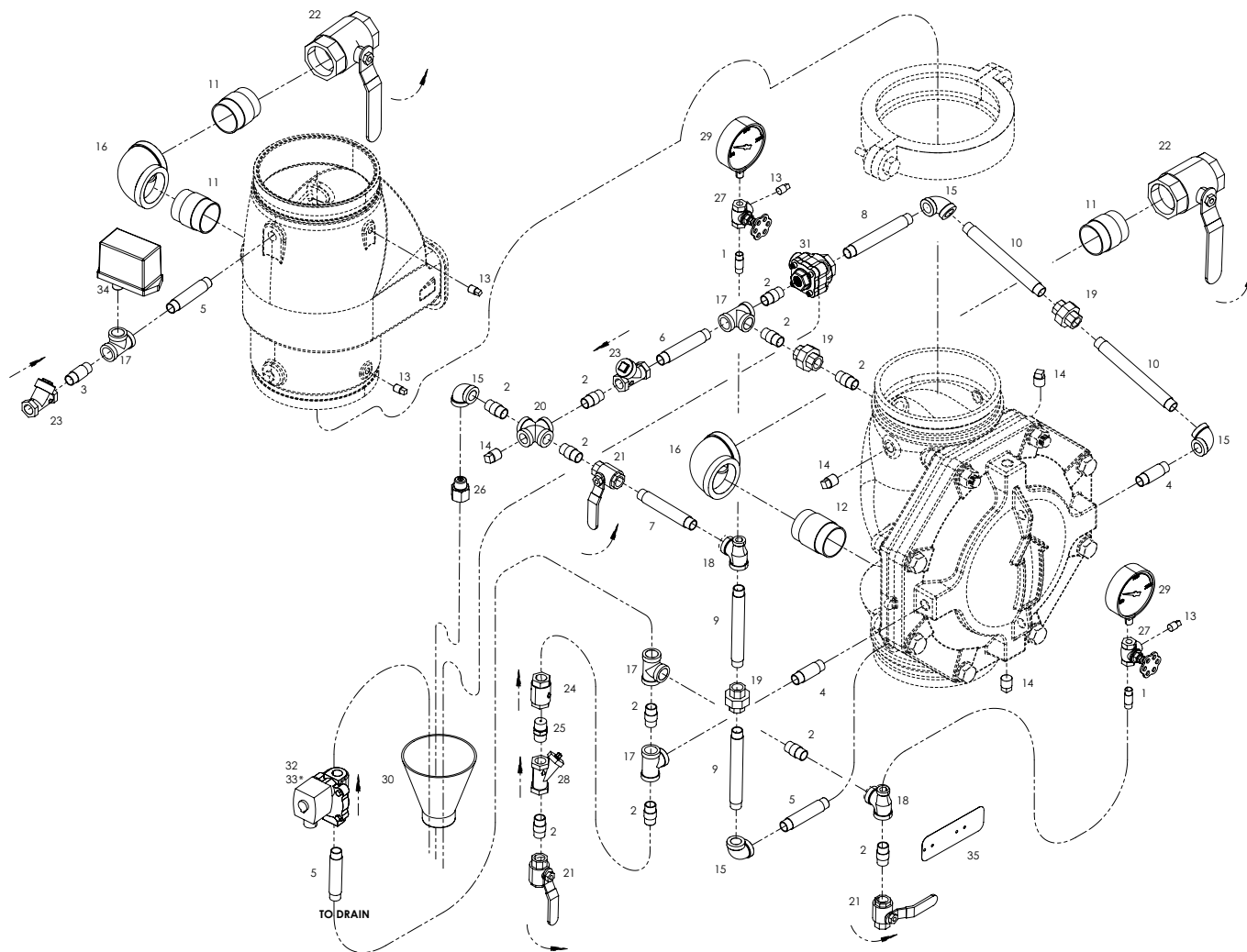


Figure – 1: 8" VXD System Components (Loose) with EA-1



TRIM SHEET

EA-1 ACCELERATOR TRIM

Item	Description	Qty
1	Nipple, 1/4" x 1-1/2"	2
2	Nipple, 1/2" x 1-1/2"	11
3	Nipple, 1/2" x 2"	1
4	Nipple, 1/2" x 2-1/2"	2
5	Nipple, 1/2" x 4"	3
6	Nipple, 1/2" x 4-1/2"	1
7	Nipple, 1/2" x 5"	1
8	Nipple, 1/2" x 6"	1
9	Nipple, 1/2" x 6-1/2"	2
10	Nipple, 1/2" x 7-1/2"	2
11	Nipple, 2" x 2-1/2"	3
12	Nipple, 2" x 3"	1
13	Plug, 1/4"	4
14	Plug, 1/2"	4
15	Elbow, 1/2"	4
16	Elbow, 2"	2
17	Tee, 1/2"	4
18	Tee, 1/2" x 1/4" x 1/2"	2

Item	Description	Qty
19	Union, 1/2"	3
20	Cross, 1/2"	1
21	Ball valve, 1/2"	3
22	Ball valve, 2"	2
23	Check valve, swing, 1/2"	2
24	Check valve, inline, 1/2"	1
25	Restriction, 1/8"	1
26	Restriction	1
27	Side outlet valve, 1/4"	2
28	Strainer, 1/2"	1
29	Pressure gauge, water	2
30	Drain cup	1
31	P.O.R.V. assembly	1
32	Monitored or non-monitored solenoid valve, N.C	1
33	CoilKeeper Supervisory Switch (with non-monitored solenoid only) *not shown	1
34	EA-1 accelerator	1
35	Data plate, emergency release	1