



EA-1 ACCELERATOR TRIM CHART

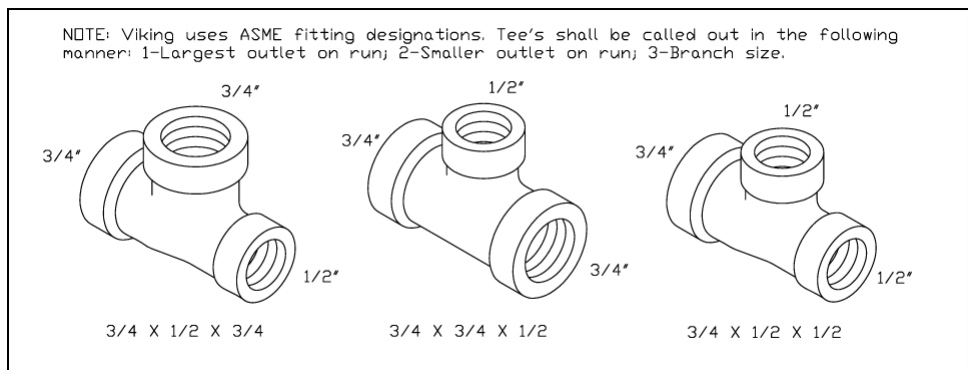
Model VXD Double Interlock Preaction System with Electric/Pneu-Lectric Release - Loose Trim



This trim chart is for use with the following Viking trim:		
Valve Size	Trim Part Numbers	
10" (DN250)	Galv.	Brass
	27469-1	27469-2
	28244-1*	28244-2*
<small>*This system configuration consists of a monitored release solenoid. The monitored solenoid is a new option, which offers an NFPA 13 solenoid monitoring-compliant solution. For more information, refer to F_031225.</small>		
This trim is for use with the following accessories:		
VFR 500 Release Control Panel	26107	
CoilKeeper**	1010500	
<small>**Used on trim with a non-monitored solenoid only.</small>		

General Notes:

- Valve must be trimmed as shown. Any deviation from trim size or arrangement may affect the proper operation of the valve.
- All pipe, 3/4" (20 mm) and smaller, shall be galvanized steel, except when other materials are specified in the Technical Data for the system used.
- Viking uses ASME fitting designations. Tees shall be called out in the following order: 1 - Largest outlet on run; 2 - Smaller outlet on run; 3 - Branch size.





TRIM SHEET

EA-1 ACCELERATOR TRIM

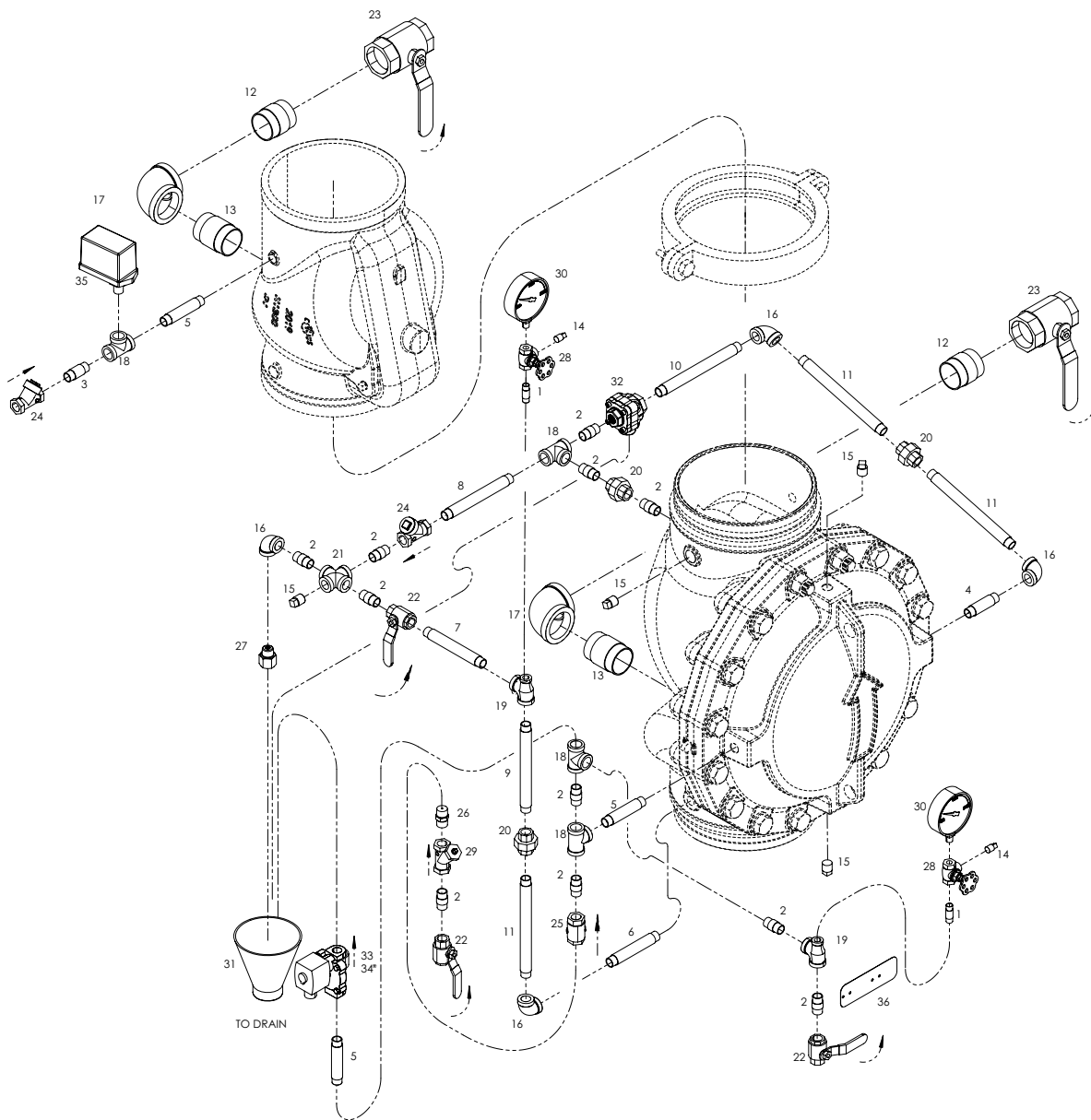


Figure - 1: 10" VXD System Components (Loose) with EA-1



TRIM SHEET

EA-1 ACCELERATOR TRIM

Item	Description	Qty
1	Nipple, 1/4" x 1-1/2"	2
2	Nipple, 1/2" x 1-1/2"	11
3	Nipple, 1/2" x 2"	1
4	Nipple, 1/2" x 3"	1
5	Nipple, 1/2" x 4"	3
6	Nipple, 1/2" x 5"	1
7	Nipple, 1/2" x 6"	1
8	Nipple, 1/2" x 7"	1
9	Nipple, 1/2" x 8"	1
10	Nipple, 1/2" x 8-1/2"	1
11	Nipple, 1/2" x 9"	3
12	Nipple, 2" x 2-1/2"	2
13	Nipple, 2" x 3"	2
14	Plug, 1/4"	2
15	Plug, 1/2"	4
16	Elbow, 1/2"	4
17	Elbow, 2"	2
18	Tee, 1/2"	4

Item	Description	Qty
19	Tee, 1/2" x 1/4" x 1/2"	2
20	Union, 1/2"	3
21	Cross, 1/2"	1
22	Ball valve, 1/2"	3
23	Ball valve, 2"	2
24	Check valve, swing, 1/2"	2
25	Check valve, inline, 1/2"	1
26	Restriction, 1/8"	1
27	Restriction	1
28	Side outlet valve, 1/4"	2
29	Strainer, 1/2"	1
30	Pressure gauge, water	2
31	Drain cup	1
32	P.O.R.V. assembly	1
33	Monitored or non-monitored solenoid valve, N.C	1
34	CoilKeeper supervisory switch (with non-monitored solenoid only) *not shown	1
35	EA-1 accelerator	
36	Data plate, emergency release	1