

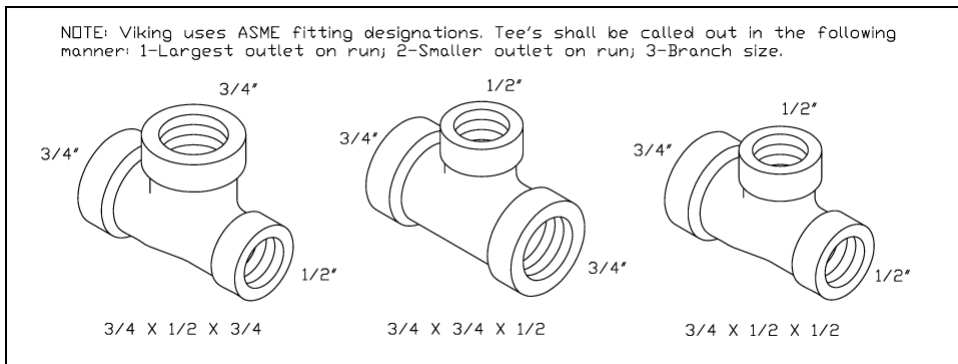
EA-1 ACCELERATOR TRIM CHART
Model VXR Dry Valve System - PTR



This trim chart is for use with the following Viking trim:	
Valve Size	Trim Part Number
4" (DN100)	27343
	28245*
<small>*This system configuration consists of a monitored release solenoid. The monitored solenoid is a new option, which offers an NFPA 13 solenoid monitoring-compliant solution. For more information, refer to F_031225.</small>	
This trim is for use with the following accessories:	
VFR 500 Release Control Panel	26107
CoilKeeper**	1010500
<small>**Used on trim with a non-monitored solenoid only.</small>	

General Notes:

- Valve must be trimmed as shown. Any deviation from trim size or arrangement may affect the proper operation of the valve.
- All pipe, 3/4" (20 mm) and smaller, shall be galvanized steel, except when other materials are specified in the Technical Data for the system used.
- Viking uses ASME fitting designations. Tees shall be called out in the following order: 1 - Largest outlet on run; 2 - Smaller outlet on run; 3 - Branch size.





TRIM SHEET

EA-1 ACCELERATOR TRIM

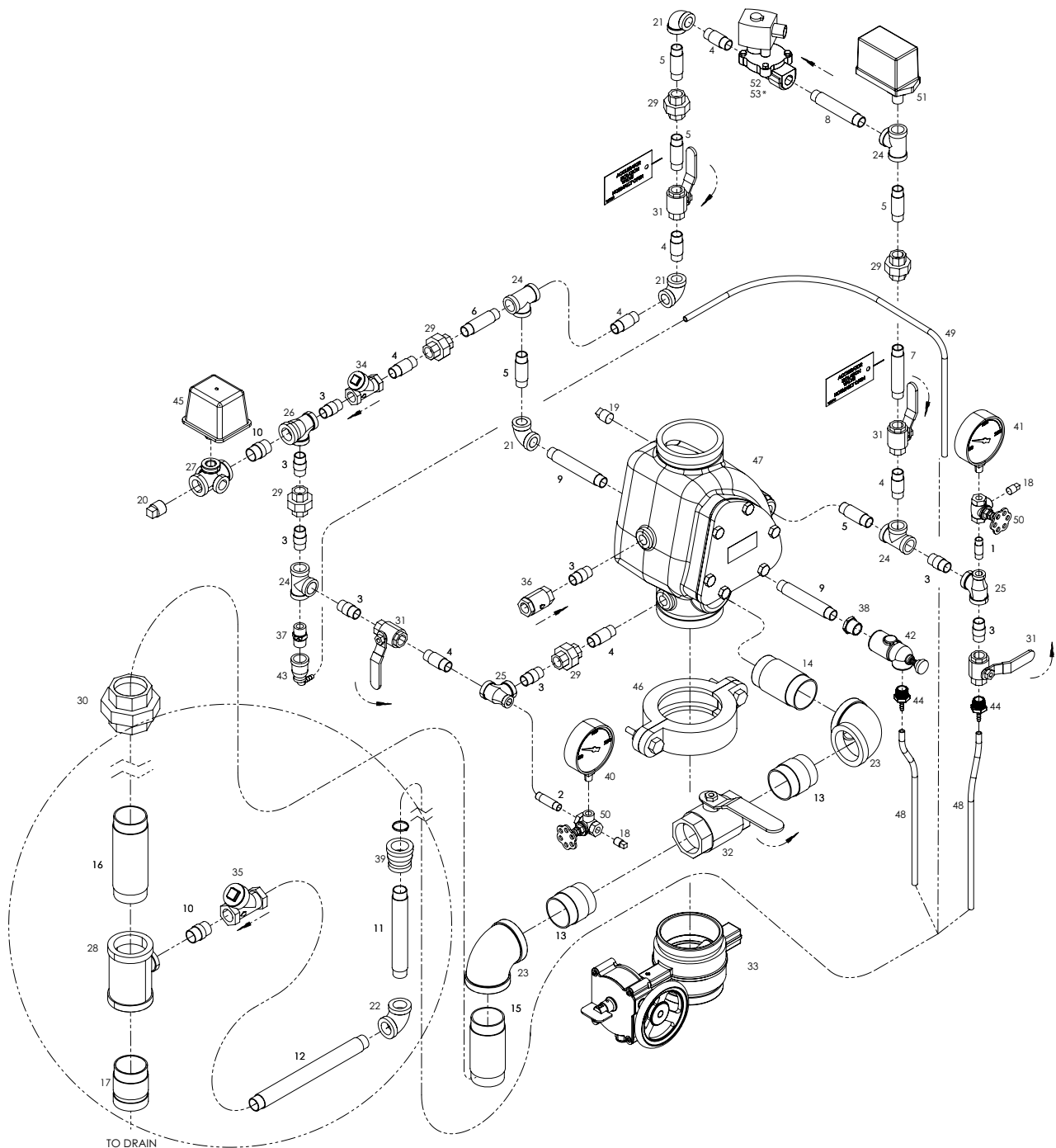


Figure – 1: 4" VXR Dry Valve System (PTR) with EA-1



TRIM SHEET

EA-1 ACCELERATOR TRIM

Item	Description	Qty
1	Nipple, 1/4" x 1-1/2"	1
2	Nipple, 1/4" x 2"	1
3	Nipple, 1/2" x 1-1/2"	8
4	Nipple, 1/2" x 2"	7
5	Nipple, 1/2" x 2-1/2"	5
6	Nipple, 1/2" x 3"	1
7	Nipple, 1/2" x 4"	1
8	Nipple, 1/2" x 4-1/2"	1
9	Nipple, 1/2" x 5"	2
10	Nipple, 3/4" x 1-1/2"	2
11	Nipple, 3/4" x 7"	1
12	Nipple, 3/4" x 10-1/2"	1
13	Nipple, 2" x 2-1/2"	2
14	Nipple, 2" x 4"	1
15	Nipple, 2" x 5"	1
16	Nipple, 2" x 6-1/2"	1
17	Thread x grooved nipple, 2" x 3"	1
18	Plug, 1/4"	2
19	Plug, 1/2"	1
20	Plug, 3/4"	1
21	Elbow, 1/2"	3
22	Elbow, 3/4"	1
23	Elbow, 2"	2
24	Tee, 1/2"	4
25	Tee, 1/2" x 1/4" x 1/2"	2
26	Tee, 3/4" x 1/2" x 1/2"	1
27	Tee, 3/4" x 3/4" x 1/2"	1

Item	Description	Qty
28	Tee, 2" x 2" x 3/4"	1
29	Union, 1/2"	5
30	Union, 2"	1
31	Ball valve, 1/2"	4
32	Ball valve, 2"	1
33	Butterfly valve, 4", XBFV	1
34	Check valve, swing, 1/2"	1
35	Check valve, swing, 3/4"	1
36	Check valve, inline, 1/2"	1
37	Restriction, 1/8"	1
38	Reducing bushing 3/4" x 1/2"	1
39	Reducing bushing 1" x 3/4"	1
40	Pressure gauge, water	1
41	Pressure gauge, air	1
42	Drip check	1
43	Hose barb, hex elbow	1
44	Hose barb, hex adapter	2
45	Switch, alarm	1
46	Grooved coupling, 4"	1
47	Valve Assembly	1
48	Hose, 16"	2
49	Hose, 35"	1
50	Side outlet valve, 1/4"	2
51	EA-1 accelerator	1
52	Monitored or non-monitored solenoid valve, N.C	1
53	CoilKeeper supervisory switch (with non-monitored solenoid only) *not shown	1