

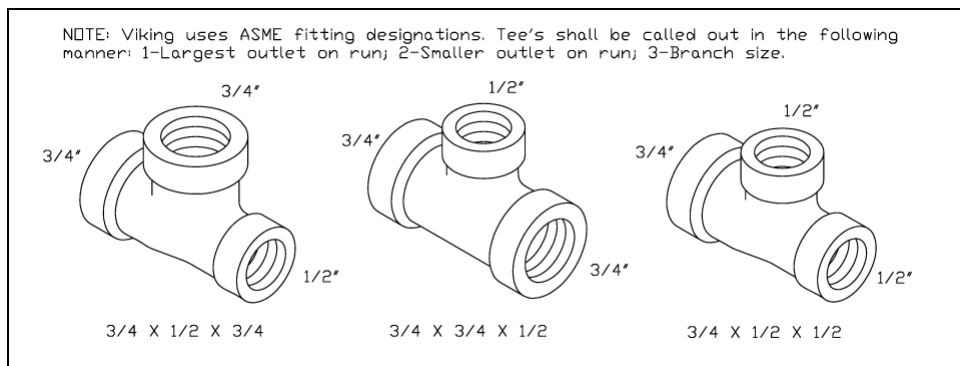
**EA-1 ACCELERATOR TRIM CHART**  
**Model VXR Dry Valve System - PTR**



<b>This trim chart is for use with the following Viking trim:</b>	
<b>Valve Size</b>	<b>Trim Part Number</b>
6" (DN150)	27345
	28246*
<small>*This system configuration consists of a monitored release solenoid. The monitored solenoid is a new option, which offers an NFPA 13 solenoid monitoring-compliant solution. For more information, refer to F_031225.</small>	
<b>This trim is for use with the following accessories:</b>	
VFR 500 Release Control Panel	26107
CoilKeeper**	1010500
<small>**Used on trim with a non-monitored solenoid only.</small>	

**General Notes:**

- Valve must be trimmed as shown. Any deviation from trim size or arrangement may affect the proper operation of the valve.
- All pipe, 3/4" (20 mm) and smaller, shall be galvanized steel, except when other materials are specified in the Technical Data for the system used.
- Viking uses ASME fitting designations. Tees shall be called out in the following order: 1 - Largest outlet on run; 2 - Smaller outlet on run; 3 - Branch size.





TRIM SHEET

EA-1 ACCELERATOR TRIM

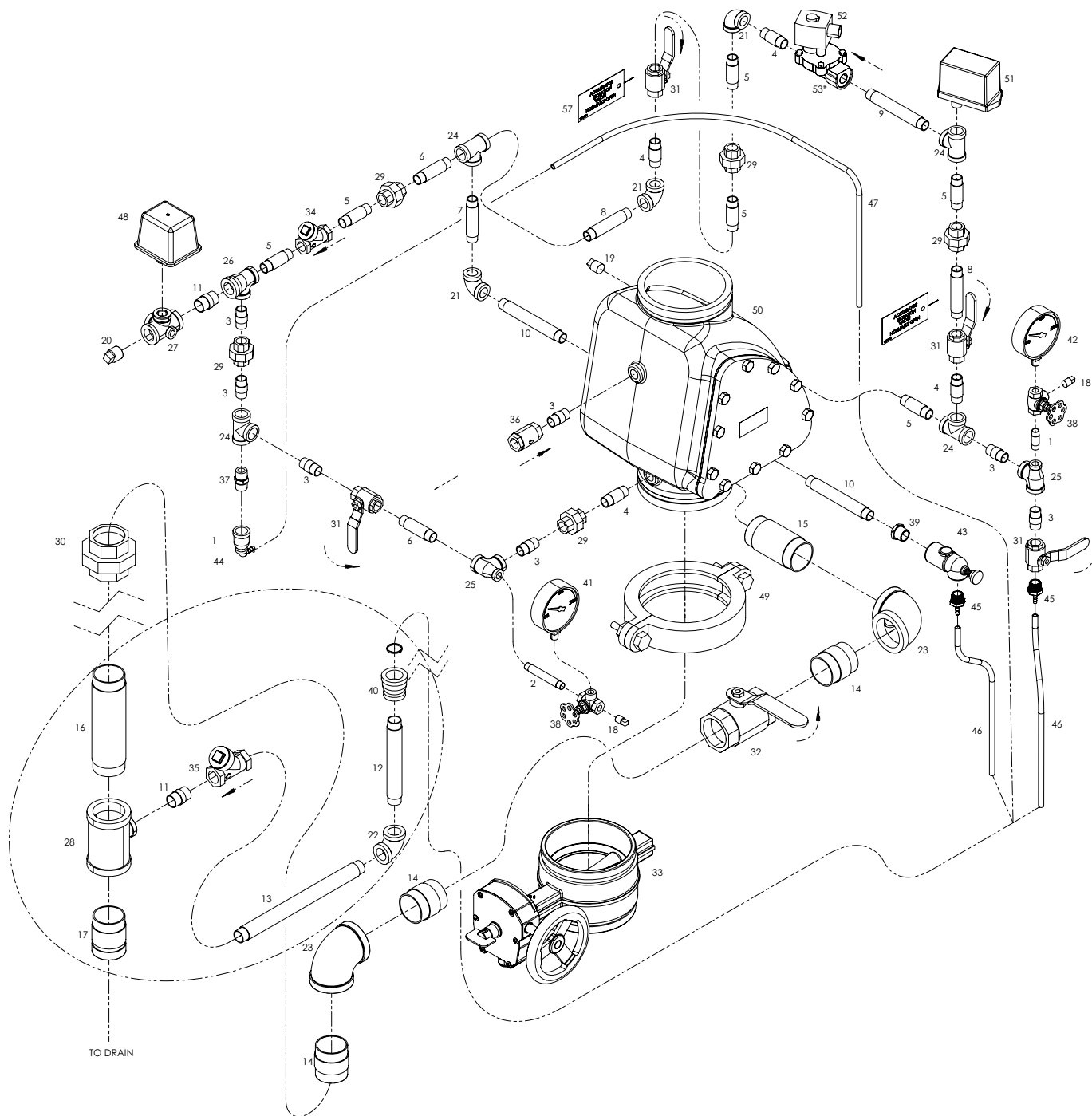


Figure – 1: 6" VXR Dry Valve System (PTR) with EA-1



## TRIM SHEET

## EA-1 ACCELERATOR TRIM

Item	Description	Qty
1	Nipple, 1/4" x 1-1/2"	1
2	Nipple, 1/4" x 3-1/2"	1
3	Nipple, 1/2" x 1-1/2"	7
4	Nipple, 1/2" x 2"	4
5	Nipple, 1/2" x 2-1/2"	6
6	Nipple, 1/2" x 3"	2
7	Nipple, 1/2" x 3-1/2"	1
8	Nipple, 1/2" x 4"	2
9	Nipple, 1/2" x 5-1/2"	1
10	Nipple, 1/2" x 6"	2
11	Nipple, 3/4" x 1-1/2"	2
12	Nipple, 3/4" x 7"	1
13	Nipple, 3/4" x 12"	1
14	Nipple, 2" x 2-1/2"	3
15	Nipple, 2" x 4-1/2"	1
16	Nipple, 2" x 8"	1
17	Thread x grooved nipple 2" x 3"	1
18	Plug, 1/4"	2
19	Plug 1/2"	1
20	Plug 3/4"	1
21	Elbow 1/2"	3
22	Elbow 3/4"	1
23	Elbow 2"	2
24	Tee, 1/2"	4
25	Tee, 1/2" x 1/4" x 1/2"	2
26	Tee, 3/4" x 1/2" x 1/2"	1
27	Tee, 3/4" x 3/4" x 1/2"	1

Item	Description	Qty
28	Tee, 2" x 2" x 3/4"	1
29	Union, 1/2"	5
30	Union, 2"	1
31	Ball valve, 1/2"	4
32	Ball valve, 2"	1
33	Butterfly valve, 6", XBFV	1
34	Check valve, swing, 1/2"	1
35	Check valve, swing, 3/4"	1
36	Check valve, inline, 1/2"	1
37	Restriction, 1/8"	1
38	Side outlet valve, 1/4"	2
39	Reducing bushing, 3/4" x 1/2"	1
40	Reducing coupling, 1" x 3/4"	1
41	Pressure gauge, water	1
42	Pressure gauge, air	1
43	Drip check	1
44	Hose barb, hex elbow	1
45	Hose barb, hex adapter	2
46	Hose, 16"	2
47	Hose, 40"	1
48	Switch, Alarm	1
49	Grooved coupling, 6"	1
50	Valve assembly	1
51	EA-1 accelerator	1
52	Monitored or non-monitored solenoid valve, N.C	1
53	CoilKeeper supervisory switch (with non-monitored solenoid only) *not shown	1