



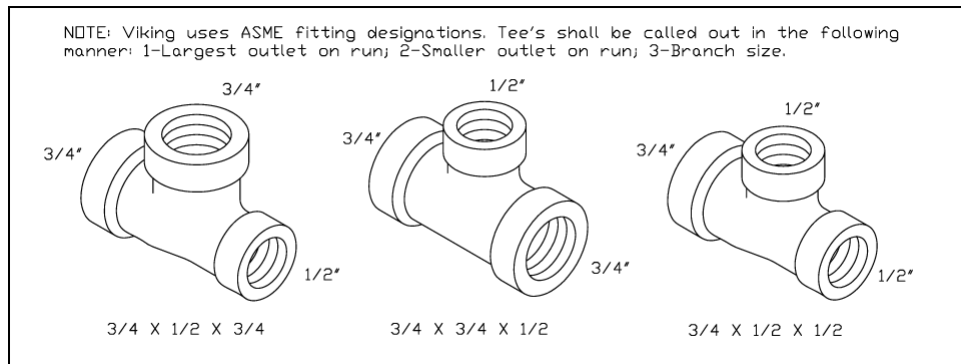
EA-1 ACCELERATOR TRIM CHART
Model VXR Dry Valve System - PT



This trim chart is for use with the following Viking trim:	
Valve Size	Trim Part Number
4" (DN100)	27446-USA
	28247-USA*
*This system configuration consists of a monitored release solenoid. The monitored solenoid is a new option, which offers an NFPA 13 solenoid monitoring-compliant solution. For more information, refer to F_031225.	
This trim is for use with the following accessories:	
VFR 500 Release Control Panel	26107
CoilKeeper**	1010500
**Used on trim with a non-monitored solenoid only.	

General Notes:

- Valve must be trimmed as shown. Any deviation from trim size or arrangement may affect the proper operation of the valve.
- All pipe, 3/4" (20 mm) and smaller, shall be galvanized steel, except when other materials are specified in the Technical Data for the system used.
- Viking uses ASME fitting designations. Tees shall be called out in the following order: 1 - Largest outlet on run; 2 - Smaller outlet on run; 3 - Branch size.





TRIM SHEET

EA-1 ACCELERATOR TRIM

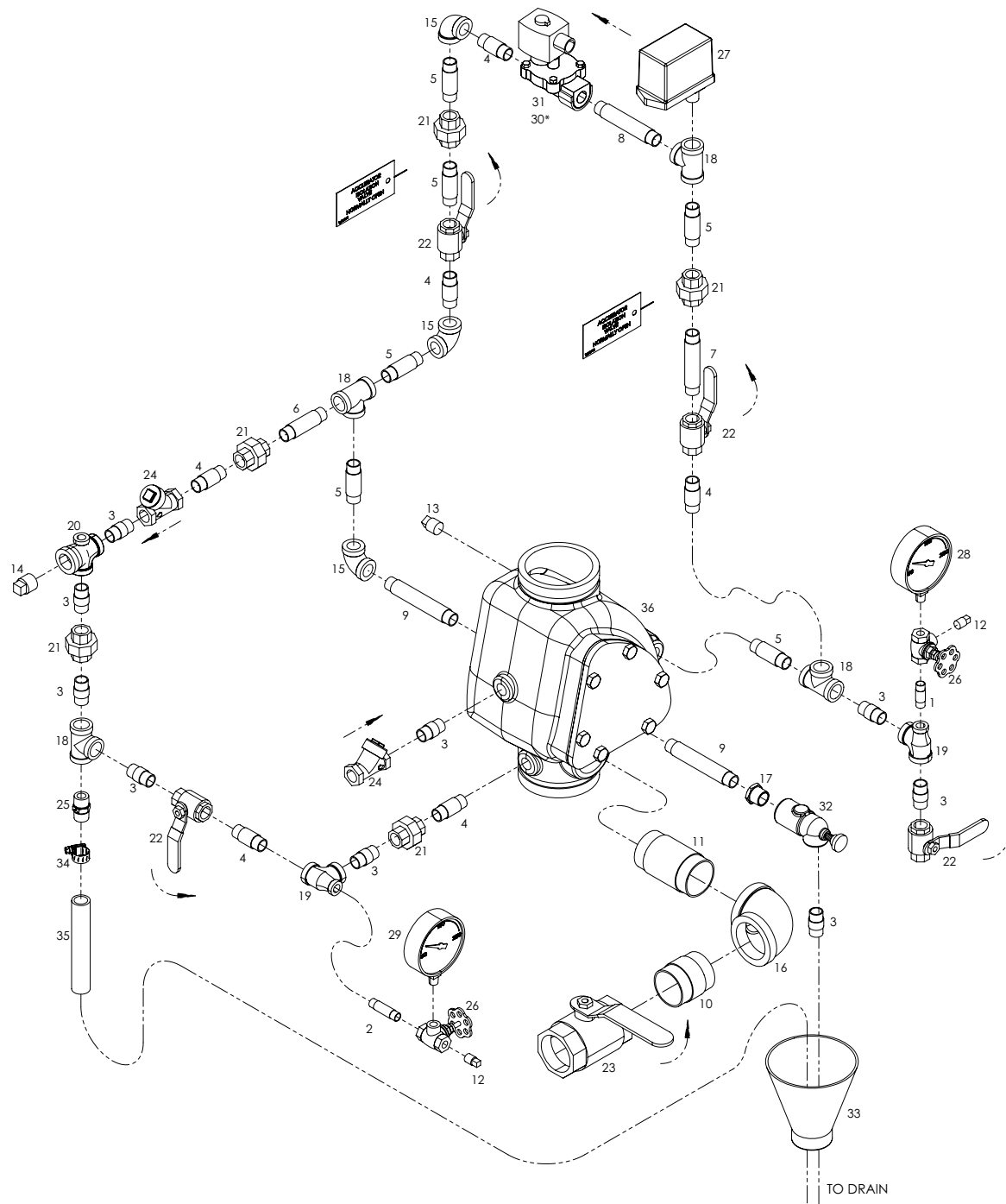


Figure – 1: 4" VXR Dry System (PT) with EA-1



TRIM SHEET

EA-1 ACCELERATOR TRIM

Item	Description	Qty
1	Nipple, 1/4" x 1-1/2"	1
2	Nipple, 1/4" x 2"	1
3	Nipple, 1/2" x 1-1/2"	9
4	Nipple, 1/2" x 2"	6
5	Nipple, 1/2" x 2-1/2"	6
6	Nipple, 1/2" x 3"	1
7	Nipple, 1/2" x 4"	1
8	Nipple, 1/2" x 4-1/2"	1
9	Nipple, 1/2" x 5"	2
10	Nipple, 2" x 2-1/2"	1
11	Nipple, 2" x 4"	1
12	Plug, 1/4"	2
13	Plug 1/2"	1
14	Plug 3/4"	1
15	Elbow 1/2"	3
16	Elbow 2"	1
17	Reducing bushing, 3/4" x 1/2"	1
18	Tee, 1/2"	4

Item	Description	Qty
19	Tee, 1/2" x 1/4" x 1/2"	2
20	Tee, 3/4" x 1/2" x 1/2"	1
21	Union, 1/2"	5
22	Ball valve, 1/2"	4
23	Ball valve, 2"	1
24	Check valve, swing, 1/2"	1
25	Restriction, 1/8"	1
26	Side outlet valve, 1/4"	2
27	EA-1 accelerator	1
28	Pressure gauge, air	1
29	Pressure gauge, water	1
30	Monitored or non-monitored solenoid valve, N.C.	1
31	CoilKeeper supervisory switch (with non-monitored solenoid only) *not shown	1
32	Drip check	1
33	Drain cup	1
34	Hose clamp	1
35	Hose	2
36	Valve assembly	1