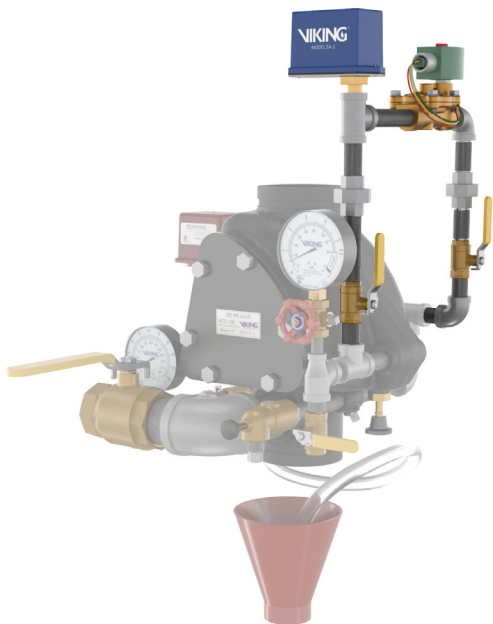


**EA-1 ACCELERATOR TRIM CHART**  
**Model VXR Dry Valve System - Loose Trim**

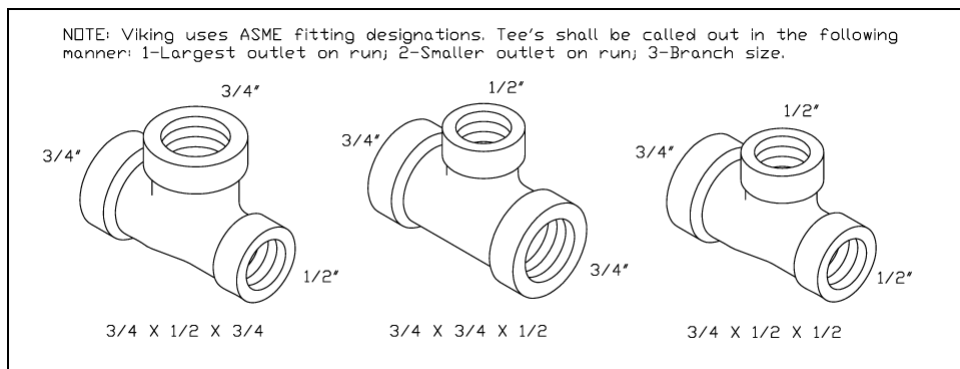


<b>This trim chart is for use with the following Viking trim:</b>	
<b>Valve Size</b>	<b>Trim Part Number</b>
4" (DN100)	27439-USA
6" (DN150)	28259-USA*
<small>*This system configuration consists of a monitored release solenoid. The monitored solenoid is a new option, which offers an NFPA 13 solenoid monitoring-compliant solution. For more information, refer to F_031225.</small>	
<b>This trim is for use with the following accessories:</b>	
EA-1	27327
CoilKeeper**	1010500
<small>**Used on trim with a non-monitored solenoid only.</small>	

**NOTE: Image shows 4" VXR dry valve.**

**General Notes:**

- Valve must be trimmed as shown. Any deviation from trim size or arrangement may affect the proper operation of the valve.
- All pipe, 3/4" (20 mm) and smaller, shall be galvanized steel, except when other materials are specified in the Technical Data for the system used.
- Viking uses ASME fitting designations. Tees shall be called out in the following order: 1 - Largest outlet on run; 2 - Smaller outlet on run; 3 - Branch size.





TRIM SHEET

EA-1 ACCELERATOR TRIM

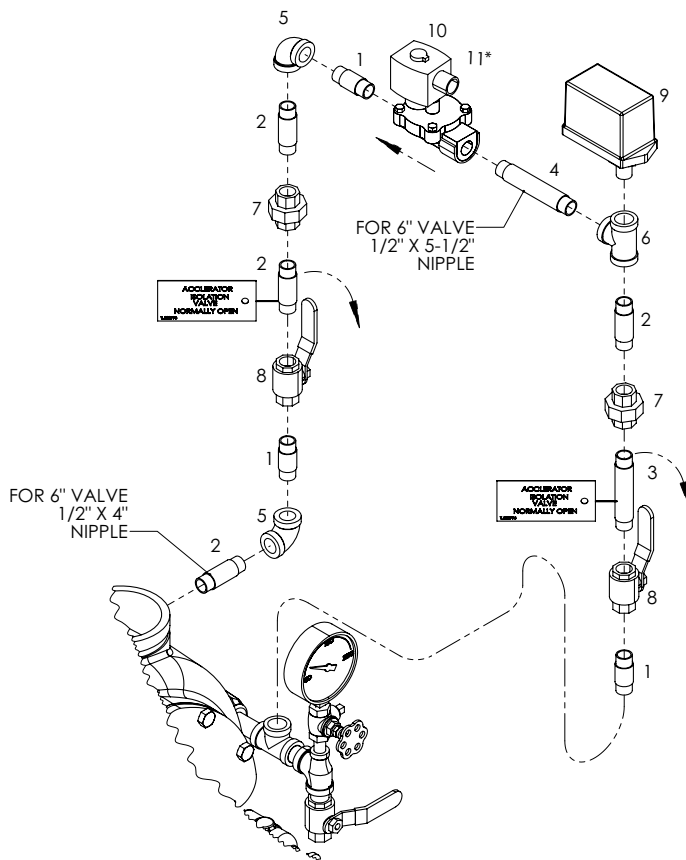


Figure – 1: VXR Dry Valve System Components (Loose) with EA-1

Item	Description	Qty
1	Nipple, 1/2" x 2"	3
2	Nipple, 1/2" x 2-1/2"	4
3	Nipple, 1/2" x 4"	1
4	Nipple, 1/2" x 4-1/2"	1
5	Elbow 1/2"	2
6	Tee, 1/2"	1

Item	Description	Qty
7	Union, 1/2"	2
8	Ball valve, 1/2"	2
9	EA-1 accelerator	1
10	Monitored or non-monitored solenoid valve, N.C.	1
11	CoilKeeper supervisory switch (with non-monitored solenoid only)	1