



**TABLE OF CONTENTS**

Model VXD Preaction Systems..... O-1 – O-3

Single Interlocked – Pneumatic Release.....O-4 – O-5

Single Interlocked – Electric Release .....O-6 – O-7

Double Interlocked – Pneumatic/Pneumatic Release..... O-8– O-9

Double Interlocked – Electric/Pneumatic Release ..... O-10 – O-11

Double Interlocked – Electric/Pneu-lectric Release ..... O-12 – O-13

Model VXD Double Interlock Preaction System, Electric/Pneu-Lectric Release with Model EA-1..... O-14

SureFire® Preaction Systems ..... O-15 – O-16

Components and Accessories (general) ..... O-17

Accessories (Pneumatic Release, Hydraulic Release) ..... O-18

Accessories (Electric Release) ..... O-19

Alarm Devices..... O-20

Special Valves and Trim..... O-21 – O-22

**Notes**

1. Refer to Viking technical data pages for complete product specifications. You may print or download technical data by visiting [www.vikinggroupinc.com](http://www.vikinggroupinc.com).
2. List prices effective May 10, 2025. Supersedes July 2022 list price book.
3. All sales by Viking are subject to the Terms & Conditions found on the last page of this book.

*SureFire® is a registered trademark of The Viking Corporation*



**TABLE OF CONTENTS**

Model VXD Preaction Systems..... O-1 – O-2

Single Interlocked – Pneumatic Release.....O-3 – O-4

Single Interlocked – Electric Release .....O-5 – O-6

Double Interlocked – Pneumatic/Pneumatic Release..... O-7– O-8

Double Interlocked – Electric/Pneumatic Release .....O-9 – O-10

Double Interlocked – Electric/Pneu-lectric Release ..... O-11 – O-12

Model VXD Double Interlock Preaction System, Electric/Pneu-Lectric Release with Model EA-1..... O-13

SureFire® Preaction Systems ..... O-14 – O-15

Components and Accessories (general) ..... O-16

Accessories (Pneumatic Release, Hydraulic Release) ..... O-17

Accessories (Electric Release) ..... O-18

Alarm Devices..... O-19

Special Valves and Trim..... O-20 – O-21

**Notes**

1. Refer to Viking technical data pages for complete product specifications. You may print or download technical data by visiting [www.vikinggroupinc.com](http://www.vikinggroupinc.com).
2. List prices effective May 10, 2025. Supersedes July 2022 list price book.
3. All sales by Viking are subject to the Terms & Conditions found on the last page of this book.

*SureFire® is a registered trademark of The Viking Corporation*

**Model VXD Preaction Systems**



**Viking Model VXD Pretrimmed Risers (PTR)**

**Deluge with Electric Release IPG V404**

1-1/2"	2"	2-1/2"	3"	4"	6"	8"
<u>24883</u>	<u>24893</u>	<u>25464</u>	<u>25396</u>	<u>25411</u>	<u>25437</u>	<u>25497</u>
\$12,034.06	\$13,438.96	\$15,578.62	\$15,578.62	\$16,630.57	\$20,228.85	\$34,272.85

**Single Interlock Preaction with Electric Release IPG V405**

1-1/2"	2"	2-1/2"	3"	4"	6"	8"
<u>24887</u>	<u>24897</u>	<u>25466</u>	<u>25398</u>	<u>25413</u>	<u>25439</u>	<u>25499</u>
\$12,845.77	\$13,561.92	\$16,038.37	\$16,038.37	\$19,404.71	\$22,440.25	\$35,674.86

**Double Interlock with Electric/Pneumatic Release IPG V405**

1-1/2"	2"	2-1/2"	3"	4"	6"	8"
<u>24891</u>	<u>24901</u>	<u>25468</u>	<u>25400</u>	<u>25415</u>	<u>25441</u>	<u>25501</u>
\$13,657.27	\$14,889.28	\$16,902.02	\$16,902.02	\$21,164.80	\$23,544.79	\$37,319.74

**Double Interlock with Electric/Pneu-Lectric Release IPG V405**

1-1/2"	2"	2-1/2"	3"	4"	6"	8"
<u>24887</u>	<u>24897</u>	<u>25466</u>	<u>25398</u>	<u>25413</u>	<u>25439</u>	<u>25499</u>
\$12,845.77	\$13,561.92	\$16,038.37	\$16,038.37	\$19,404.71	\$22,440.25	\$35,674.86

**VXD Preaction Valves - Pretrimmed Deluge Valves**

**Pre-trimmed Electric Release Preaction Galvanized IPG V403**

1-1/2"	2"	2-1/2"	3"	4"	6"	8"	10"
<u>23563</u>	<u>23584</u>	<u>23605</u>	<u>23626</u>	<u>23647</u>	<u>23669</u>	<u>23690</u>	<u>23751</u>
\$11,428.28	\$11,993.24	\$13,432.00	\$13,619.29	\$14,580.74	\$17,477.60	\$31,023.18	\$38,114.97

**Pre-trimmed Pneumatic Release Preaction Galvanized IPG V403**

1-1/2"	2"	2-1/2"	3"	4"	6"	8"	10"
<u>23566</u>	<u>23587</u>	<u>23608</u>	<u>23629</u>	<u>23651</u>	<u>23672</u>	<u>23693</u>	<u>23754</u>
\$11,428.28	\$11,993.25	\$13,432.00	\$13,619.29	\$14,580.74	\$17,477.60	\$31,023.19	\$38,114.96

**Pre-trimmed Electric/Pneumatic Release Preaction Galvanized IPG V403**

1-1/2"	2"	2-1/2"	3"	4"	6"	8"	10"
<u>23569</u>	<u>23590</u>	<u>23611</u>	<u>23632</u>	<u>23654</u>	<u>23675</u>	<u>23696</u>	<u>23757</u>
\$12,460.64	\$13,025.61	\$14,464.36	\$14,651.66	\$15,613.10	\$18,509.97	\$32,055.55	\$39,147.33



**Model VXD Praction Systems with Monitored Solenoid**

**VXD Praction Valves - Pretrimmed Deluge Valves**

**Pre-trimmed Electric Release Praction Galvanized IPG V403**

1-1/2"	2"	2-1/2"	3"	4"	6"	8"	10"
<u>23563</u>	<u>23584</u>	<u>23605</u>	<u>23626</u>	<u>23647</u>	<u>23669</u>	<u>23690</u>	<u>23751</u>
\$11,428.28	\$11,993.24	\$13,432.00	\$13,619.29	\$14,580.74	\$17,477.60	\$31,023.18	\$38,114.97

**Pre-trimmed Pneumatic Release Praction Galvanized IPG V403**

1-1/2"	2"	2-1/2"	3"	4"	6"	8"	10"
<u>23566</u>	<u>23587</u>	<u>23608</u>	<u>23629</u>	<u>23651</u>	<u>23672</u>	<u>23693</u>	<u>23754</u>
\$11,428.28	\$11,993.25	\$13,432.00	\$13,619.29	\$14,580.74	\$17,477.60	\$31,023.19	\$38,114.96

**Pre-trimmed Electric/Pneumatic Release Praction Galvanized IPG V403**

1-1/2"	2"	2-1/2"	3"	4"	6"	8"	10"
<u>23569</u>	<u>23590</u>	<u>23611</u>	<u>23632</u>	<u>23654</u>	<u>23675</u>	<u>23696</u>	<u>23757</u>
\$12,460.64	\$13,025.61	\$14,464.36	\$14,651.66	\$15,613.10	\$18,509.97	\$32,055.55	\$39,147.33

**VXD Praction Systems - Loose Valve and Trim**

**Model VXD Deluge Valve - Groove/Groove IPG V400**

1-1/2"	2"	2-1/2"	3"	4"	6"	8"	10"
<u>23310</u>	<u>23311</u>	<u>23312</u>	<u>23313</u>	<u>23316</u>	<u>23319</u>	<u>23322</u>	<u>23325</u>
\$3,742.33	\$4,219.80	\$5,853.65	\$6,070.15	\$7,066.71	\$9,286.21	\$21,493.88	\$27,844.71

**Model VXD Deluge Valve - Flange/Flange IPG V400**

3"	4"	6"	8"	10"
<u>23314</u>	<u>23317</u>	<u>23320</u>	<u>23323</u>	<u>23326</u>
\$6,070.15	\$7,066.71	\$9,286.21	\$21,493.88	\$27,844.71

**Loose Trim Electric Release Praction Galvanized IPG V401**

1-1/2"	2"	2-1/2"	3"	4"	6"	8"	10"
<u>23562-1</u>	<u>23583-1</u>	<u>23604-1</u>	<u>23625-1</u>	<u>23646-1</u>	<u>23668-1</u>	<u>23689-1</u>	<u>23750-1</u>
\$5,827.37	\$5,827.37	\$5,837.52	\$5,837.52	\$5,933.73	\$5,940.92	\$7,982.44	\$8,477.66

**Loose Trim Pneumatic Release Praction Galvanized IPG V401**

1-1/2"	2"	2-1/2"	3"	4"	6"	8"	10"
<u>23565-1</u>	<u>23586-1</u>	<u>23607-1</u>	<u>23628-1</u>	<u>23650-1</u>	<u>23671-1</u>	<u>23692-1</u>	<u>23753-1</u>
\$5,827.37	\$5,827.37	\$5,837.52	\$5,837.52	\$5,933.73	\$5,940.93	\$7,982.44	\$8,477.66

**Loose Trim Electric/Pneumatic Release Praction Galvanized IPG V401**

1-1/2"	2"	2-1/2"	3"	4"	6"	8"	10"
<u>23568-1</u>	<u>23589-1</u>	<u>23610-1</u>	<u>23631-1</u>	<u>23653-1</u>	<u>23674-1</u>	<u>23695-1</u>	<u>23756-1</u>
\$6,612.99	\$6,612.99	\$6,722.65	\$6,722.65	\$6,929.13	\$6,963.86	\$8,768.08	\$9,878.36

**Riser Check Valve and Trim IPG V259/V220**

1-1/2"	2"	2-1/2"	3"	4"	6"	8"	10"
<u>11054</u>	<u>11059</u>	<u>07929</u>	<u>08507</u>	<u>08510</u>	<u>08513</u>	<u>08516</u>	<u>23788</u>
\$1,120.04	\$1,294.97	\$1,341.59	\$1,341.59	\$1,341.59	\$2,482.72	\$3,515.89	\$5,105.10



**Model VXD Preaction Systems with Monitored Solenoid**

**VXD Preaction Valves - Pretrimmed Deluge Valves**

**Pre-trimmed Electric Release Preaction Galvanized with Monitored Solenoid IPG V403**

1-1/2"	2"	2-1/2"	3"	4"	6"	8"	10"
<u>28105</u>	<u>28103</u>	<u>28043</u>	<u>28107</u>	<u>28047</u>	<u>28111</u>	<u>28101</u>	<u>28113</u>
\$12,398.77	\$11,965.38	\$36,706.71	\$14,088.83	\$15,097.35	\$17,119.28	\$13,892.38	\$30,407.38

**VXD PTR Single Interlock Electric Release with Monitored Solenoid IPG V405**

1-1/2"	2"	2-1/2"	3"	4"	6"	8"	
<u>28130</u>	<u>28131</u>	<u>28132</u>	<u>28133</u>	<u>28134</u>	<u>28135</u>	<u>28136</u>	
\$13,032.30	\$14,437.17	\$16,577.49	\$16,577.54	\$17,628.79	\$21,227.08	\$35,271.25	

**Pre-trimmed Electric/Pneumatic Release Preaction Galvanized with Monitored Solenoid IPG V403**

1-1/2"	2"	2-1/2"	3"	4"	6"	8"	10"
<u>28066</u>	<u>28115</u>	<u>28062</u>	<u>28119</u>	<u>28049</u>	<u>28117</u>	<u>28109</u>	<u>28122</u>
\$12,944.91	\$14,573.97	\$31,974.84	\$39,066.61	\$15,532.38	\$18,429.24	\$12,379.96	\$14,383.59

**VXD PTR Double Interlock Electric/Pneumatic Release with Monitored Solenoid IPG V405**

1-1/2"	2"	2-1/2"	3"	4"	6"	8"	
<u>28137</u>	<u>28138</u>	<u>28139</u>	<u>28140</u>	<u>28141</u>	<u>28142</u>	<u>28143</u>	
\$13,863.08	\$14,513.58	\$16,989.99	\$16,989.99	\$20,356.35	\$23,391.91	\$36,644.87	

**VXD Preaction Systems - Loose Valve and Trim**

**Loose Trim Electric Release Preaction Galvanized with Monitored Solenoid IPG V401**

1-1/2"	2"	2-1/2"	3"	4"	6"	8"	10"
<u>28104-1</u>	<u>28102-1</u>	<u>28060-1</u>	<u>28106-1</u>	<u>28045-1</u>	<u>28110-1</u>	<u>28100-1</u>	<u>28112-1</u>
\$6,916.77	\$6,916.77	\$6,916.77	\$6,940.58	\$6,916.77	\$8,064.56	\$6,916.77	\$8,359.24

**Loose Trim Electric Release Preaction Brass with Monitored Solenoid IPG V401**

1-1/2"	2"	2-1/2"	3"	4"	6"	8"	10"
<u>28104-2</u>	<u>28102-2</u>	<u>28060-2</u>	<u>28106-2</u>	<u>28045-2</u>	<u>28110-2</u>	<u>28100-2</u>	<u>28112-2</u>
\$8,692.29	\$8,242.60	\$8,472.25	\$9,860.81	\$8,195.62	\$12,782.63	\$8,337.47	\$12,825.63

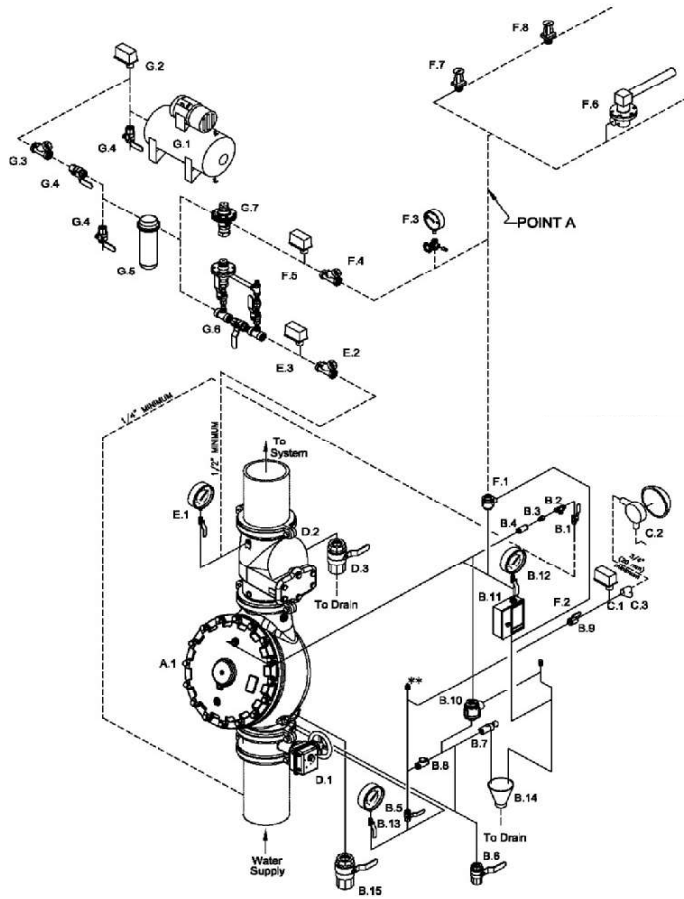
**Loose Trim Electric/Pneumatic Release Preaction Galvanized with Monitored Solenoid IPG V401**

1-1/2"	2"	2-1/2"	3"	4"	6"	8"	10"
<u>28065-1</u>	<u>28114-1</u>	<u>28061-1</u>	<u>28118-1</u>	<u>28048-1</u>	<u>28116-1</u>	<u>28108-1</u>	<u>28121-1</u>
\$7,982.44	\$5,827.37	\$5,827.37	\$5,827.37	\$5,827.37	\$5,827.37	\$5,827.37	\$8,942.36

**Loose Trim Electric/Pneumatic Release Preaction Brass with Monitored Solenoid IPG V401**

1-1/2"	2"	2-1/2"	3"	4"	6"	8"	10"
<u>28065-2</u>	<u>28114-2</u>	<u>28061-2</u>	<u>28118-2</u>	<u>28048-2</u>	<u>28116-2</u>	<u>28108-2</u>	<u>28121-2</u>
\$11,040.74	\$8,329.36	\$8,329.36	\$8,329.36	\$8,329.36	\$8,329.36	\$8,329.36	\$11,375.26

**Preaction System - Single Interlocked - Pneumatic Release**



SYSTEM COMPONENTS

- A. Valve
  - A.1 Deluge Valve
- B. Deluge Valve Conventional Trim \*
  - (See Deluge Valve Conventional Trim Charts)
  - B.1 Priming Valve (Normally Open)
  - B.2 Strainer
  - B.3 1/16" Restricted Orifice
  - B.4 Spring Loaded Check Valve
  - B.5 Alarm Test Valve (Normally Closed)
  - B.6 Auxiliary Drain Valve (Normally Closed)
  - B.7 Drip Check Valve
  - B.8 Drain Check Valve
  - B.9 Alarm Shut-Off Valve (Normally Open)
  - B.10 Pressure Operated Relief Valve (P.O.R.V.)
  - B.11 Emergency Release
  - B.12 Priming Pressure Water Gauge and Valve
  - B.13 Water Supply Pressure Gauge and Valve
  - B.14 Drain Cup
  - B.15 Flow Test Valve (Normally Closed)
- C. Water Flow Alarm Equipment
  - C.1 Alarm Pressure Switch and/or
  - C.2 Water Motor Alarm (Strainer Required)
  - C.3 Strainer
- D. Riser
  - D.1 Water Supply Control Valve
  - D.2 Easy Riser Check Valve or rubber seated check valve
  - D.3 Sprinkler System Main Drain
- E. Supervisory Air Supply
  - E.1 System Pressure Gauge and Valve
  - E.2 Soft Seat Swing Check Valve
  - E.3 Air Pressure Supervisory Switch
- F. Release System
  - F.1 Pneumatic Actuator
  - F.2 Pneumatic Release Module Trim
  - F.3 Air Pressure Gauge and Valve
  - F.4 Soft Seat Check Valve
  - F.5 Air Pressure Supervisory Switch
  - F.6 Thermostatic Release and/or
  - F.7 Fixed Temperature Release and/or
  - F.8 Plot Head (Sprinkler)
- G. Air Supply
  - G.1 Automatic Air Supply, Air Compressor and Tank shown for clarity.
  - G.2 Air Supervisory Pressure Switch (Compressor On/Off Control Switch)
  - G.3 Soft Seat Check Valve
  - G.4 Shut Off Valve (Indicating Ball Valve recommended.)
  - G.5 Dehydrator
  - G.6 Air maintenance Device & By-Pass Trim
  - G.7 Air maintenance Device

Components above are included in Quik Pik packages as customized by user.

**Model F Deluge / Preaction Valve\* - STRAIGHT THROUGH**

V233	1-1/2"	2"	2-1/2"	3"	4"	6"	8"
Thread X Thread	<u>12126</u> \$4,781.59	<u>12059</u> \$4,942.18	<u>12401</u> \$6,526.22	N/A	N/A	N/A	N/A
Flange X Flange	N/A	N/A	N/A	<u>12014</u> \$6,526.22	<u>11953</u> \$8,501.01	<u>11955</u> \$11,627.84	<u>11991</u> \$26,338.47
Flange X Groove	N/A	N/A	N/A	<u>12018</u> \$6,526.22	<u>11952</u> \$8,501.01	<u>11954</u> \$11,627.84	N/A
Groove X Groove	<u>12125</u> \$4,781.59	<u>12057</u> \$4,942.18	<u>12403</u> \$6,526.22	<u>12022</u> \$6,526.22	<u>11513</u> \$8,501.01	<u>11524</u> \$11,627.84	<u>11018</u> \$26,338.47

\* Valve is not included in trim packages. Please order separately. See following page for trim packages and equipment.

**Preaction System - Single Interlocked - Pneumatic Release**

TrimPac® V251	1-1/2"	2"	2-1/2"	3"	4"	6"	8"
<u>Straight-Through</u>	<u>13793B-4</u>	<u>13793B-4</u>	<u>13793B-4</u>	<u>13793B-4</u>	<u>13793B-4</u>	<u>13793B-4</u>	<u>13793B-4</u>
	\$8,337.72	\$8,337.72	\$8,337.72	\$8,337.72	\$8,337.72	\$8,337.72	\$8,337.72

TrimPac® includes conventional trim, releasing device (pneumatic actuator), releasing trim, and flexible hose kit.

Drain package for TrimPac® must be ordered separately (see below).

**Drain Package (IPG V257)**

Use with TrimPac® (order separately)	11894-1	11894-2	11894-3	11894-3	11894-4	11894-4	11894-4
	\$876.54	\$709.00	\$803.47	\$803.47	\$1,031.22	\$1,031.22	\$1,031.22

	1-1/2"	2"	2-1/2"	3"	4"	6"	8"
--	--------	----	--------	----	----	----	----

**Trim (Vertical - Straight Through Valve) - Galvanized (IPG 236)**

<u>Loose Trim</u> (incl. accessory pkg-09316)	<u>14634-1</u>	<u>14634-1</u>	<u>14636-1</u>	<u>14636-1</u>	<u>14639-1</u>	<u>14641-1</u>	<u>14642-1</u>
	\$5,329.24	\$5,329.24	\$5,215.35	\$5,215.35	\$5,457.32	\$5,470.13	\$7,923.71
<u>Modular Trim</u> (incl. accessory pkg-09316)	<u>14634-1P</u>	<u>14634-1P</u>	<u>14636-1P</u>	<u>14636-1P</u>	<u>14639-1P</u>	<u>14641-1P</u>	<u>14642-1P</u>
	\$5,810.40	\$5,810.40	\$5,696.46	\$5,696.46	\$5,940.73	\$5,953.48	\$8,407.08

	1-1/2"	2"	2-1/2"	3"	4"	6"	8"
--	--------	----	--------	----	----	----	----

**Releasing Devices (IPG V226)**

<u>Pneumatic Actuator</u>	<u>06459B</u>	<u>06459B</u>	<u>06459B</u>	<u>06459B</u>	<u>06459B</u>	<u>06459B</u>	<u>06459B</u>
	\$1,029.29	\$1,029.29	\$1,029.29	\$1,029.29	\$1,029.29	\$1,029.29	\$1,029.29

**Releasing Trim - Galvanized (IPG V238)**

<u>Loose Trim</u> (releasing device not incl.)	<u>10809</u>	<u>10809</u>	<u>10809</u>	<u>10809</u>	<u>10809</u>	<u>10809</u>	<u>10809</u>
	\$161.27	\$161.27	\$161.27	\$161.27	\$161.27	\$161.27	\$161.27
<u>Modular Trim</u> (releasing device not incl.)	<u>10809P</u>	<u>10809P</u>	<u>10809P</u>	<u>10809P</u>	<u>10809P</u>	<u>10809P</u>	<u>10809P</u>
	\$718.70	\$718.70	\$718.70	\$718.70	\$718.70	\$718.70	\$718.70
<u>Loose Trim-DOMESTIC</u> <sup>1</sup> (releasing device not incl.)	<u>10809USA</u>	<u>10809USA</u>	<u>10809USA</u>	<u>10809USA</u>	<u>10809USA</u>	<u>10809USA</u>	<u>10809USA</u>
	\$215.03	\$215.03	\$215.03	\$215.03	\$215.03	\$215.03	\$215.03

	1-1/2"	2"	2-1/2"	3"	4"	6"	8"
--	--------	----	--------	----	----	----	----

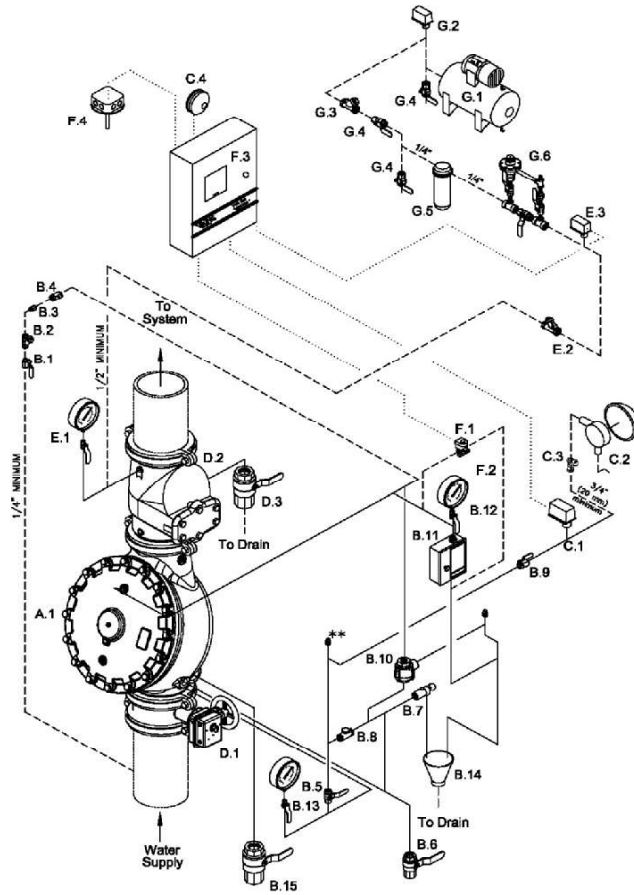
**Riser Check Valve and Trim (IPG V259 / V222)**

<u>Riser Check Valve</u> Threaded	<u>10659</u>	<u>10667</u>	N/A	N/A	N/A	N/A	N/A
	\$1,120.04	\$1,294.97					
<u>Riser Check Valve</u> Flange / Flange	N/A	N/A	N/A	<u>08505</u>	<u>08508</u>	<u>08511</u>	N/A
				\$1,860.75	\$1,917.26	\$3,161.20	
<u>Riser Check Valve</u> Flange / Groove	N/A	N/A	N/A	<u>08506</u>	<u>08509</u>	<u>08512</u>	<u>08515</u>
				\$1,578.11	\$1,624.35	\$2,688.26	\$3,804.99
<u>Riser Check Valve</u> Groove / Groove	<u>11054</u>	<u>11059</u>	<u>07929</u>	<u>08507</u>	<u>08510</u>	<u>08513</u>	<u>08516</u>
	\$1,120.04	\$1,294.97	\$1,341.59	\$1,341.59	\$1,341.59	\$2,482.72	\$3,515.89
<u>Riser Check Valve Trim</u> (For Preaction)	<u>12960</u>	<u>12960</u>	<u>13776</u>	<u>13776</u>	<u>13777</u>	<u>13777</u>	<u>13777</u>
	\$378.80	\$378.80	\$948.97	\$948.97	\$1,003.14	\$1,003.14	\$1,003.14

Riser check valve trim includes system main drain valve and air pressure gauge.

Please contact your customer service center for price and availability of non-interlocked preaction systems.

**Praction System - Single Interlocked - Electric Release**



----- Dashed lines indicate pipe required but not listed in "System Components" Table.  
 ..... Dotted lines indicate electrical detection system wiring required but not listed in "System Components" Table. For additional wiring requirements refer to technical data for components used.

**SYSTEM COMPONENTS**

- A. Valve
  - A.1 Deluge Valve
- B. Deluge Valve Conventional Trim \*  
(See Deluge Valve Conventional Trim Charts)
  - B.1 Priming Valve (Normally Open)
  - B.2 Strainer
  - B.3 1/16" Restricted Orifice
  - B.4 Spring Loaded Check Valve
  - B.5 Alarm Test Valve (Normally Closed)
  - B.6 Auxiliary Drain Valve (Normally Closed)
  - B.7 Drip Check Valve
  - B.8 Drain Check Valve
  - B.9 Alarm Shut-Off Valve (Normally Open)
  - B.10 Pressure Operated Relief Valve (P.O.R.V.)
  - B.11 Emergency Release
  - B.12 Priming Pressure Water Gauge and Valve
  - B.13 Water Supply Pressure Gauge and Valve
  - B.14 Drain Cup
  - B.15 Flow Test Valve (Normally Closed)
- C. Water Flow Alarm Equipment
  - C.1 Alarm Pressure Switch and/or
  - C.2 Water Motor Alarm (Strainer Required)
  - C.3 Strainer
  - C.4 Electric Alarm Bell
- D. Riser
  - D.1 Water Supply Control Valve
  - D.2 Easy Riser Check Valve or rubber seated check valve
  - D.3 Sprinkler System Main Drain
- E. Supervisory Air Supply
  - E.1 System Pressure Gauge and Valve
  - E.2 Soft Seat Swing Check Valve
  - E.3 Air Pressure Supervisory Switch
- F. Release System
  - F.1 Solenoid Valve (Normally Closed)
  - F.2 Electric Release Trim
  - F.3 System Control Panel configured for Non-Interlocked Praction operation.
  - F.4 Electric Detection System. Heat Detector shown for clarity.
- G.1 Automatic Air Supply. Air Compressor and Tank shown for clarity.
- G.2 Air Supervisory Pressure Switch (Compressor On/Off Control Switch)
- G.3 Soft Seat Check Valve
- G.4 Shut Off Valve (Indicating Ball Valve recommended.)
- G.5 Dehydrator
- G.6 Air maintenance Device & By-Pass Trim
- G.7 1/2 x 1/4" Reducing Coupling

Components shown above are included in Quik Pik packages as customized by user. See page O-5.

**Model F Deluge / Praction Valve\* - STRAIGHT THROUGH**

V233	1-1/2"	2"	2-1/2"	3"	4"	6"	8"
Thread X Thread	<u>12126</u> \$4,781.59	<u>12059</u> \$4,942.18	<u>12401</u> \$6,526.22	N/A	N/A	N/A	N/A
Flange X Flange	N/A	N/A	N/A	<u>12014</u> \$6,526.22	<u>11953</u> \$8,501.01	<u>11955</u> \$11,627.84	<u>11991</u> \$26,338.47
Flange X Groove	N/A	N/A	N/A	<u>12018</u> \$6,526.22	<u>11952</u> \$8,501.01	<u>11954</u> \$11,627.84	N/A
Groove X Groove	<u>12125</u> \$4,781.59	<u>12057</u> \$4,942.18	<u>12403</u> \$6,526.22	<u>12022</u> \$6,526.22	<u>11513</u> \$8,501.01	<u>11524</u> \$11,627.84	<u>11018</u> \$26,338.47

See page O-19-20 for additional valve and trim options, including Halar® coated valves, horizontal trim, domestic trim, and brass trim packages.

\* Valve is not included in trim packages. Please order separately. See following page for trim packages and equipment.

**Praction System - Single Interlocked - Electric Release**

TrimPac®	V234	1-1/2"	2"	2-1/2"	3"	4"	6"	8"
Straight-Through		<u>13792B-3</u>	<u>13792B-3</u>	<u>13792B-3</u>	<u>13792B-3</u>	<u>13792B-3</u>	<u>13792B-3</u>	<u>13792B-3</u>
		\$8,490.86	\$8,490.86	\$8,490.86	\$8,490.86	\$8,490.86	\$8,490.86	\$8,490.86
TrimPac®	V234	1-1/2"	2"	2-1/2"	3"	4"	6"	8"
Straight-Through		<u>28199B-3</u>	<u>28199B-3</u>	<u>28199B-3</u>	<u>28199B-3</u>	<u>28199B-3</u>	<u>28199B-3</u>	<u>28199B-3</u>
	with Monitored Solenoid	\$9,329.98	\$9,329.98	\$9,329.98	\$9,329.98	\$9,329.98	\$9,329.98	\$9,329.98

TrimPac® includes conventional trim, releasing device (solenoid valve), releasing trim, and flexible hose kit.

Drain package for TrimPac® must be ordered separately (see below).

**Drain Package (IPG V257)**

Use with TrimPac®	11894-1	11894-2	11894-3	11894-3	11894-4	11894-4	11894-4
(order separately)	\$876.54	\$709.00	\$803.47	\$803.47	\$1,031.22	\$1,031.22	\$1,031.22

1-1/2"	2"	2-1/2"	3"	4"	6"	8"
--------	----	--------	----	----	----	----

**Trim (Vertical - Straight Through Valve) - Galvanized (IPG V236)**

Loose Trim (incl. accessory pkg-09316)	<u>14634-1</u> \$5,329.24	<u>14634-1</u> \$5,329.24	<u>14636-1</u> \$5,215.35	<u>14636-1</u> \$5,215.35	<u>14639-1</u> \$5,457.32	<u>14641-1</u> \$5,470.13	<u>14642-1</u> \$7,923.71
Modular Trim (incl. accessory pkg-09316)	<u>14634-1P</u> \$5,810.40	<u>14634-1P</u> \$5,810.40	<u>14636-1P</u> \$5,696.46	<u>14636-1P</u> \$5,696.46	<u>14639-1P</u> \$5,940.73	<u>14641-1P</u> \$5,953.48	<u>14642-1P</u> \$8,407.08

	1-1/2"	2"	2-1/2"	3"	4"	6"	8"
Releasing Devices (IPG V230)							
Solenoid Valve	<u>11601</u> \$1,597.55	<u>11601</u> \$1,597.55	<u>11601</u> \$1,597.55	<u>11601</u> \$1,597.55	<u>11601</u> \$1,597.55	<u>11601</u> \$1,597.55	<u>11601</u> \$1,597.55

**Releasing Trim - Galvanized (IPG V238)**

Loose Trim (releasing device not incl.)	<u>10830</u>	<u>10830</u>	<u>10830</u>	<u>10830</u>	<u>10830</u>	<u>10830</u>	<u>10830</u>
Modular Trim (releasing device not incl.)	<u>10830P</u> \$718.70	<u>10830P</u> \$718.70	<u>10830P</u> \$718.70	<u>10830P</u> \$718.70	<u>10830P</u> \$718.70	<u>10830P</u> \$718.70	<u>10830P</u> \$718.70
Loose Trim - DOMESTIC (releasing device not incl.)	<u>10830USA</u> \$221.96	<u>10830USA</u> \$221.96	<u>10830USA</u> \$221.96	<u>10830USA</u> \$221.96	<u>10830USA</u> \$221.96	<u>10830USA</u> \$221.96	<u>10830USA</u> \$221.96

	1-1/2"	2"	2-1/2"	3"	4"	6"	8"
--	--------	----	--------	----	----	----	----

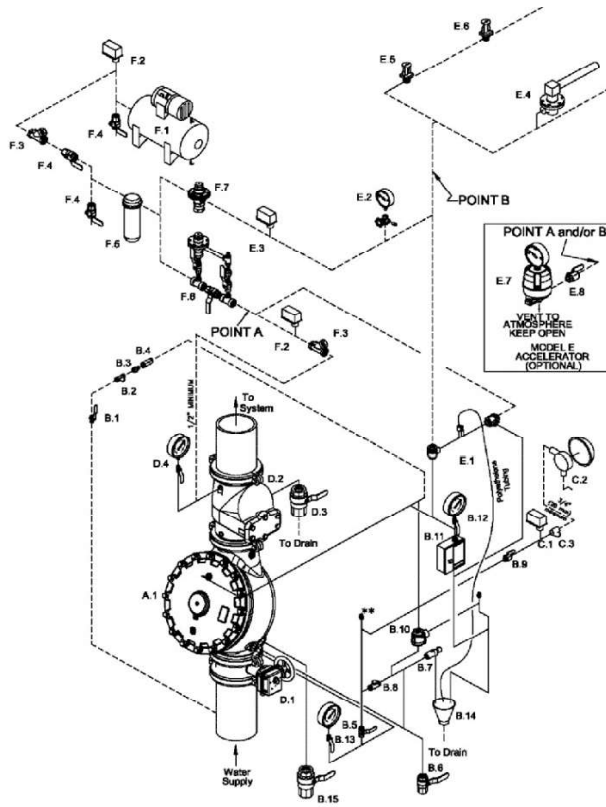
**Riser Check Valve and Trim (IPG V259 / V222)**

Riser Check Valve Threaded	<u>10659</u> \$1,120.04	<u>10667</u> \$1,294.97	N/A	N/A	N/A	N/A	N/A
Riser Check Valve Flange / Flange	N/A	N/A	N/A	<u>08505</u> \$1,860.75	<u>08508</u> \$1,917.26	<u>08511</u> \$3,161.20	N/A
Riser Check Valve Flange / Groove	N/A	N/A	N/A	<u>08506</u>	<u>08509</u>	<u>08512</u>	<u>08515</u>
Riser Check Valve Groove / Groove	<u>11054</u> \$1,120.04	<u>11059</u> \$1,294.97	<u>07929</u> \$1,341.59	<u>08507</u> \$1,341.59	<u>08510</u> \$1,341.59	<u>08513</u> \$2,482.72	<u>08516</u> \$3,515.89
Riser Check Valve Trim (For Praction)	<u>12960</u> \$378.80	<u>12960</u> \$378.80	<u>13776</u> \$948.97	<u>13776</u> \$948.97	<u>13777</u> \$1,003.14	<u>13777</u> \$1,003.14	<u>13777</u> \$1,003.14

Riser check valve trim includes system main drain valve and air pressure gauge.

Please contact your customer service center for price and availability of non-interlocked praction systems.

**Precision System - Double Interlocked - Pneumatic/Pneumatic Release**



**SYSTEM COMPONENTS**

- A. Valve**
  - A.1 Deluge Valve
- B. Deluge Valve Conventional Trim \***  
(See Deluge Valve Conventional Trim Charts)
  - B.1 Priming Valve (Normally Open)
  - B.2 Strainer
  - B.3 1/16" Restricted Orifice
  - B.4 Spring Loaded Check Valve
  - B.5 Alarm Test Valve (Normally Closed)
  - B.6 Auxiliary Drain Valve (Normally Closed)
  - B.7 Drip Check Valve
  - B.8 Drain Check Valve
  - B.9 Alarm Shut-Off Valve (Normally Open)
  - B.10 Pressure Operated Relief Valve (P.O.R.V.)
  - B.11 Emergency Release
  - B.12 Priming Pressure Water Gauge and Valve
  - B.13 Water Supply Pressure Gauge and Valve
  - B.14 Drain Cup
  - B.15 Flow Test Valve (Normally Closed)
- C. Water Flow Alarm Equipment**
  - C.1 Alarm Pressure Switch and/or
  - C.2 Water Motor Alarm (Strainer Required)
  - C.3 Strainer
- D. Riser**
  - D.1 Water Supply Control Valve
  - D.2 Easy Riser Check Valve or rubber seated check valve
  - D.3 Sprinkler System Main Drain
  - D.4 System Pressure Gauge and Valve
- E. Release System**
  - E.1 Pneumatic/Pneumatic Release Module Trim
  - E.2 Air Pressure Gauge and Valve
  - E.3 Air Pressure Supervisory Switch
  - E.4 Thermostatic Release and/or
  - E.5 Fixed Temperature Release and/or
  - E.6 Pilot Head (Sprinkler)
  - E.7 Accelerator (Optional. See Inset.)
  - E.8 Accelerator Isolation Valve (See Inset.)
- F. Air Supply**
  - F.1 Tank Mounted Air Compressor
  - F.2 Air Supervisory Pressure Switch (Compressor On/Off Control Switch)
  - F.3 Soft Seat Check Valve
  - F.4 Shut Off Valve (indicating Ball Valve recommended.)
  - F.5 Dehydrator
  - F.6 Air maintenance Device & By-Pass Trim
  - F.7 Air maintenance Device
  - F.8 Air Pressure Supervisory Switch
  - F.9 Soft Seat Swing Check Valve

----- Dashed lines indicate pipe required but not included with Deluge Valve Conventional Trim and Easy Riser Check Valve Trim Packages.

\* Viking Deluge Valve Trim Packages contain items B.1 through B.15 and associated ripples. Viking Accessory Package for Conventional Deluge Valve Trim contains B.2 through B.5, B.7 through B.11, and B.14.

**Model F Deluge / Precision Valve\* - STRAIGHT THROUGH**

V233	1-1/2"	2"	2-1/2"	3"	4"	6"	8"
Thread X Thread	12126 \$4,781.59	12059 \$4,942.18	12401 \$6,526.22	N/A	N/A	N/A	N/A
Flange X Flange	N/A	N/A	N/A	12014 \$6,526.22	11953 \$8,501.01	11955 \$11,627.84	11991 \$26,338.47
Flange X Groove	N/A	N/A	N/A	12018 \$6,526.22	11952 \$8,501.01	11954 \$11,627.84	N/A
Groove X Groove	12125 \$4,781.59	12057 \$4,942.18	12403 \$6,526.22	12022 \$6,526.22	11513 \$8,501.01	11524 \$11,627.84	11018 \$26,338.47

See page O-19-20 for additional valve and trim options, including Halar® coated valves, horizontal trim, domestic trim, and brass trim packages.

\* Valve is not included in trim packages. Please order separately. See following page for trim packages and equipment.

**Preaction System - Double Interlocked - Pneumatic/Pneumatic Release**

	1-1/2"	2"	2-1/2"	3"	4"	6"	8"
<b>Trim (Vertical - Straight Through Valve) - Galvanized (IPG V236)</b>							
<b>Loose Trim</b> <i>(incl. accessory pkg-09316)</i>	<u>14634-1</u> \$5,329.24	<u>14634-1</u> \$5,329.24	<u>14636-1</u> \$5,215.35	<u>14636-1</u> \$5,215.35	<u>14639-1</u> \$5,457.32	<u>14641-1</u> \$5,470.13	<u>14642-1</u> \$7,923.71
<b>Modular Trim</b> <i>(incl. accessory pkg-09316)</i>	<u>14634-1P</u> \$5,810.40	<u>14634-1P</u> \$5,810.40	<u>14636-1P</u> \$5,696.46	<u>14636-1P</u> \$5,696.46	<u>14639-1P</u> \$5,940.73	<u>14641-1P</u> \$5,953.48	<u>14642-1P</u> \$8,407.08

	1-1/2"	2"	2-1/2"	3"	4"	6"	8"
<b>Releasing Devices (IPG V226)</b>							
<b>Pneumatic Actuator</b>	<u>06459B</u> \$1,029.29	<u>06459B</u> \$1,029.29	<u>06459B</u> \$1,029.29	<u>06459B</u> \$1,029.29	<u>06459B</u> \$1,029.29	<u>06459B</u> \$1,029.29	<u>06459B</u> \$1,029.29

On pneumatic/pneumatic preaction systems only, releasing devices (pneumatic actuators) are included in releasing trim.

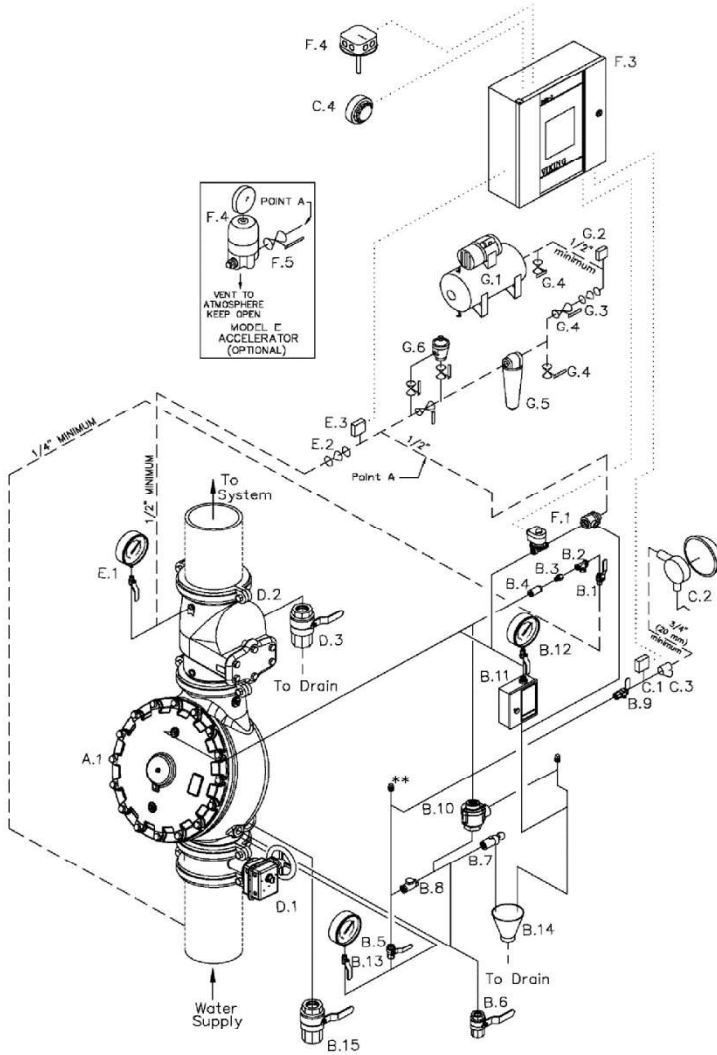
	1-1/2"	2"	2-1/2"	3"	4"	6"	8"
<b>Releasing Trim - Galvanized (IPG V238)</b>							
<b>Loose Trim</b>	<u>12662-1</u> \$2,771.31	<u>12662-1</u> \$2,771.31	<u>12662-1</u> \$2,771.31	<u>12662-1</u> \$2,771.31	<u>12662-1</u> \$2,771.31	<u>12662-1</u> \$2,771.31	<u>12662-1</u> \$2,771.31
<b>Modular Trim</b>	<u>12662-1P</u> P.O.A.	<u>12662-1P</u> P.O.A.	<u>12662-1P</u> P.O.A.	<u>12662-1P</u> P.O.A.	<u>12662-1P</u> P.O.A.	<u>12662-1P</u> P.O.A.	<u>12662-1P</u> P.O.A.

On pneumatic/pneumatic preaction systems only, releasing devices (pneumatic actuators) are included in releasing trim.

	1-1/2"	2"	2-1/2"	3"	4"	6"	8"
<b>Riser Check Valve and Trim (IPG V259 / V222)</b>							
<b>Riser Check Valve</b> Threaded	<u>10659</u> \$1,120.04	<u>10667</u> \$1,294.97	N/A	N/A	N/A	N/A	N/A
<b>Riser Check Valve</b> Flange / Flange	N/A	N/A	N/A	<u>08505</u> \$1,860.75	<u>08508</u> \$1,917.26	<u>08511</u> \$3,161.20	N/A
<b>Riser Check Valve</b> Flange / Groove	N/A	N/A	N/A	<u>08506</u> \$1,578.11	<u>08509</u> \$1,624.35	<u>08512</u> \$2,688.26	<u>08515</u> \$3,804.99
<b>Riser Check Valve</b> Groove / Groove	<u>11054</u> \$1,120.04	<u>11059</u> \$1,294.97	<u>07929</u> \$1,341.59	<u>08507</u> \$1,341.59	<u>08510</u> \$1,341.59	<u>08513</u> \$2,482.72	<u>08516</u> \$3,515.89
<b>Riser Check Valve Trim</b> <i>(For Preaction)</i>	<u>12960</u> \$378.80	<u>12960</u> \$378.80	<u>13776</u> \$948.97	<u>13776</u> \$948.97	<u>13777</u> \$1,003.14	<u>13777</u> \$1,003.14	<u>13777</u> \$1,003.14

Riser check valve trim includes system main drain valve and air pressure gauge.

**Praction System - Double Interlocked - Electric/Pneumatic Release**



**Description**

- A.1 Model F deluge valve  
Deluge valve conventional trim including:
  - B.1 Priming connection ball valve (N.O.)
  - B.2 Y strainer
  - B.3 Restricted orifice
  - B.4 Spring loaded in-line check valve
  - B.5 Alarm test valve (normally closed)
  - B.6 Auxiliary drain valve (normally closed)
  - B.7 Drip check valve
  - B.8 Drain check valve
  - B.9 Alarm shut-off valve (normally open)
  - B.10 Pressure operated relief valve (porv)
  - B.11 Model C emergency release
  - B.12 Priming pressure water gauge & valve
  - B.13 Water supply pressure gauge & valve
  - B.14 Drain cup
  - B.15 Flow test valve (normally closed)
- C.1 Alarm pressure switch and/or
- C.2 Model F-2 water motor alarm including:
  - C.3 3/4" / DN20 alarm line Y strainer
- C.4 Electric alarm bell
- D.1 Water supply control valve
- D.2 Easy Riser® check valve & trim including:
  - D.3 System main drain valve
- E.1 Air pressure gauge and valve
- E.2 Soft seat air supply check valve
- E.3 Air pressure supervisory switch
- F.1 Electric/pneumatic release module trim
  - F.1 Solenoid valve (normally closed)
  - F.1 Pneumatic actuator
- F.3 VFR500 release control panel
- F.4 Electric detection system
  - F.4 Model E-1 accelerator (optional)
  - F.5 Accelerator isolation ball valve
- G.1 Automatic air supply
- G.2 Air pressure supervisory switch
- G.3 Soft seat air supply check valve
- G.4 Shut-off ball valve
- G.5 Dehydrator package
- G.6 D-2 air maintenance device and by-pass trim

Components shown above are included in QuikPik packages as customized by user. See page O-9.

**Model F Deluge / Praction Valve\* - STRAIGHT THROUGH**

V233	1-1/2"	2"	2-1/2"	3"	4"	6"	8"
Thread X Thread	<u>12126</u> \$4,781.59	<u>12059</u> \$4,942.18	<u>12401</u> \$6,526.22	N/A	N/A	N/A	N/A
Flange X Flange	N/A	N/A	N/A	<u>12014</u> \$6,526.22	<u>11953</u> \$8,501.01	<u>11955</u> \$11,627.84	<u>11991</u> \$26,338.47
Flange X Groove	N/A	N/A	N/A	<u>12018</u> \$6,526.22	<u>11952</u> \$8,501.01	<u>11954</u> \$11,627.84	N/A
Groove X Groove	<u>12125</u> \$4,781.59	<u>12057</u> \$4,942.18	<u>12403</u> \$6,526.22	<u>12022</u> \$6,526.22	<u>11513</u> \$8,501.01	<u>11524</u> \$11,627.84	<u>11018</u> \$26,338.47

\* Valve is not included in trim packages. Please order separately. See following page for trim packages and equipment.



**Praction System - Double Interlocked - Electric/Pneumatic Release**

TrimPac®	V234	1-1/2"	2"	2-1/2"	3"	4"	6"	8"
Straight-Through		<u>13794B-5</u>	<u>13794B-5</u>	<u>13794B-5</u>	<u>13794B-5</u>	<u>13794B-5</u>	<u>13794B-5</u>	<u>13794B-5</u>
		\$9,979.96	\$9,979.96	\$9,979.96	\$9,979.96	\$9,979.96	\$9,979.96	\$9,979.96
TrimPac®	V234	1-1/2"	2"	2-1/2"	3"	4"	6"	8"
	Straight-Through with Monitored Solenoid		<u>28201B-5</u>	<u>28201B-5</u>	<u>28201B-5</u>	<u>28201B-5</u>	<u>28201B-5</u>	<u>28201B-5</u>
		\$10,819.04	\$10,819.04	\$10,819.04	\$10,819.04	\$10,819.04	\$10,819.04	\$10,819.04

TrimPac® includes conventional trim, releasing devices, releasing trim, and flexible hose kit.  
Drain package for TrimPac® must be ordered separately (see below).

**Drain Package (IPG V257)**

Use with TrimPac® (order separately)	11894-1	11894-2	11894-3	11894-3	11894-4	11894-4	11894-4
	\$876.54	\$709.00	\$803.47	\$803.47	\$1,031.22	\$1,031.22	\$1,031.22

**Trim (Vertical - Straight Through Valve) - Galvanized (IPG V236)**

	1-1/2"	2"	2-1/2"	3"	4"	6"	8"
Loose Trim <i>(incl. accessory pkg-09316)</i>	<u>14634-1</u>	<u>14634-1</u>	<u>14636-1</u>	<u>14636-1</u>	<u>14639-1</u>	<u>14641-1</u>	<u>14642-1</u>
Modular Trim <i>(incl. accessory pkg-09316)</i>	<u>14634-1P</u>	<u>14634-1P</u>	<u>14636-1P</u>	<u>14636-1P</u>	<u>14639-1P</u>	<u>14641-1P</u>	<u>14642-1P</u>
	\$5,810.40	\$5,810.40	\$5,696.46	\$5,696.46	\$5,940.73	\$5,953.48	\$8,407.08

**Releasing Devices**

	11601	11601	11601	11601	11601	11601	11601
Solenoid Valve	<u>11601</u>	<u>11601</u>	<u>11601</u>	<u>11601</u>	<u>11601</u>	<u>11601</u>	<u>11601</u>
Pneumatic Actuator IPG V226	<u>06459B</u>	<u>06459B</u>	<u>06459B</u>	<u>06459B</u>	<u>06459B</u>	<u>06459B</u>	<u>06459B</u>
	\$1,029.29	\$1,029.29	\$1,029.29	\$1,029.29	\$1,029.29	\$1,029.29	\$1,029.29

**Releasing Trim - Galvanized (IPG V238)**

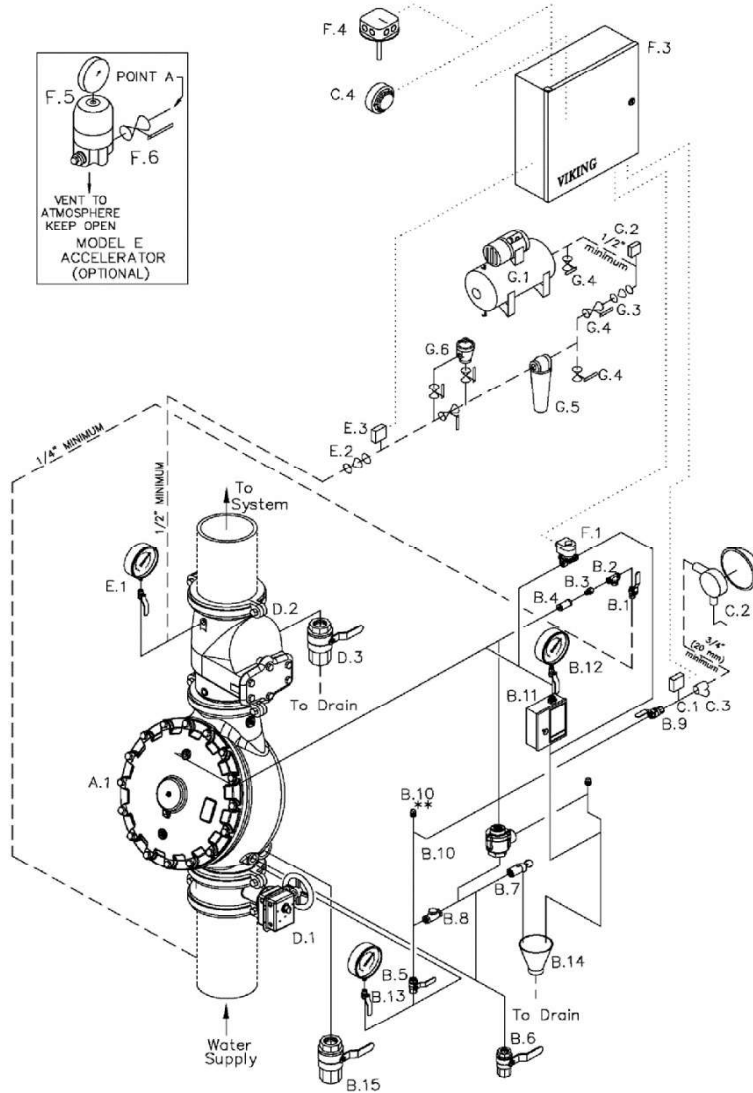
	12661-1	12661-1	12661-1	12661-1	12661-1	12661-1	12661-1
Loose Trim <i>(releasing device not incl.)</i>	<u>12661-1</u>	<u>12661-1</u>	<u>12661-1</u>	<u>12661-1</u>	<u>12661-1</u>	<u>12661-1</u>	<u>12661-1</u>
Modular Trim <i>(releasing device not incl.)</i>	<u>12661-1P</u>	<u>12661-1P</u>	<u>12661-1P</u>	<u>12661-1P</u>	<u>12661-1P</u>	<u>12661-1P</u>	<u>12661-1P</u>
	\$689.96	\$689.96	\$689.96	\$689.96	\$689.96	\$689.96	\$689.96
Loose Trim - DOMESTIC <i>(releasing device not incl.)</i>	<u>12661-1USA</u>	<u>12661-1USA</u>	<u>12661-1USA</u>	<u>12661-1USA</u>	<u>12661-1USA</u>	<u>12661-1USA</u>	<u>12661-1USA</u>
	\$230.37	\$230.37	\$230.37	\$230.37	\$230.37	\$230.37	\$230.37

**Riser Check Valve and Trim (IPG V259 / V222)**

	10659	10667	N/A	N/A	N/A	N/A	N/A
Riser Check Valve Threaded	<u>10659</u>	<u>10667</u>	N/A	N/A	N/A	N/A	N/A
	\$1,120.04	\$1,294.97					
Riser Check Valve Flange / Flange	N/A	N/A	N/A	<u>08505</u>	<u>08508</u>	<u>08511</u>	N/A
				\$1,860.75	\$1,917.26	\$3,161.20	
Riser Check Valve Flange / Groove	N/A	N/A	N/A	<u>08506</u>	<u>08509</u>	<u>08512</u>	<u>08515</u>
				\$1,070.11	\$1,029.33	\$2,000.20	\$3,007.33
Riser Check Valve Groove / Groove	<u>11054</u>	<u>11059</u>	<u>07929</u>	<u>08507</u>	<u>08510</u>	<u>08513</u>	<u>08516</u>
	\$1,120.04	\$1,294.97	\$1,341.59	\$1,341.59	\$1,341.59	\$2,482.72	\$3,515.89
Riser Check Valve Trim (For Praction)	\$378.80	\$378.80	\$948.97	\$948.97	\$1,003.14	\$1,003.14	\$1,003.14

Riser check valve trim includes system main drain valve and air pressure gauge.

**Preaction System - Double Interlocked - Electric/Pneumatic Release**



**Description**

- A.1 Deluge valve  
Deluge valve conventional trim including:
- B.1 Priming connection ball valve (N.O.)
- B.2 Y strainer
- B.3 Restricted orifice
- B.4 Spring loaded in-line check valve
- B.5 Alarm test valve (normally closed)
- B.6 Auxiliary drain valve (normally closed)
- B.7 Drip check valve
- B.8 Drain check valve
- B.9 Alarm shut-off valve (normally open)
- B.10 Pressure operated relief valve (PORV)
- B.11 Model c emergency release
- B.12 Priming pressure water gauge & valve
- B.13 Water supply pressure gauge & valve
- B.14 Drain cup
- B.15 Flow test valve (normally closed)
- C.1 Alarm pressure switch and/or
- C.2 Model F-2 water motor alarm including:
- C.3 3/4" / DN20 alarm line Y strainer
- C.4 Electric alarm bell
- D.1 Water supply control valve
- D.2 Easy Riser® check valve  
Easy Riser® trim for preaction (including)
- D.3 System main drain valve
- E.1 Air pressure gauge and valve
- E.2 Soft seat air supply check valve
- E.3 Air pressure supervisory switch
- F.1 Solenoid valve (normally closed)
- F.2 Electric release module trim
- F.3 VFR-500 Release control panel
- F.4 Electric detection system
- F.5 Model E-1 accelerator (optional)
- F.6 Accelerator isolation ball valve
- G.1 Automatic air supply
- G.2 Air pressure supervisory switch
- G.3 Soft seat air supply check valve
- G.4 Shut-off ball valve
- G.5 Dehydrator package
- G.6 D-2 air maintenance device & by-pass trim

Components shown above are included in Quik Pik packages as customized by user. See page O-11.

**Model F Deluge / Preaction Valve\* - STRAIGHT THROUGH**

V233	1-1/2"	2"	2-1/2"	3"	4"	6"	8"
Thread X Thread	<u>12126</u> \$4,781.59	<u>12059</u> \$4,942.18	<u>12401</u> \$6,526.22	N/A	N/A	N/A	N/A
Flange X Flange	N/A	N/A	N/A	<u>12014</u> \$6,526.22	<u>11953</u> \$8,501.01	<u>11955</u> \$11,627.84	<u>11991</u> \$26,338.47
Flange X Groove	N/A	N/A	N/A	<u>12018</u> \$6,526.22	<u>11952</u> \$8,501.01	<u>11954</u> \$11,627.84	N/A
Groove X Groove	<u>12125</u> \$4,781.59	<u>12057</u> \$4,942.18	<u>12403</u> \$6,526.22	<u>12022</u> \$6,526.22	<u>11513</u> \$8,501.01	<u>11524</u> \$11,627.84	<u>11018</u> \$26,338.47

\* Valve is not included in trim packages. Please order separately. See following page for trim packages and equipment.

**Praction System - Double Interlocked - Electric/Pneumatic Release**

TrimPac® V234	1-1/2"	2"	2-1/2"	3"	4"	6"	8"
<u>Straight-Through</u>	<u>13796B-6</u>	<u>13796B-6</u>	<u>13796B-6</u>	<u>13796B-6</u>	<u>13796B-6</u>	<u>13796B-6</u>	<u>13796B-6</u>
Galvanized	\$8,490.86	\$8,490.86	\$8,490.86	\$8,490.86	\$8,490.86	\$8,490.86	\$8,490.86
<u>Straight-Through† with</u>	<u>28198B-6</u>	<u>28198B-6</u>	<u>28198B-6</u>	<u>28198B-6</u>	<u>28198B-6</u>	<u>28198B-6</u>	<u>28198B-6</u>
Monitored Solenoid Galv	\$9,329.98	\$9,329.98	\$9,329.98	\$9,329.98	\$9,329.98	\$9,329.98	\$9,329.98
<u>Straight-Through† with</u>	<u>28198B-6B</u>	<u>28198B-6B</u>	<u>28198B-6B</u>	<u>28198B-6B</u>	<u>28198B-6B</u>	<u>28198B-6B</u>	<u>28198B-6B</u>
Monitored Solenoid Brass	\$10,522.63	\$10,522.63	\$10,522.63	\$10,522.63	\$10,522.63	\$10,522.63	\$10,522.63

TrimPac® includes conventional trim, releasing device (solenoid valve), releasing trim, and flexible hose kit.

Drain package for TrimPac® must be ordered separately (see below).

**Drain Package (IPG V257)**

Use with TrimPac® (order separately)	11894-1	11894-2	11894-3	11894-3	11894-4	11894-4	11894-4
	\$876.54	\$709.00	\$803.47	\$803.47	\$1,031.22	\$1,031.22	\$1,031.22

	1-1/2"	2"	2-1/2"	3"	4"	6"	8"
--	--------	----	--------	----	----	----	----

**Trim (Vertical - Straight Through Valve) - Galvanized (IPG V236)**

<u>Loose Trim</u>	<u>14634-1</u>	<u>14634-1</u>	<u>14636-1</u>	<u>14636-1</u>	<u>14639-1</u>	<u>14641-1</u>	<u>14642-1</u>
(incl. accessory pkg-09316)	\$5,329.24	\$5,329.24	\$5,215.35	\$5,215.35	\$5,457.32	\$5,470.13	\$7,923.71
<u>Modular Trim</u>	<u>14634-1P</u>	<u>14634-1P</u>	<u>14636-1P</u>	<u>14636-1P</u>	<u>14639-1P</u>	<u>14641-1P</u>	<u>14642-1P</u>
(incl. accessory pkg-09316)	\$5,810.40	\$5,810.40	\$5,696.46	\$5,696.46	\$5,940.73	\$5,953.48	\$8,407.08

	1-1/2"	2"	2-1/2"	3"	4"	6"	8"
--	--------	----	--------	----	----	----	----

**Releasing Devices (IPG V240)**

<u>Solenoid Valve</u>	<u>11601</u>	<u>11601</u>	<u>11601</u>	<u>11601</u>	<u>11601</u>	<u>11601</u>	<u>11601</u>
	\$1,597.55	\$1,597.55	\$1,597.55	\$1,597.55	\$1,597.55	\$1,597.55	\$1,597.55

**Releasing Trim - Galvanized (IPG V238)**

<u>Loose Trim</u>	<u>10830</u>	<u>10830</u>	<u>10830</u>	<u>10830</u>	<u>10830</u>	<u>10830</u>	<u>10830</u>
(releasing device not incl.)	\$166.50	\$166.50	\$166.50	\$166.50	\$166.50	\$166.50	\$166.50
<u>Modular Trim</u>	<u>10830P</u>	<u>10830P</u>	<u>10830P</u>	<u>10830P</u>	<u>10830P</u>	<u>10830P</u>	<u>10830P</u>
(releasing device not incl.)	\$718.70	\$718.70	\$718.70	\$718.70	\$718.70	\$718.70	\$718.70

<u>Loose Trim - DOMESTIC</u>	<u>10830USA</u>	<u>10830USA</u>	<u>10830USA</u>	<u>10830USA</u>	<u>10830USA</u>	<u>10830USA</u>	<u>10830USA</u>
(releasing device not incl.)	\$221.96	\$221.96	\$221.96	\$221.96	\$221.96	\$221.96	\$221.96

	1-1/2"	2"	2-1/2"	3"	4"	6"	8"
--	--------	----	--------	----	----	----	----

**Riser Check Valve and Trim (IPG V259 / V222)**

<u>Riser Check Valve</u>	<u>10659</u>	<u>10667</u>	N/A	N/A	N/A	N/A	N/A
Threaded	\$1,120.04	\$1,294.97					
<u>Riser Check Valve</u>	N/A	N/A	N/A	<u>08505</u>	<u>08508</u>	<u>08511</u>	N/A
Flange / Flange				\$1,860.75	\$1,917.26	\$3,161.20	
<u>Riser Check Valve</u>	N/A	N/A	N/A	<u>08506</u>	<u>08509</u>	<u>08512</u>	<u>08515</u>
Flange / Groove				\$1,578.11	\$1,624.35	\$2,688.26	\$3,804.99
<u>Riser Check Valve</u>	<u>11054</u>	<u>11059</u>	<u>07929</u>	<u>08507</u>	<u>08510</u>	<u>08513</u>	<u>08516</u>
Groove / Groove	\$1,120.04	\$1,294.97	\$1,341.59	\$1,341.59	\$1,341.59	\$2,482.72	\$3,515.89
<u>Riser Check Valve Trim</u>	<u>12960</u>	<u>12960</u>	<u>13776</u>	<u>13776</u>	<u>13777</u>	<u>13777</u>	<u>13777</u>
(For Praction)	\$378.80	\$378.80	\$948.97	\$948.97	\$1,003.14	\$1,003.14	\$1,003.14

Riser check valve trim includes system main drain valve and air pressure gauge.

**Model VXD Double Interlock Preaction System, Electric/Pneu-Lectric Release with Model EA-1**



Model EA-1 Electronic Accelerator\*  
\*See page O-16 for list price

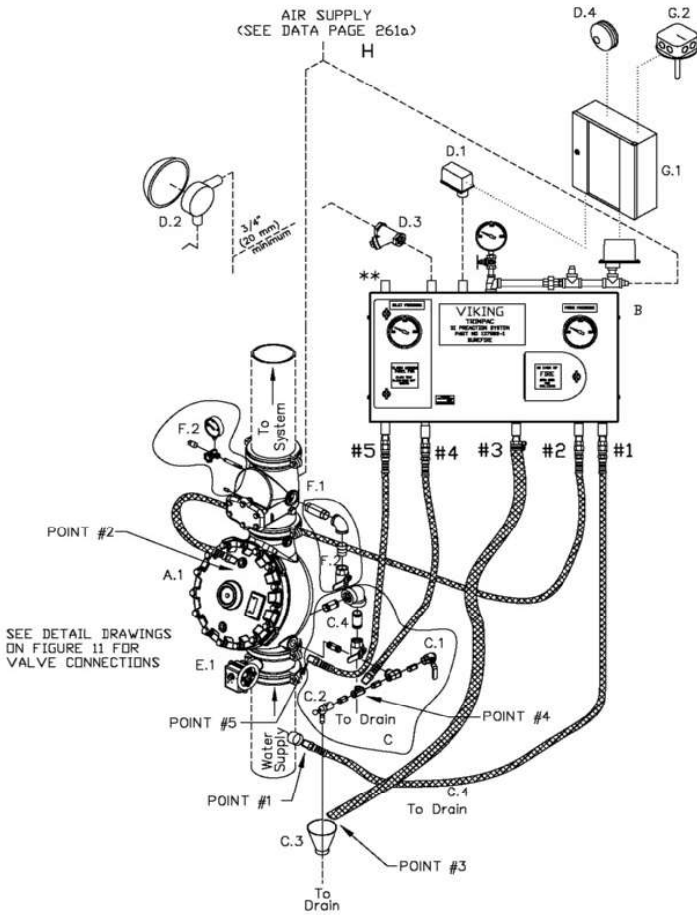


<b>Pretrimmed Option</b>			
<i>Pretrimmed Riser assemblies include the model VXD Deluge Valve, riser check valve, pressure switches, releasing solenoid, water supply control valve, grooved connections for installation, and the EA-1 all completely assembled and ready to install into the riser.</i>			
<b>IPG: V405</b>	<b>4"</b>	<b>6"</b>	<b>8"</b>
Galvanized Pretrimmed Riser (PTR)	26680 \$26,142.56	26682 \$26,916.84	26684 \$40,151.40
<b>Monitored Solenoid Solutions</b>			
<b>IPG: V405</b>	<b>4"</b>	<b>6"</b>	<b>8"</b>
Galvanized Pretrimmed Riser (PTR)	28236 \$26,142.56	28237 \$26,916.84	28238 \$40,151.40

<b>Loose Trim Options</b>				
<i>Loose trim packages DO NOT include the model VXD Deluge Valve, riser check valve, pressure switch(es), or water supply control valve. These packages include the Model EA-1 Accelerator and the CoilKeeper. Refer to the trim diagrams for detailed component information.</i>				
<b>IPG: V401</b>	<b>4"</b>	<b>6"</b>	<b>8"</b>	<b>10"</b>
Galvanized Loose Trim	27463-1 \$11,806.55	27465-1 \$11,806.55	27467-1 \$14,254.49	27469-1 \$14,254.49
<b>IPG: V401</b>	<b>4"</b>	<b>6"</b>	<b>8"</b>	<b>10"</b>
Brass Loose Trim	27463-2 \$13,613.41	27465-2 \$13,613.41	27467-2 \$16,793.10	27469-2 \$16,793.10
<b>Monitored Solenoid Solutions</b>				
<b>IPG: V401</b>	<b>4"</b>	<b>6"</b>	<b>8"</b>	<b>10"</b>
Galvanized Loose Trim	28241-1 \$11,806.55	28242-1 \$11,806.55	28243-1 \$14,254.49	28244-1 \$14,254.49
<b>IPG: V401</b>	<b>4"</b>	<b>6"</b>	<b>8"</b>	<b>10"</b>
Brass Loose Trim	28241-2 \$13,613.41	28242-2 \$13,613.41	28243-2 \$16,793.10	28244-2 \$16,793.10

<b>Release Model DPU Riser System</b>								
Normal Size	System Type							
	Dry PTR System		Dry PTR System w/ Isolation Valve		Single Interlock Preaction with Electric Release Conversion Kit	Double Interlock w/ Electric/Pneumatic Release Conversion Kit		
1-1 1/2"	27960	#N/A	28384	#N/A	27946 #N/A	27951 #N/A		
2"	27961	#N/A	28385	#N/A		27952	#N/A	
2-2 1/2"	27962	#N/A	28386	#N/A	27947 #N/A	27953	#N/A	
3"	27963	#N/A	28387	#N/A		27954 #N/A		
4"	27964	19404.74	28388	21061.149				
6"	27965	22440.25	28389	24595.283				
8"	27966	#N/A	28390	#N/A				

**SureFire® Preaction System - Single/Double Interlocked**



- SUREFIRE SINGLE INTERLOCKED  
 PREACTION SYSTEM
- A System Valve
    - A.1 Deluge Valve
  - B Trimpac
    - Trimpac Components (S)
  - C Trimpac Drain Package
    - C.1 Auxiliary Drain Valve (NC)
    - C.2 Drip Check Valve
    - C.3 Drain Cup
    - C.4 Flow Test Valve (NC)
  - D Water Flow Alarm Equipment
    - D.1 Alarm Pressure Switch
    - D.2 Water Motor Alarm (F-2) (Optional)
    - D.3 Strainer
    - D.4 Electric Alarm Bell
  - E Riser
    - E.1 Water Supply Control Valve
  - F Check Valve
    - F.1 2-1/2"-6" Easy Riser Check Valve
    - F.2 Check Valve Trim
  - G Release System
    - G.1 Par-3 or VFR400 Release Control Panel (VFR400 Panel available 1st qtr. 2008)
    - G.2 Electric Detection System (Heat Detector shown for clarity)
  - H Air Supply

Components shown above are included in Quik Pik packages as customized by user. See page O-13.

**Model F Deluge / Preaction Valve\* - STRAIGHT THROUGH**

V233	1-1/2"	2"	2-1/2"	3"	4"	6"	8"
Thread X Thread	<u>12126</u> \$4,781.59	<u>12059</u> \$4,942.18	<u>12401</u> \$6,526.22	N/A	N/A	N/A	N/A
Flange X Flange	N/A	N/A	N/A	<u>12014</u> \$6,526.22	<u>11953</u> \$8,501.01	<u>11955</u> \$11,627.84	<u>11991</u> \$26,338.47
Flange X Groove	N/A	N/A	N/A	<u>12018</u> \$6,526.22	<u>11952</u> \$8,501.01	<u>11954</u> \$11,627.84	N/A
Groove X Groove	<u>12125</u> \$4,781.59	<u>12057</u> \$4,942.18	<u>12403</u> \$6,526.22	<u>12022</u> \$6,526.22	<u>11513</u> \$8,501.01	<u>11524</u> \$11,627.84	<u>11018</u> \$26,338.47

See page O-19-20 for additional valve and trim options, including Halar® coated valves, horizontal trim, domestic trim, and brass trim packages.

\* Valve is not included in trim packages. Please order separately. See following page for trim packages and equipment.

**SureFire® Preaction System - Single/Double Interlocked**

Viking's SureFire® fail safe preaction system is available in TrimPac arrangement only. Loose or modular trim not offered.

TrimPac® <sup>1,2,3</sup> V234	1-1/2"	2"	2-1/2"	3"	4"	6"	8"
<b>Single Interlock</b> <i>(includes release &amp; trim)</i>	<u>13798D-1</u> \$11,464.39	<u>13798D-1</u> \$11,464.39	<u>13798D-1</u> \$11,464.39	<u>13798D-1</u> \$11,464.39	<u>13798D-1</u> \$11,464.39	<u>13798D-1</u> \$11,464.39	<u>13798D-1</u> \$11,464.39
<b>SI with Monitored Solenoid</b> <i>(includes release &amp; trim)</i>	<u>28231D-1</u> \$12,303.48	<u>28231D-1</u> \$12,303.48	<u>28231D-1</u> \$12,303.48	<u>28231D-1</u> \$12,303.48	<u>28231D-1</u> \$12,303.48	<u>28231D-1</u> \$12,303.48	<u>28231D-1</u> \$12,303.48
<b>Double Interlock</b> <i>(includes release &amp; trim)</i>	<u>13799D-2</u> \$12,537.80	<u>13799D-2</u> \$12,537.80	<u>13799D-2</u> \$12,537.80	<u>13799D-2</u> \$12,537.80	<u>13799D-2</u> \$12,537.80	<u>13799D-2</u> \$12,537.80	<u>13799D-2</u> \$12,537.80
<b>DI with Monitored Solenoid</b> <i>(includes release &amp; trim)</i>	<u>28232D-2</u> \$13,435.80	<u>28232D-2</u> \$13,435.80	<u>28232D-2</u> \$13,435.80	<u>28232D-2</u> \$13,435.80	<u>28232D-2</u> \$13,435.80	<u>28232D-2</u> \$13,435.80	<u>28232D-2</u> \$13,435.80

- (1) SureFire® TrimPac® systems include conventional trim, releasing device, releasing trim, and flexible hose kit.
- (2) Drain package for TrimPac® must be ordered separately (see below).
- (3) Galvanized trim. Brass trim options shown on page O-21.

**Drain Package (IPG V257)**

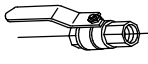
Use with TrimPac® <i>(order separately)</i>	11894-1	11894-2	11894-3	11894-3	11894-4	11894-4	11894-4
	\$876.54	\$709.00	\$803.47	\$803.47	\$1,031.22	\$1,031.22	\$1,031.22



	1-1/2"	2"	2-1/2"	3"	4"	6"	8"
<b>Riser Check Valve and Trim (IPG V259 / V222)</b>							
<b>Riser Check Valve</b> Threaded	<u>10659</u> \$1,120.04	<u>10667</u> \$1,294.97	N/A	N/A	N/A	N/A	N/A
<b>Riser Check Valve</b> Flange / Flange	N/A	N/A	N/A	<u>08505</u> \$1,860.75	<u>08508</u> \$1,917.26	<u>08511</u> \$3,161.20	N/A
<b>Riser Check Valve</b> Flange / Groove	N/A	N/A	N/A	<u>08506</u> \$1,578.11	<u>08509</u> \$1,624.35	<u>08512</u> \$2,688.26	<u>08515</u> \$3,804.99
<b>Riser Check Valve</b> Groove / Groove	<u>11054</u> \$1,120.04	<u>11059</u> \$1,294.97	<u>07929</u> \$1,341.59	<u>08507</u> \$1,341.59	<u>08510</u> \$1,341.59	<u>08513</u> \$2,482.72	<u>08516</u> \$3,515.89
<b>Riser Check Valve Trim</b> <i>(For Preaction)</i>	<u>12960</u> \$378.80	<u>12960</u> \$378.80	<u>13776</u> \$948.97	<u>13776</u> \$948.97	<u>13777</u> \$1,003.14	<u>13777</u> \$1,003.14	<u>13777</u> \$1,003.14

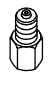


Riser check valve trim includes system main drain valve and air pressure gauge.

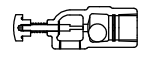
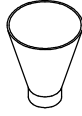
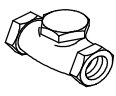
<b>Accessories for TrimPac®</b>			
<b>Replacement Hose</b> PVC drain hose	V234	<u>12071</u>	<u>\$233.57</u>
<b>Riser Mounting Kit</b> <i>(use when mounting TrimPac® unit to riser)</i>	V234		
Vertical		<u>11900</u>	<u>\$1,621.97</u>
Horizontal		<u>11901</u>	<u>\$2,230.32</u>
<b>Air Line Trim - TANK MOUNTED</b> <i>(not for use with Deluge TrimPac® Systems)</i>	V234	<u>13770</u>	<u>\$2,932.66</u>
<b>Air Line Trim - TANKLESS</b> <i>(not for use with Deluge TrimPac® Systems)</i>	V234	<u>13771</u>	<u>\$1,858.06</u>

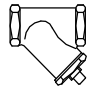
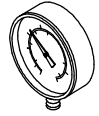
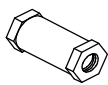
**Accessories and Additional Components**

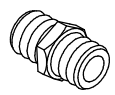

<b>In-Line Check Valves</b>  Model K-1 (threaded) 1½" 10659 \$1,120.04 2" 10667 \$1,294.97  Model L-1 (grooved) 1½" 11054 \$1,120.04 2" 11059 \$1,294.97  IPG V259		<b>In-Line Check Valve Trim (1-1/2" - 2")</b>  Model L-1 / K-1 12960 \$378.80  IPG V222		<b>Ball Valve</b> IPG V226   Brass 1/4" 10354USA \$74.68 1/2" 10355USA \$76.90 1" 10356 \$106.25  Stainless Steel 10645 \$444.76 10646 \$709.40 10647 \$859.91 10648 \$1,639.12 10649 \$2,224.90	
--	--	---	--	--	--

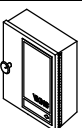
<b>Pressure Operated Relief Valve (PORV) - Model D-3</b>   ½" / DN15 Brass 16970 \$2,403.04  IPG V242		<b>Pressure Operated Relief Valve (PORV) - Model D-4</b>   ½" / DN15 Corrosion Resistant 16971 \$3,696.98  IPG V242	
---	--	---	--

<b>Restricted Orifice</b> IPG V226  1/4" (DN8)  1/16" (1.6mm) 10110 \$62.22 Corrosion Resistant 1/16" (1.6mm) 10110J \$145.03		<b>Air Gauge</b> 0-300 psi (2068 kPa)  1/4" / DN8 VAIRSF \$29.92  IPG SR295		<b>Globe Valve for Gauges (side outlet)</b>   1/4" / DN8 76V-25 \$26.52  IPG V226	
--	--	--	--	--	--

<b>Drip Check Valve - Model D-1</b> Velocity Check 3/4" / DN20  10730 \$314.48 Corrosion Resistant (D-4) IPG V226 10733 \$474.35		<b>Drain Cup</b>   1½" / DN40 01019B \$30.80  IPG V226		<b>Drain Check Valve</b> IPG V226  1/2" / DN15  05781A \$160.03 Corrosion Resistant 05781AJ \$334.79	
---	--	--	--	---	--


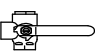
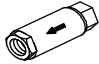
<b>Y Strainer</b> IPG SR260   1/4" / DN15 14BYS \$43.22		<b>Water Gauge</b> 0-300 psi  1/4" WWATERSF \$31.27  IPG SR295		<b>In-Line Check Valve</b> IPG V226  1/4" / DN8  04947A \$148.86	
--	--	--	--	--	--

<b>Accessories for TrimPac® (IPG V234)</b>  <b>Riser Mounting Kit</b> (when mounting TrimPac to riser) Vertical 11900 \$1,621.97 Horizontal 11901 \$2,230.32		<b>Restricted Orifice</b> 5/64" / 2mm  1/2" / DN15 11706 \$128.52  IPG V226		<b>EA-1 Electronic Accelerator</b>   27327 \$3,634.27  IPG V226	
---	--	--	--	--	--



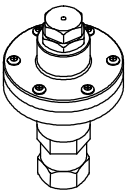

<b>Replacement Hose</b> PVC drain hose 12071 \$233.57		<b>Emergency Release</b>  1/2" (Galvanized) Brass Corrosion Resistant Model C-1 Model C-2 Model C-3 01553C \$614.74 09387 \$1,025.43 09734 \$1,258.05  IPG V226			
--	--	--	--	--	--

<b>Air Line Trim</b> (not for use with Deluge TrimPac System) Tank Mounted 13770 \$2,932.66 Tankless 13771 \$1,858.06		<b>Prime Shut-Off Valve</b> IPG V226   1/2" / DN15 10723 \$1,361.58 Corrosion Resistant 10724 \$2,433.74			
--	--	---	--	--	--




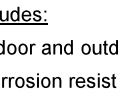

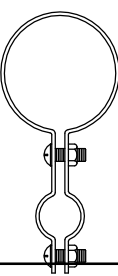
**Accessories for Old Style Trim**

<b>A-2 Strainer Orifice Chk Vlv</b>   1/4" (DN8) 06579B \$584.48  V226		<b>Alarm Test/Alarm Shut-Off Valve</b>   1/2" (DN15) 06174A \$629.32  V226		<b>Spring Loaded Check Valve</b> (with viton disc)  1/2" (DN15) 12WILC \$289.70  SR140	
---	--	---	--	---	--




**Accessories for Pneumatic Release Systems**


<p><b>Pneumatic Actuator</b></p>  <p>1/2" (DN15) Model H-1 06459B \$1,029.29 Corrosion Resistant (Model R-1) 09733 \$2,322.05</p> <p style="text-align: right;">IPG V226</p>	<p><b>Accelerator (Model E-1)</b></p>  <p>Model E-1 List 08055 \$2,545.24</p> <p style="text-align: right;">IPG V226</p>																					
<p><b>Model D-2 - Air Pressure Maintenance Device</b></p>  <table border="1"> <thead> <tr> <th>Size</th> <th>Part #</th> <th>List Price</th> </tr> </thead> <tbody> <tr> <td>1/4" / DN8</td> <td>02280C</td> <td>\$1,215.26</td> </tr> </tbody> </table> <p style="text-align: right;">IPG V226</p>	Size	Part #	List Price	1/4" / DN8	02280C	\$1,215.26	<p><b>Model D-2 - Air Pressure Maintenance Device</b></p>  <table border="1"> <thead> <tr> <th>Size</th> <th>Part #</th> <th>List Price</th> </tr> </thead> <tbody> <tr> <td>1/2" / DN15</td> <td>07459</td> <td>\$2,135.55</td> </tr> <tr> <td colspan="3"><b>DOMESTIC</b></td> </tr> <tr> <th>Size</th> <th>Part #</th> <th>List Price</th> </tr> <tr> <td>1/2" / DN15</td> <td>07459USA</td> <td>\$2,847.38</td> </tr> </tbody> </table> <p style="text-align: right;">IPG V226</p>	Size	Part #	List Price	1/2" / DN15	07459	\$2,135.55	<b>DOMESTIC</b>			Size	Part #	List Price	1/2" / DN15	07459USA	\$2,847.38
Size	Part #	List Price																				
1/4" / DN8	02280C	\$1,215.26																				
Size	Part #	List Price																				
1/2" / DN15	07459	\$2,135.55																				
<b>DOMESTIC</b>																						
Size	Part #	List Price																				
1/2" / DN15	07459USA	\$2,847.38																				
<p><b>Dehydrator Package</b></p> <p>Includes:</p> <ul style="list-style-type: none"> <li>- Desiccant 1/4" (DN8)</li> <li>- Mounting Brackets 16854 \$2,875.36</li> <li>- Nipples Extra Desiccant* 16855 \$651.03</li> </ul> <p style="text-align: right;">IPG V226</p> <p style="text-align: right;">*one unit fills dehydrator</p>	<p><b>Replacement Restriction</b></p> <p>Release Line Air Supply</p>  <table border="1"> <thead> <tr> <th>Part #</th> <th>List Price</th> </tr> </thead> <tbody> <tr> <td>02902B</td> <td>\$294.44</td> </tr> </tbody> </table> <p style="text-align: right;">IPG V226</p>	Part #	List Price	02902B	\$294.44																	
Part #	List Price																					
02902B	\$294.44																					

**Accessories for Pneumatic and Hydraulic Systems**

<p><b>Thermostatic Release (Model C-1)</b></p> <p>(Includes 155°F/68°C fixed temperature release)</p> <p>- indoor and outdoor use</p>  <table border="1"> <thead> <tr> <th>Standard</th> <th></th> <th></th> </tr> </thead> <tbody> <tr> <td>01432C</td> <td></td> <td>\$2,722.50</td> </tr> <tr> <td colspan="3"><b>Nitrogen Tested</b></td> </tr> <tr> <td>05006A</td> <td></td> <td>\$2,932.80</td> </tr> </tbody> </table> <p style="text-align: right;">IPG V226</p>	Standard			01432C		\$2,722.50	<b>Nitrogen Tested</b>			05006A		\$2,932.80	<p><b>Thermostatic Release (Model C-2)</b></p> <p>(Includes 155°F/68°C fixed temperature release)</p> <p>- indoor and outdoor use</p> <p>- corrosion resistant</p> <p>- for use in salt water environments</p> <table border="1"> <thead> <tr> <th>Standard</th> <th></th> <th></th> </tr> </thead> <tbody> <tr> <td>03991C-18</td> <td></td> <td>\$3,239.70</td> </tr> <tr> <td colspan="3"><b>Nitrogen Tested</b></td> </tr> <tr> <td>10367</td> <td></td> <td>\$3,450.02</td> </tr> </tbody> </table> <p style="text-align: right;">IPG V226</p>	Standard			03991C-18		\$3,239.70	<b>Nitrogen Tested</b>			10367		\$3,450.02																																									
Standard																																																																		
01432C		\$2,722.50																																																																
<b>Nitrogen Tested</b>																																																																		
05006A		\$2,932.80																																																																
Standard																																																																		
03991C-18		\$3,239.70																																																																
<b>Nitrogen Tested</b>																																																																		
10367		\$3,450.02																																																																
<p><b>Fixed Temperature Release (Model M HP - VK800)</b></p> <p>1/2" (15 mm) - RATED TO 250 PSI (1724 kPa)</p>  <table border="1"> <thead> <tr> <th></th> <th></th> <th></th> <th></th> </tr> </thead> <tbody> <tr> <td>Brass</td> <td>07848AB</td> <td></td> <td>\$86.36</td> </tr> <tr> <td>Chrome</td> <td>07848FB</td> <td></td> <td>\$92.58</td> </tr> <tr> <td>White</td> <td>07848MB/W</td> <td></td> <td>\$94.35</td> </tr> </tbody> </table> <p>Add the temperature suffix to the part number (155 deg shown): (°F/°C) A=135°/57°, B=155°/68°, D=175°/79°, E=200°/93°, G=286°/141°</p> <p style="text-align: right;">IPG V226</p>					Brass	07848AB		\$86.36	Chrome	07848FB		\$92.58	White	07848MB/W		\$94.35	<p><b>Replacement Fixed Temperature Release</b></p> <p>155°F/68°C</p>  <table border="1"> <thead> <tr> <th>Model C-1</th> <th></th> <th></th> </tr> </thead> <tbody> <tr> <td>07848FB</td> <td></td> <td>\$92.58</td> </tr> <tr> <td colspan="3"><b>Model C-2</b></td> </tr> <tr> <td>07848CB</td> <td></td> <td>\$110.38</td> </tr> </tbody> </table> <p style="text-align: right;">IPG V226</p>	Model C-1			07848FB		\$92.58	<b>Model C-2</b>			07848CB		\$110.38																																					
Brass	07848AB		\$86.36																																																															
Chrome	07848FB		\$92.58																																																															
White	07848MB/W		\$94.35																																																															
Model C-1																																																																		
07848FB		\$92.58																																																																
<b>Model C-2</b>																																																																		
07848CB		\$110.38																																																																
<p><b>Operation Indicator</b></p> <p>Includes:</p> <p>- indoor and outdoor use</p> <p>- corrosion resistant</p>  <table border="1"> <thead> <tr> <th>1/2" (DN15)</th> <th></th> <th></th> </tr> </thead> <tbody> <tr> <td>02944A</td> <td></td> <td>\$106.81</td> </tr> </tbody> </table> <p style="text-align: right;">IPG V226</p>	1/2" (DN15)			02944A		\$106.81	<p><b>Adjustment Kit</b></p> <p>Includes:</p> <p>- indoor and outdoor use</p> <p>- corrosion resistant</p>  <table border="1"> <thead> <tr> <th>Model C-1 and C-2</th> <th></th> <th></th> </tr> </thead> <tbody> <tr> <td>01714A</td> <td></td> <td>\$325.50</td> </tr> </tbody> </table> <p style="text-align: right;">IPG V226</p>	Model C-1 and C-2			01714A		\$325.50																																																					
1/2" (DN15)																																																																		
02944A		\$106.81																																																																
Model C-1 and C-2																																																																		
01714A		\$325.50																																																																
<p><b>Release Line Hangers</b> - includes two screws/nuts</p>  <table border="1"> <thead> <tr> <th>Size in/DN</th> <th colspan="2">1/2"</th> <th colspan="2">1"</th> </tr> </thead> <tbody> <tr> <td>1" / DN25</td> <td>09574</td> <td>\$53.18</td> <td>25660</td> <td>\$36.37</td> </tr> <tr> <td>1 1/4" / DN32</td> <td>09575</td> <td>\$36.37</td> <td>25661</td> <td>\$36.37</td> </tr> <tr> <td>1 1/2" / DN40</td> <td>09576</td> <td>\$36.37</td> <td>25662</td> <td>\$36.37</td> </tr> <tr> <td>2" / DN50</td> <td>09577</td> <td>\$36.37</td> <td>25663</td> <td>\$36.37</td> </tr> <tr> <td>2 1/2" / DN65</td> <td>09578</td> <td>\$36.37</td> <td>25664</td> <td>\$36.37</td> </tr> <tr> <td>3" / DN80</td> <td>09579</td> <td>\$36.37</td> <td>25665</td> <td>\$36.37</td> </tr> </tbody> </table> <table border="1"> <thead> <tr> <th></th> <th colspan="2">1/2"</th> <th colspan="2">1"</th> </tr> </thead> <tbody> <tr> <td>3 1/2" / DN90</td> <td>09580</td> <td>\$36.37</td> <td>25666</td> <td>\$36.37</td> </tr> <tr> <td>4" / DN100</td> <td>09581</td> <td>\$53.18</td> <td>25667</td> <td>\$53.18</td> </tr> <tr> <td>5" / DN125</td> <td>09582</td> <td>\$53.18</td> <td>25668</td> <td>\$53.18</td> </tr> <tr> <td>6" / DN150</td> <td>09583</td> <td>\$53.18</td> <td>25669</td> <td>\$53.18</td> </tr> <tr> <td>8" / DN200</td> <td>09584</td> <td>\$53.18</td> <td>25670</td> <td>\$53.18</td> </tr> </tbody> </table> <p>Stainless steel available upon request at additional cost. Add suffix "SST" to base part number.</p> <p style="text-align: right;">IPG V226</p>		Size in/DN	1/2"		1"		1" / DN25	09574	\$53.18	25660	\$36.37	1 1/4" / DN32	09575	\$36.37	25661	\$36.37	1 1/2" / DN40	09576	\$36.37	25662	\$36.37	2" / DN50	09577	\$36.37	25663	\$36.37	2 1/2" / DN65	09578	\$36.37	25664	\$36.37	3" / DN80	09579	\$36.37	25665	\$36.37		1/2"		1"		3 1/2" / DN90	09580	\$36.37	25666	\$36.37	4" / DN100	09581	\$53.18	25667	\$53.18	5" / DN125	09582	\$53.18	25668	\$53.18	6" / DN150	09583	\$53.18	25669	\$53.18	8" / DN200	09584	\$53.18	25670	\$53.18
Size in/DN	1/2"		1"																																																															
1" / DN25	09574	\$53.18	25660	\$36.37																																																														
1 1/4" / DN32	09575	\$36.37	25661	\$36.37																																																														
1 1/2" / DN40	09576	\$36.37	25662	\$36.37																																																														
2" / DN50	09577	\$36.37	25663	\$36.37																																																														
2 1/2" / DN65	09578	\$36.37	25664	\$36.37																																																														
3" / DN80	09579	\$36.37	25665	\$36.37																																																														
	1/2"		1"																																																															
3 1/2" / DN90	09580	\$36.37	25666	\$36.37																																																														
4" / DN100	09581	\$53.18	25667	\$53.18																																																														
5" / DN125	09582	\$53.18	25668	\$53.18																																																														
6" / DN150	09583	\$53.18	25669	\$53.18																																																														
8" / DN200	09584	\$53.18	25670	\$53.18																																																														

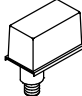

**Accessories for Electric Release Systems**

SOLENOID VALVES (1/2" / DN15)		IPG V240	
<b>Normally Closed (rated to 250 psi (1724 kPa))</b>			
	<u>Deluge &amp; Preaction, SureFire</u>		
	NEMA 1,2,3,3S,4,4X	24 VDC	11601 \$1,597.55
	<u>Explosion Proof</u>		
	NEMA 3,3S,4,4X,6,6P,7,9	24 VDC	11602 \$2,669.90
<b>Normally Closed (rated to 300 psi (2068 kPa))</b>			
	<u>Firecycle III, TotalPac &amp; Special Application</u>		
	NEMA 2,3,3S,4,4X	24 VDC	11591 \$2,039.72
	NEMA 1,2,3,3S,4,4X	110 VAC/50 HZ	11593 \$1,735.66
	NEMA 1,2,3,3S,4,4X	120 VAC/60 HZ	11594 \$2,360.32
	<u>Explosion Proof</u>		
	NEMA 3,3S,4,4X,6,6P,7,9	24 VDC	11592 \$2,669.90
	NEMA 3,3S,4,4X,6,6P,7,9	110 VAC/50 HZ	11594 \$2,360.32
NEMA 3,3S,4,4X,6,6P,7,9	120 VAC/60 HZ	11594 \$2,360.32	
	ATEX, EEx, mII, T4/T5	110 VAC/50 HZ	12359 \$2,802.46
	ATEX, EEx, mII, T4/T5	24 VDC	12360 \$3,112.07
<b>Normally Open (rated to 300 psi (2068 kPa))</b>			
	<u>Firecycle III</u>		
	NEMA 2,3,3S,4,4X	24 VDC	11595 \$3,394.02
	<u>Surefire &amp; TrimPac</u>		
	NEMA 2,3,3S,4,4X	24 VDC	13215 \$3,394.02
	<u>Explosion Proof</u>		
	NEMA 3,3S,4,4X,6,6P,7,9	24 VDC	11596 \$4,731.68
	ATEX, EEx, mII, T4/T5	24 VDC	12358 \$5,173.77

RELEASE CONTROL PANEL (VFR-500)		IPG V241	
<b>VFR-500 Release Control Panel</b>			
<ul style="list-style-type: none"> <li>- Contains seven user-definable zones and menu-driven programming contrc</li> <li>- Up to 35 standard programs in memory and programmable cross-zoning</li> <li>- Multi-directional navigation through the panel history and menus</li> <li>- cULus Listed and FM Approved for agent and/or water-based extinguishing</li> </ul> <p>* see below for accessories and optional modules</p>	Part No. 26107	List Price \$6,650.15	
<b>Optional Modules / Accessories</b>	<b>Part No.</b>	<b>List Price</b>	<b>Batteries</b> (two required per panel)
CA2Z Module (class A initiating device circuit):	14155	\$397.02	
CAM2 Module (class A indicating appliance circuit):	14156	\$456.57	8 Amp 07920 P.O.A.
ARM-1/ARM-2 Module (auxiliary relay module):	14157	\$575.68	12 Amp 07921 P.O.A.
RA-4410-RC (remote annunciator):	26125	\$1,879.67	18 Amp 09867 P.O.A.
MR-101/T SPDT Relay Module:	14159	\$233.29	
MR-201 DPDT Relay Module:	14160	\$292.79	
MR801/T SPDT Relay w/Led Indicator:	14161	\$124.07	
ELOD Resistor/Diode:	14162	\$59.55	
ELOR Resistor:	14163	\$10.36	

**Alarm Devices**

**Alarm Pressure Switch - SR020**

<p><u>Adjustable Range (4-20 psi)</u></p> <p><u>1/2" / DN50</u></p> <p>Single SPDT PS101A \$333.57</p> <p>Dual SPDT PS102A \$399.41</p> <p><i>* Manufactured by Potter</i></p> 	<p><u>Explosion Proof</u></p> <p>Dual SPDT PS10-EX \$2,330.63</p> <p>Dual SPDT PS40EX \$2,330.63</p> <p><i>* Cenelec approved</i></p> <p><u>Pressure Adj Access Key</u></p> <p>10600 \$45.62</p> <p><u>Cover Removal Key</u></p> <p>10601 \$45.62</p> 
--	---

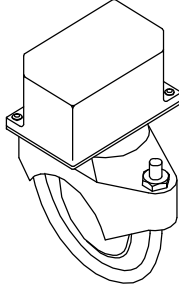
\* Appropriate hex keys included with switches.

**Pressure Supervisory Switch (Air, Nitrogen, Water) - IPG SR020**


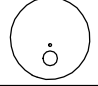
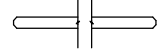
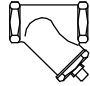

<p><u>Adjustable Range (10-175 psi)</u></p> <p><u>1/2" / DN50</u></p> <p>Single SPDT PS401A \$331.38</p> <p>Dual SPDT PS402A \$399.41</p> <p><i>* Manufactured by Potter</i></p>  <p><u>Cover Tamper Switch Kit</u></p> <p>09601 \$233.30</p>	<p><u>Explosion Proof</u></p>  <p><u>Pressure Adj Access Key</u></p> <p>10600 \$45.62</p> <p><u>Cover Removal Key</u></p> <p>10601 \$45.62</p>
--	---

\* Appropriate hex keys included with switches.

**Flow Switch - SR010**

<p><u>Waterflow Indicators</u></p> <p>(adjustable retard up to 120 sec. - 2 SPDT contacts)</p> <p><u>Model VSR</u></p>			
1-2" / DN40	VSRF0100	\$465.28	
2" / DN50	VSRF0200	\$497.44	
2½" / DN65	VSRF0250	\$497.44	
3" / DN80	VSRF0300	\$497.44	
3½" / DN90	VSRF0350	\$497.44	
4" / DN100	VSRF0400	\$497.44	
5" / DN125	VSRF0500	\$497.44	
6" / DN150	VSRF0600	\$497.44	
8" / DN200	VSRF0800	\$555.34	

**Water Motor Alarm and Accessories - IPG V226**

<p><u>Water Motor Alarm</u></p>  <p><u>Model F-2</u></p> <p>07862 \$1,036.72</p>	<p><u>Closure Plate</u></p>  <p>05820B \$211.59</p>
<p><u>Adjustable Shaft</u></p> <p>(wall thickness up to 30-1/4 in / 768 mm)</p>  <p>03312B \$203.02</p>	<p><u>Alarm Line Y Strainer</u></p>  <p><u>3/4" (DN20)</u></p> <p>01489A \$308.71</p>
<p><u>Extension Cup</u></p>  <p>05957B \$169.28</p>	

**Special Valves and Trim**

**Halar® Coated Deluge / Preaction Valves (Model F-2)**

**Straight-Through (Model F-2)**

IPG V233	1-1/2"	2"	2-1/2"	3"	4"	6"	8"
Thread X Thread	N/A	N/A	<u>12402Q/B</u> \$10,224.50	N/A	N/A	N/A	N/A
Flange X Flange	N/A	N/A	N/A	<u>12015Q/B</u> \$10,224.50	<u>11960Q/B</u> \$13,679.53	<u>11962Q/B</u> \$18,305.27	<u>11992Q/B</u> \$38,320.90
Flange X Groove	N/A	N/A	N/A	<u>12019Q/B</u> \$10,224.50	<u>11959Q/B</u> \$13,679.53	<u>11961Q/B</u> \$18,305.27	N/A
Groove X Groove	<u>12127Q/B</u> \$7,575.28	<u>12058Q/B</u> \$7,595.89	<u>12404Q/B</u> \$10,224.50	<u>12023Q/B</u> \$10,224.50	<u>11514Q/B</u> \$13,679.53	<u>11525Q/B</u> \$18,305.27	<u>11118Q/B</u> \$36,469.67

**HORIZONTAL TRIM - Conventional Deluge / Preaction Trim**

**Galvanized**

IPG V236	1-1/2"	2"	2-1/2"	3"	4"	6"	8"
<u>Loose Trim</u> <i>(incl. accessory pkg-09316)</i>	<u>14635-1</u> \$5,329.24	<u>14635-1</u> \$5,329.24	<u>14637-1</u> \$5,215.35	<u>14637-1</u> \$5,215.35	<u>14638-1</u> \$5,457.32	<u>14640-1</u> \$5,470.13	<u>14643-1</u> \$7,923.71
<u>Modular Trim</u> <i>(incl. accessory pkg-09316)</i>	<u>14635-1P</u> \$5,810.40	<u>14635-1P</u> \$5,810.40	<u>14637-1P</u> \$5,696.46	<u>14637-1P</u> \$5,696.46	<u>14638-1P</u> \$5,940.73	<u>14640-1P</u> \$5,953.48	<u>14643-1P</u> \$8,407.08

**BRASS TRIMS - Conventional Deluge / Preaction Trim**

**Straight Through Valves - VERTICAL**

IPG V237	1-1/2"	2"	2-1/2"	3"	4"	6"	8"
<u>Loose Trim</u> <i>(incl. accessory pkg-09316)</i>	<u>14634-2</u> \$9,045.81	<u>14634-2</u> \$9,045.81	<u>14636-2</u> \$8,591.23	<u>14636-2</u> \$8,591.23	<u>14639-2</u> \$9,179.82	<u>14641-2</u> \$9,285.78	<u>14642-2</u> \$11,570.21
<u>Modular Trim</u> <i>(incl. accessory pkg-09316)</i>	<u>14634-2P</u> \$9,553.33	<u>14634-2P</u> \$9,553.33	<u>14636-2P</u> \$9,098.75	<u>14636-2P</u> \$9,098.75	<u>14639-2P</u> \$9,687.35	<u>14641-2P</u> \$9,793.28	<u>14642-2P</u> P.O.A.

**Straight Through Valves - HORIZONTAL**

IPG V237	1-1/2"	2"	2-1/2"	3"	4"	6"	8"
<u>Loose Trim</u> <i>(incl. accessory pkg-09316)</i>	<u>14635-2</u> \$9,045.81	<u>14635-2</u> \$9,045.81	<u>14637-2</u> \$8,591.23	<u>14637-2</u> \$8,591.23	<u>14638-2</u> \$9,179.82	<u>14640-2</u> \$9,285.78	<u>14643-2</u> \$11,570.21
<u>Modular Trim</u> <i>(incl. accessory pkg-09316)</i>	<u>14635-2P</u> \$9,553.33	<u>14635-2P</u> \$9,553.33	<u>14637-2P</u> P.O.A.	<u>14637-2P</u> P.O.A.	<u>14638-2P</u> P.O.A.	<u>14640-2P</u> \$9,793.28	<u>14643-2P</u> P.O.A.

**Special Valves and Trim**

**DOMESTIC TRIM <sup>1</sup> - Model F - Galvanized**

**Straight Through Valves - VERTICAL**

V236	1-1/2"	2"	2-1/2"	3"	4"	6"	8"
Loose Trim	<u>14634-1USA</u>	<u>14634-1USA</u>	<u>14636-1USA</u>	<u>14636-1USA</u>	<u>14639-1USA</u>	<u>14641-1USA</u>	<u>14642-1USA</u>
	\$7,105.65	\$7,105.65	\$6,953.80	\$6,953.80	\$7,276.48	\$7,293.49	\$10,564.96

**DOMESTIC TRIM - Easy Riser® System**

Size	Trim (loose)	
IPG	V222	
<b>Model K-1/L-1</b>		
1-1/2"	12960USA	\$541.16
2"	12960USA	\$541.16
<b>Model E-1/F-1</b>		
2-1/2"	13776USA	\$1,355.72
3"	13776USA	\$1,355.72
4"	13777USA	\$1,203.26
6"	13777USA	\$1,203.26
8"	13777USA	\$1,203.26

**BRASS TRIM - Easy Riser® System**

Size	Trim (loose)		Trim (modular)	
IPG	V222		V222	
<b>Model K-1/L-1 - In-Line Check Valve Trim</b>				
1-1/2"	12960-1	\$640.48	12960-1P	P.O.A.
2"	12960-1	\$640.48	12960-1P	P.O.A.
<b>Model E-1/F-1 - Easy Riser Valve Trim</b>				
2-1/2"	07236-1	\$1,604.32	07236-1P	P.O.A.
3"	07236-1	\$1,604.32	07236-1P	P.O.A.
4"	07237-1	\$1,695.89	07237-1P	P.O.A.
6"	07237-1	\$1,695.89	07237-1P	P.O.A.
8"	07237-1	\$1,695.89	07237-1P	P.O.A.

**BRASS - SureFire® TrimPac®**

Single Interlocked		SI w/Monitored Solenoid		Double Interlocked		DI w/Monitored Solenoid	
V234		V234		V234		V234	
13798D-1B	\$15,660.93	28231D-1B	\$16,491.37	13799D-2B	\$16,088.75	28232D-2B	\$16,992.60

**BRASS - Releasing Trims**

	IPG	Pneumatic	Electric Pneumatic	Electric	Pneumatic Pneumatic	<b>DOMESTIC <sup>1</sup></b> Electric
		V239	V239	V239	V239	
Loose Trim		<u>10811</u>	<u>12661-2</u>	<u>10832</u>	<u>12662-2</u>	<u>10832USA</u>
(releasing device not incl.)		\$439.39	\$366.78	\$494.41	\$2,340.21	\$659.20
Modular Trim		<u>10811-P</u>	<u>12661-2P</u>	<u>10832-P</u>	<u>12662-2P</u>	<u>10832USA-P</u>
(releasing device not incl.)		P.O.A.	P.O.A.	P.O.A.	P.O.A.	P.O.A.

(1) Meets sourcing requirements of the Buy American Act, American Reinvestment and Recovery Act, and the Buy American Law. Contact customer service for availability.