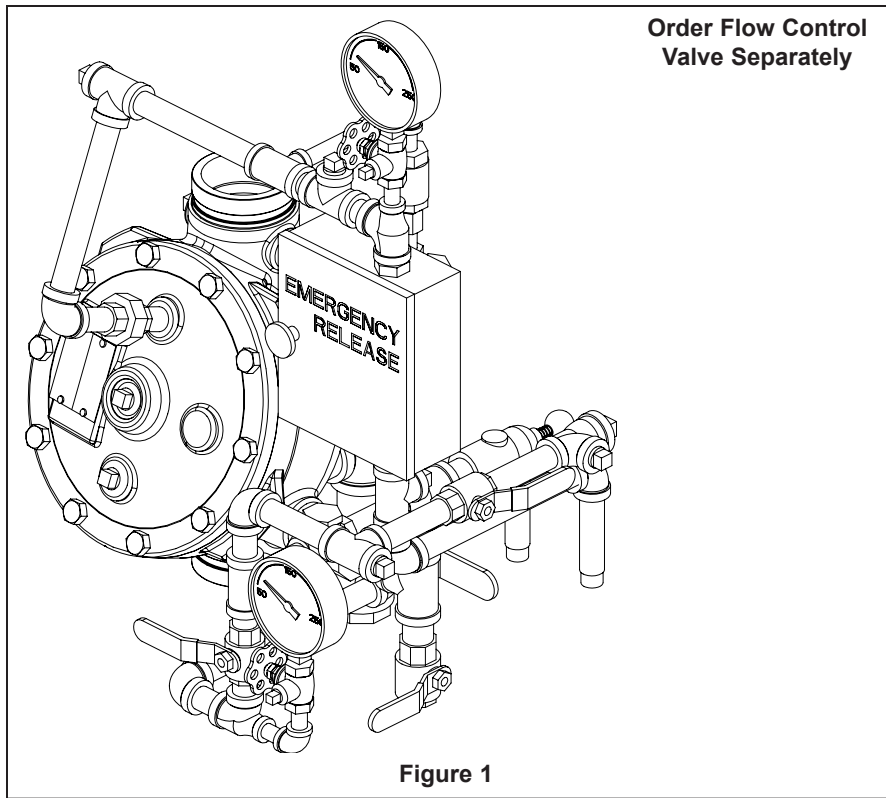


	<h1 style="margin: 0;">TECHNICAL DATA</h1>	<p>2-1/2" & 3" (DN65 & DN80) MODEL J FLOW CONTROL VALVE VERTICAL CONV. TRIM CHART Maximum 250 PSI Water Working Pressure</p>
---	--	--

The Viking Corporation, 210 N Industrial Park Drive, Hastings MI 49058
 Telephone: 269-945-9501 Technical Services 877-384-5464 Fax: 269-818-1680 Email: techsvcs@vikingcorp.com



Order Flow Control Valve Separately

Figure 1

This Trim Chart is for use with the following Viking Trim Sets		
Valve Size	Galvanized Trim Part No.	Brass Trim Part No.
2-1/2" (DN65) & 3" (DN80)	12306-1	12306-2

Notes: For use with Trim Chart on Page 514b

General Notes:

- Valve must be trimmed as shown. Any deviation from trim size or arrangement may affect the proper operation of the valve.
- All pipe and fittings shall be galvanized or brass except when other materials are specified in the Technical Data for the Halar[®] Coated Flow Control Valve or when other materials are specified in the Viking Foam Systems data pages.
- Gauges are brass as furnished with trim.
- When the Viking Flow Control Valve is used on pre-mixed foam systems, trim piping must be of copper pipe with brass fittings unless otherwise specified in the Technical Data for the Halar[®] Coated Flow Control Valve or the Viking Foam Systems data pages.
- Dimensions in parentheses are millimeter and may be approximations.

- Note 1:** 1/2" (15 mm) NPT plugged outlet provided for connecting certain optional components and associated trim.
- Note 2:** Release System Connection: Viking deluge and flow control valves are compatible with hydraulic, pneumatic, and electric release systems. A pneumatic actuator is required on all Viking deluge valves and flow control valves equipped with pneumatic release systems.
- Note 3:** Alarm Connections: Connect alarm line piping to 3/4" (20 mm) NPT outlet. When using a water motor alarm, a strainer is required. 1/2" (15 mm) NPT outlet is for electric alarm pressure switch.
- Note 4:** Optional non-interruptible connection for alarm pressure switch to activate electric alarm panel. Note: After the flow control valve trips, this location cannot be shut off. Alarms may operate until the outlet chamber of the flow control valve is de-pressurized below the set point of the alarm pressure switch.



TECHNICAL DATA

**2-1/2" & 3" (DN65 & DN80)
MODEL J FLOW CONTROL VALVE
VERTICAL CONV. TRIM CHART**
Maximum 250 PSI Water Working Pressure

The Viking Corporation, 210 N Industrial Park Drive, Hastings MI 49058

Telephone: 269-945-9501 Technical Services 877-384-5464 Fax: 269-818-1680 Email: techsvcs@vikingcorp.com

Refer to page 514a
for General Notes
and Notes 1 through 4.

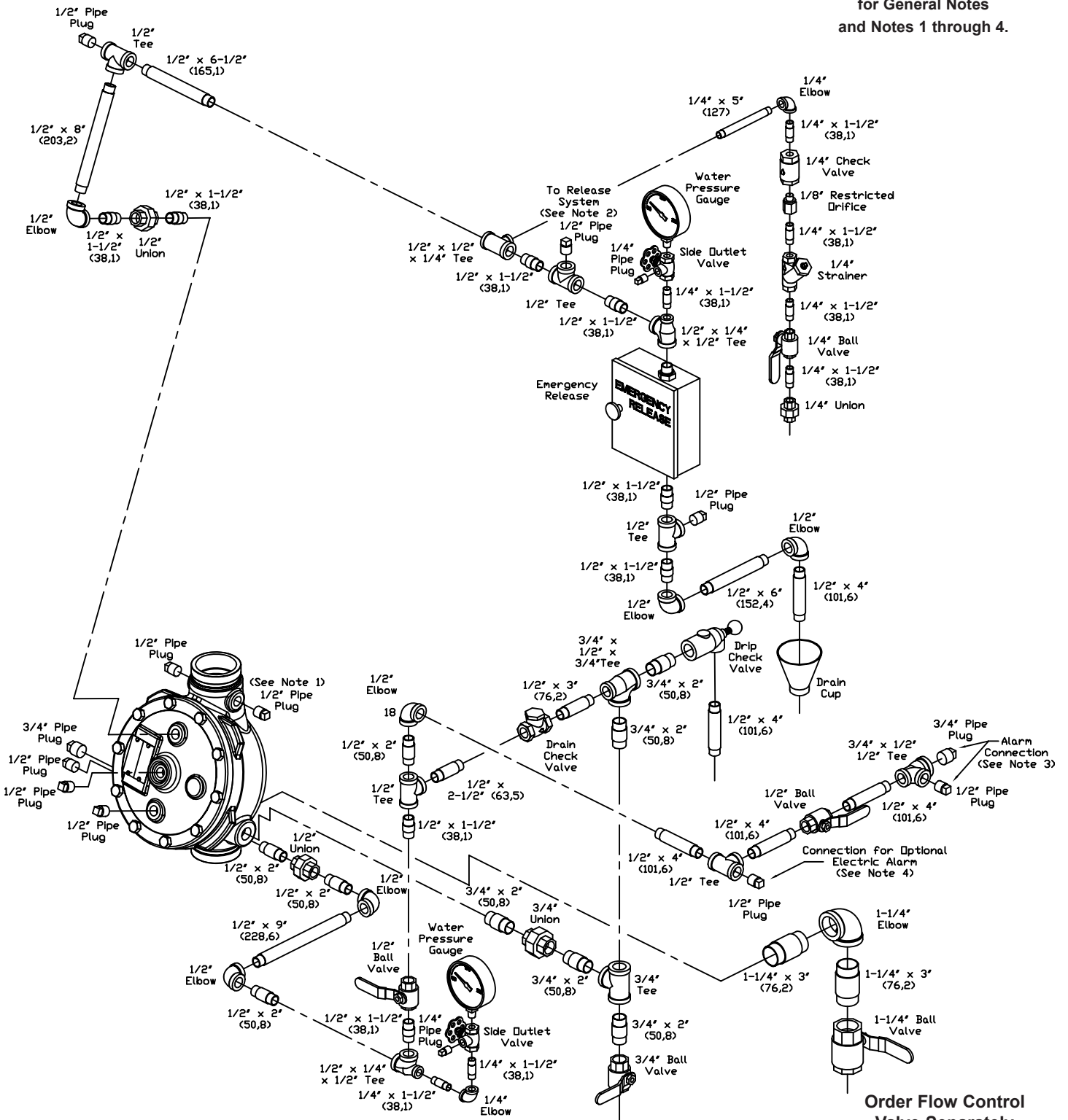


Figure 2

Order Flow Control Valve Separately



TECHNICAL DATA

2-1/2" & 3" (DN65 & DN80)
MODEL J FLOW CONTROL VALVE
VERTICAL CONV. TRIM CHART
Maximum 250 PSI Water Working Pressure

The Viking Corporation, 210 N Industrial Park Drive, Hastings MI 49058

Telephone: 269-945-9501 Technical Services 877-384-5464 Fax: 269-818-1680 Email: techsvcs@vikingcorp.com

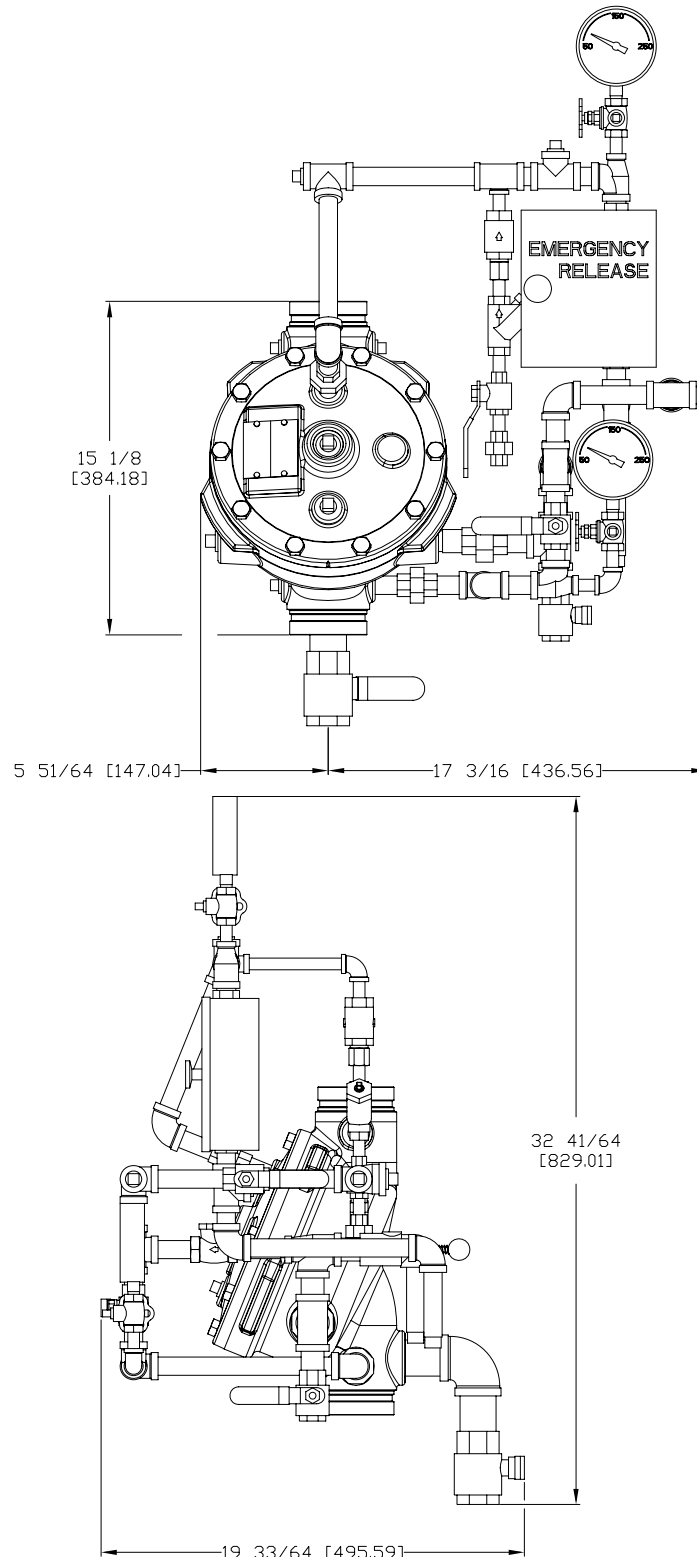


Figure 3

**THIS PAGE
INTENTIONALLY
LEFT BLANK**