

| | | |
|---|---------------------------|--|
|  | TECHNICAL BULLETIN | DRY HORIZONTAL SIDEWALL SPRINKLER COVER |
|---|---------------------------|--|

The Viking Corporation, 210 N Industrial Park Drive, Hastings MI 49058
 Telephone: 269-945-9501 Technical Services 877-384-5464 Fax: 269-818-1680 Email: techsvcs@vikingcorp.com

INSTRUCTIONS FOR USING THE DRY HORIZONTAL SIDEWALL SPRINKLER COVER

Sprinklers must be protected from mechanical damage during storage, transport, handling, and after installation. The dry sprinkler cover (Part Number 15610) is an optional accessory for temporary use on dry horizontal sidewall sprinklers to help protect the sprinkler while the wall finish work is being completed around the sprinkler. The plastic cover consists of two identical pieces that fit over the dry sprinkler frame (Figures 1-3 below). To use the protective dry sprinkler cover, follow these instructions. Also refer to the appropriate dry sprinkler technical data pages for complete sprinkler installation instructions.

1. Install the dry horizontal sidewall sprinkler using the designated sprinkler wrench (Part Number 07297W/B for plain barrel and adjustable standard styles, or Part Number 07565W/B for the recessed dry sprinkler). Refer to technical data page DRY1-3 for complete sprinkler installation instructions and the appropriate dry sprinkler technical data page for illustrated installation instructions.
2. Attach the dry sprinkler cover onto the dry horizontal sidewall sprinkler. Refer to Figures 2-3 below. **NOTE:** If the sprinkler is shipped with a plastic clip over the operating element, keep the clip on the sprinkler until after installation.
 - a. Separate the two halves of the plastic cover, by pulling it apart (Figure 1).
 - b. Gently place both sides of the protective cover over the sprinkler frame protruding through the opening in the wall (Figure 2).
 - c. Snap the two pieces of the cover together over the sprinkler frame (Figure 3).
3. Remove the protective dry sprinkler cover from the sprinkler after installation is complete and the wall is finished where the sprinkler is installed.
 - a. Pull both halves of the cover apart to remove it from the dry sprinkler.
 (Also remove the protective shipping clip from the dry sprinkler, if applicable). Refer to sprinkler technical data page DRY1-3 for complete sprinkler installation instructions and the appropriate sprinkler technical data page for illustrated instructions.

Viking Technical Data may be found on
 The Viking Corporation's Web site at
<http://www.vikinggroupinc.com>.
 The Web site may include a more recent
 edition of this Technical Data Page.

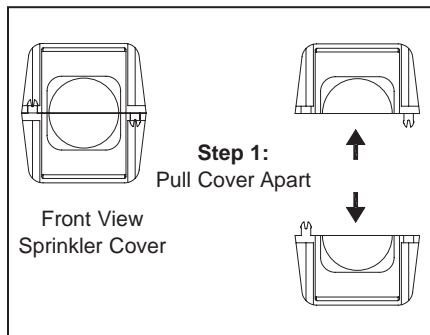


Figure 1

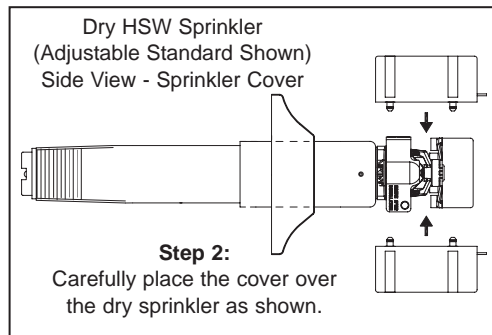


Figure 2

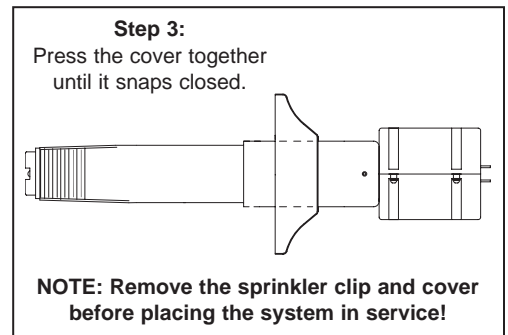


Figure 3

NOTE: The plastic covers and clips are used for protection during shipping and installation. Remove any clips and covers from the sprinklers AFTER installation, using care to prevent dislodging the sprinkler ejector spring (if applicable) or damaging the operating element. Protective clips and covers MUST be removed from sprinklers BEFORE placing the system in service!

Warning: Never install sprinklers that have been dropped, damaged, or exposed to temperatures in excess of the maximum ambient temperature allowed. Any sprinkler with damage to the operating element should be destroyed.

Refer to the latest appropriate technical data pages for complete care, handling, and installation instructions. Data pages are included with each shipment from Viking or Viking distributors. They can also be found in your Viking technical data book and on the Web site at www.vikinggroupinc.com.

**THIS PAGE
INTENTIONALLY
LEFT BLANK**