



## TECHNICAL DATA

### QUICK RESPONSE LIGHT HAZARD HORIZONTAL SIDEWALL SPRINKLER (BASE PART NUMBER 10037)

The Viking Corporation, 210 N Industrial Park Drive, Hastings MI 49058

Telephone: 269-945-9501 Technical Services: 877-384-5464 Fax: 269-818-1680 Email: techsvcs@vikingcorp.com

#### 1. DESCRIPTION

Viking Quick Response Horizontal Sidewall Sprinkler 10037 is a small thermosensitive glass bulb spray sprinkler VdS Approved for use in Light Hazard occupancies. The orifice design, with a K-Factor of 5.6, allows efficient use of available water supplies for the hydraulically designed fire-protection system.

The sprinkler is available with various finishes and temperature ratings to meet design requirements. The special Polyester coatings can be used in decorative applications where colors are desired.

#### 2. LISTINGS AND APPROVALS



**VdS Approved:** Certificate G4970012

Refer to the Approval Chart on page 41q and Design Criteria on page 41r for VdS approval requirements that must be followed.



#### 3. TECHNICAL DATA

##### Specifications:

Available since 2004.

Minimum Operating Pressure: 7 psi (0.5 bar)

Maximum Working Pressure: 175 psi (12 bar)

Factory tested hydrostatically to 500 psi (34.5 bar)

Thread size: 15 mm BSP

Nominal K-Factor: 5.6 U.S. (80.6 metric\*)

\* Metric K-factor measurement shown is when pressure is measured in Bar. When pressure is measured in kPa, divide the metric K-factor shown by 10.0.

Glass-bulb fluid temperature rated to -65 °F (-55 °C)

Overall Length: 2-11/16" (68 mm)

##### Material Standards:

Available since 2004.

Frame Casting: Brass UNS-C84400

Deflector: Copper UNS-C19500

Bulb: Glass, nominal 3 mm diameter

Belleville Spring Sealing Assembly: Nickel Alloy, coated on both sides with Teflon Tape

Screw: Brass UNS-C36000

Pip Cap: Copper UNS-C14500

For Polyester Coated Sprinklers: Belleville Spring-Exposed

**Ordering Information:** (Also refer to the current Viking price list.)

Order Quick Response Horizontal Sidewall Sprinkler 10037 by first adding the appropriate suffix for the sprinkler finish and then the appropriate suffix for the temperature rating to the sprinkler base part number.

Finish Suffix: Brass = A, Chrome-Enloy® = F, White Polyester = M-/W, and Black Polyester = M-/B

Temperature Suffix (°F/°C): 155°/68° = B and 175°/79° = D

For example, sprinkler 10037 with a Brass finish and a 155 °F/68 °C temperature rating = Part No. 10037AB

##### Available Finishes And Temperature Ratings:

Refer to Table 1.

**Accessories:** (Also refer to the "Sprinkler Accessories" section of the Viking data book.)

##### Sprinkler Wrenches:

A. Standard Wrench: Part No. 10896W/B (available since 2000).

B. Wrench for recessed sprinklers with protective shields: Part No. 13655W/B\*\* (available since 2003)

\*\*A 1/2" ratchet is required (not available from Viking).

##### Sprinkler Cabinets:

A. Six-head capacity: Part No. 01724A (available since 1971)

B. Twelve-head capacity: Part No. 01725A (available since 1971)

Viking Technical Data may be found on  
The Viking Corporation's Web site at  
<http://www.vikinggroupinc.com>.  
The Web site may include a more recent  
edition of this Technical Data Page.

	<b>TECHNICAL DATA</b>	<b>QUICK RESPONSE LIGHT HAZARD HORIZONTAL SIDEWALL SPRINKLER (BASE PART NUMBER 10037)</b>
--	-----------------------	---

The Viking Corporation, 210 N Industrial Park Drive, Hastings MI 49058

Telephone: 269-945-9501 Technical Services: 877-384-5464 Fax: 269-818-1680 Email: techsvcs@vikingcorp.com

**4. INSTALLATION**

Refer to appropriate NFPA Installation Standards.

**5. OPERATION**

During fire conditions, the heat-sensitive liquid in the glass bulb expands, causing the glass to shatter, releasing the pip cap and sealing spring assembly. Water flowing through the sprinkler orifice strikes the sprinkler deflector, forming a uniform spray pattern to extinguish or control the fire.

**6. INSPECTIONS, TESTS AND MAINTENANCE**

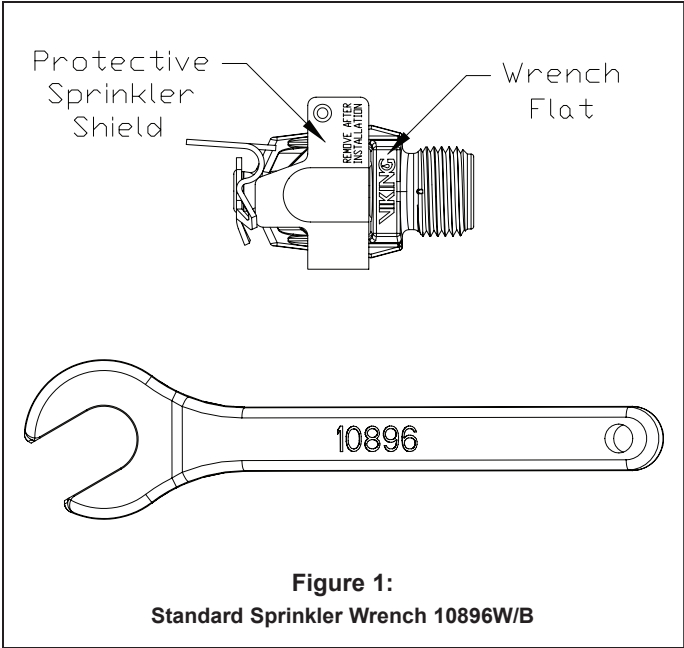
Refer to NFPA 25 for Inspection, Testing and Maintenance requirements.

**7. AVAILABILITY**

Viking Quick Response Horizontal Sidewall Sprinklers are available through a network of domestic and international distributors. See The Viking Corporation web site for the closest distributor or contact The Viking Corporation.

**8. GUARANTEE**

For details of warranty, refer to Viking's current list price schedule or contact Viking directly.



	<b>TECHNICAL DATA</b>	<b>QUICK RESPONSE LIGHT HAZARD HORIZONTAL SIDEWALL SPRINKLER (BASE PART NUMBER 10037)</b>
---	-----------------------	---

The Viking Corporation, 210 N Industrial Park Drive, Hastings MI 49058  
 Telephone: 269-945-9501 Technical Services: 877-384-5464 Fax: 269-818-1680 Email: techsvcs@vikingcorp.com

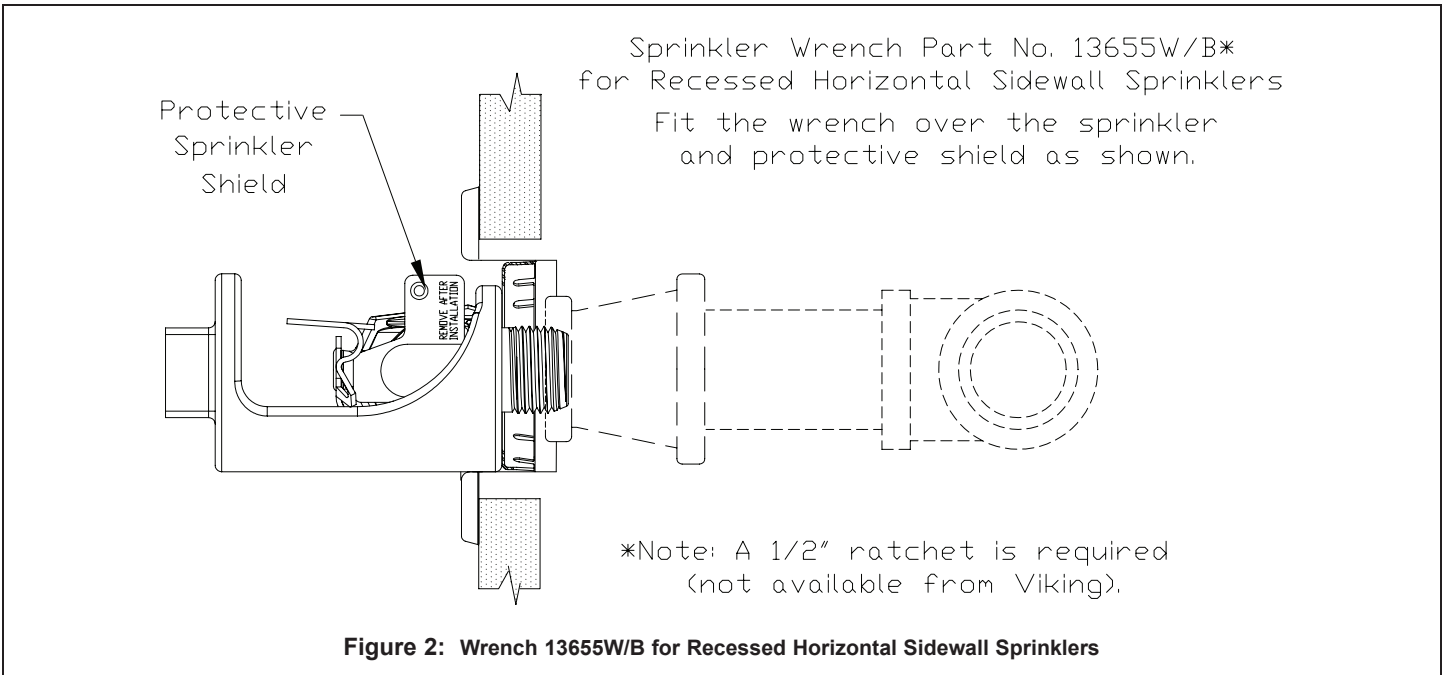
**TABLE 1: AVAILABLE SPRINKLER TEMPERATURE RATINGS AND FINISHES**


Sprinkler Temperature Classification	Sprinkler Nominal Temperature Rating <sup>1</sup>	Maximum Ambient Ceiling Temperature <sup>2</sup>	Bulb Color
Ordinary	155 °F (68 °C)	100 °F (38 °C)	Red
Intermediate	175 °F (79 °C)	150 °F (65 °C)	Yellow

**Sprinkler Finishes:** Brass, Chrome-Enloy<sup>®</sup>, White Polyester<sup>3</sup>, and Black Polyester<sup>3</sup>

**Footnotes**

- <sup>1</sup> The sprinkler temperature rating is stamped on the deflector.
- <sup>2</sup> Based on NFPA-13. Other limits may apply, depending on fire loading, sprinkler location, and other requirements of the Authority Having Jurisdiction. Refer to specific installation standards.
- <sup>3</sup> For automatic sprinklers, the coatings indicated are applied to the exposed exterior surfaces only. Note that the spring is exposed on sprinklers with Polyester coatings.



	<h2 style="margin: 0;">TECHNICAL DATA</h2>	<h3 style="margin: 0;">QUICK RESPONSE LIGHT HAZARD HORIZONTAL SIDEWALL SPRINKLER (BASE PART NUMBER 10037)</h3>
---	--	--

The Viking Corporation, 210 N Industrial Park Drive, Hastings MI 49058  
 Telephone: 269-945-9501 Technical Services: 877-384-5464 Fax: 269-818-1680 Email: techsvcs@vikingcorp.com

Approval Chart														
Quick Response Horizontal Sidewall Sprinkler 10037 For Light Hazard Occupancies Only														
KEY														
Temperature Finish A1X ← Escutcheon (if applicable)														
Base Part Number <sup>1</sup>	SIN	Maximum Pressure	Thread Size		Nominal K-Factor		Overall Length		Listings and Approvals <sup>3</sup> (Refer also to Design Criteria below.)					
			NPT	BSP	U.S.	metric <sup>2</sup>	Inches	mm	cULus	FM	VdS	LPCB	CE	⚙
10037	VK446	175 psi	--	15 mm	5.6	80.6	2-11/16	68	--	--	A1X	--	CE	--
<b>Approved Temperature Ratings</b>			<b>Approved Finishes</b>				<b>Approved Escutcheons</b>							
A - 155 °F (68 °C) and 175 °F (79 °C)			1 - Brass, Chrome-Enloy®, White Polyester, and Black Polyester				X - Installed with standard surface-mounted escutcheons only.							
Footnotes														
<sup>1</sup> Base part number shown. For complete part number, refer to Viking's current price schedule. <sup>2</sup> Metric K-factor measurement shown is when pressure is measured in Bar. When pressure is measured in kPa, divide the metric K-factor shown by 10.0. <sup>3</sup> This table shows the listings and approvals available at the time of printing. Other approvals may be in process. <sup>4</sup> The Viking Microfast® Model F-1 Adjustable Escutcheon is considered a surface-mounted escutcheon because it does not allow the fusible element of the sprinkler to be recessed behind the face of the wall or ceiling.														

DESIGN CRITERIA
(Also refer to the Approval Chart above.)
<p><b><u>VdS Approval Requirements:</u></b></p> <p>Quick Response Horizontal Sprinkler 10037 is VdS Approved as indicated in the Approval Chart for installation in Light Hazard occupancies only, in accordance with appropriate installation standards.</p> <p><b>NOTE:</b> Align the top of the deflector parallel with the ceiling.</p>
<p><b>IMPORTANT:</b> Always refer to Bulletin Form No. F_091699 - Care and Handling of Sprinklers. Also refer to page QR1-3 for general care, installation, and maintenance information. Viking sprinklers are to be installed in accordance with the latest edition of Viking technical data, the appropriate standards of NFPA, FM Global, LPCB, APSAD, VdS or other similar organizations, and also with the provisions of governmental codes, ordinances, and standards, whenever applicable.</p>

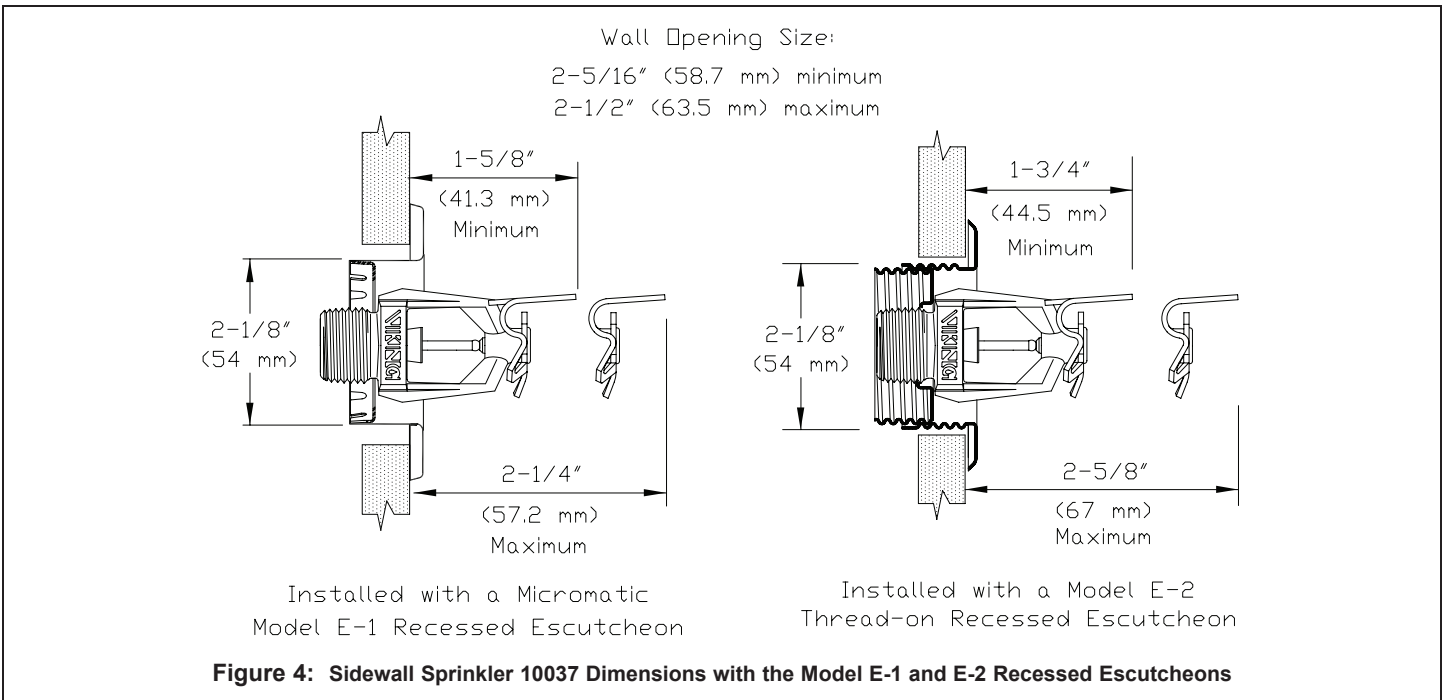
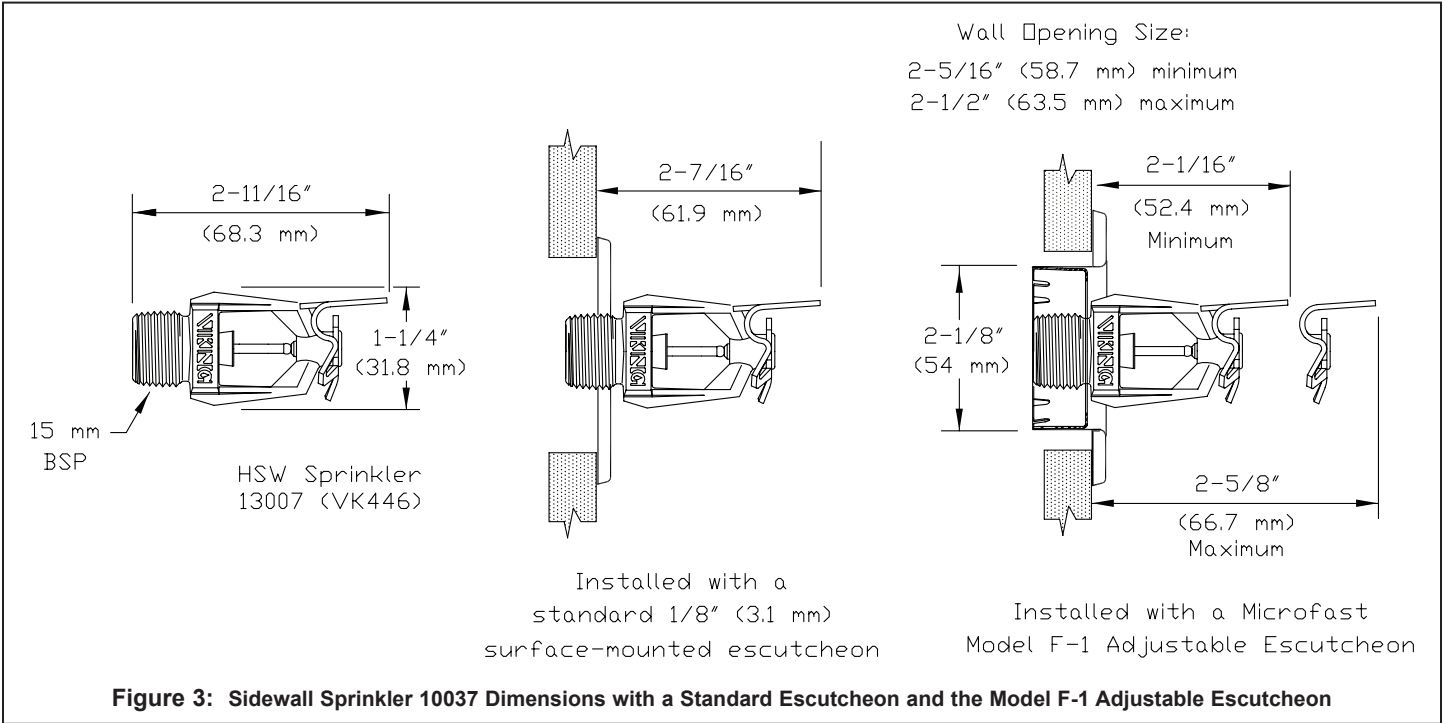


TECHNICAL DATA

**QUICK RESPONSE  
LIGHT HAZARD HORIZONTAL  
SIDEWALL SPRINKLER  
(BASE PART NUMBER 10037)**

The Viking Corporation, 210 N Industrial Park Drive, Hastings MI 49058

Telephone: 269-945-9501 Technical Services: 877-384-5464 Fax: 269-818-1680 Email: techsvcs@vikingcorp.com



**THIS PAGE  
INTENTIONALLY  
LEFT BLANK**