



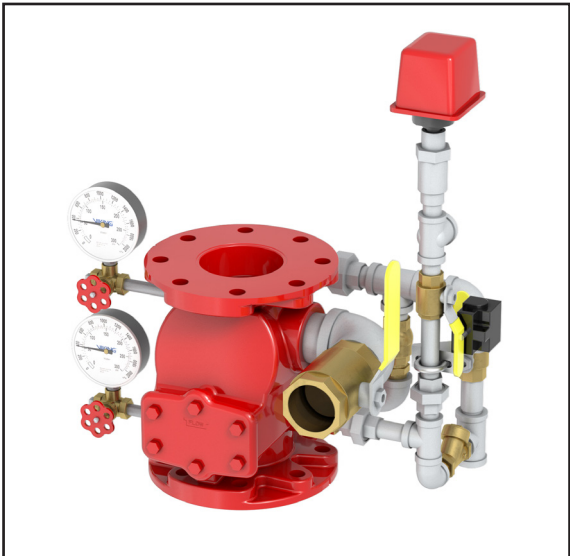
# TECHNICAL DATA

## J-1 WET ALARM VALVE WITH EUROTTRIM FOR GERMAN-FINLAND MARKET

**Viking Nordic A, Staffans Väg 5, S-192 78 Sollentuna**  
**Telephone: +46-8-594-415-90 Fax: +46-8-591-280-18 Email: vikingsweden@vikingcorp.com**

### 1. DESCRIPTION

The Viking Model J-1 Alarm Check Valve serves as a check valve by trapping pressurized water above the clapper and preventing reverse flow from sprinkler piping. The valve is designed to initiate an alarm during a sustained flow of water (such as the flow required by an open sprinkler) by operating an optional water motor alarm and/or alarm pressure switch. The valve is made suitable for use on variable pressure water supplies by adding the optional retard chamber to the standard trim.



### 2. LISTINGS AND APPROVALS

-  cULus Listed
-  FM Approved
-  CE Certified

### 3. ORDERING INFORMATION

To order a Viking Eurotrim follow our three step selection process:

		TABLE 1: VALVE SIZES AND END CONNECTIONS					
Step 1: Base Valve & Trim	End Connections	End Connection Types	3"	4"	6"		8"
			DN80 89 mm	DN100 114 mm	165 mm	168 mm	DN200 219 mm
Flange-Flange	ANSI		ET08235	ET08238	ET08241		ET08244
	PN10		ET09108	ET09109			ET09111
	PN16						ET12388
Flange-Groove	ANSI		ET08236	ET08239	--	ET08242	ET08245
	PN10		ET09535	ET09536	--		ET09877
	PN16				ET12389		
Groove-Groove	--		ET08237	ET08240	ET09405	ET08243	ET08246



		TABLE 2: ALARM TRIM	
Step 2: Alarm Trim	Part Number	Approval Type	
		19417	German-Finland Market

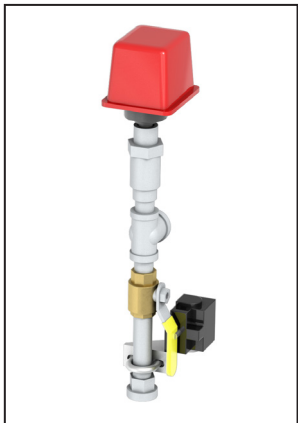


		TABLE 3: OPTIONAL COMPONENTS		
Step 3: Optional Components	Part Number	Component		
		05904B	Retard Chamber	
		880214	Monitoring Switch for Alarm Line Ball Valve	
		8121960050	Bracket for Monitoring Switch	



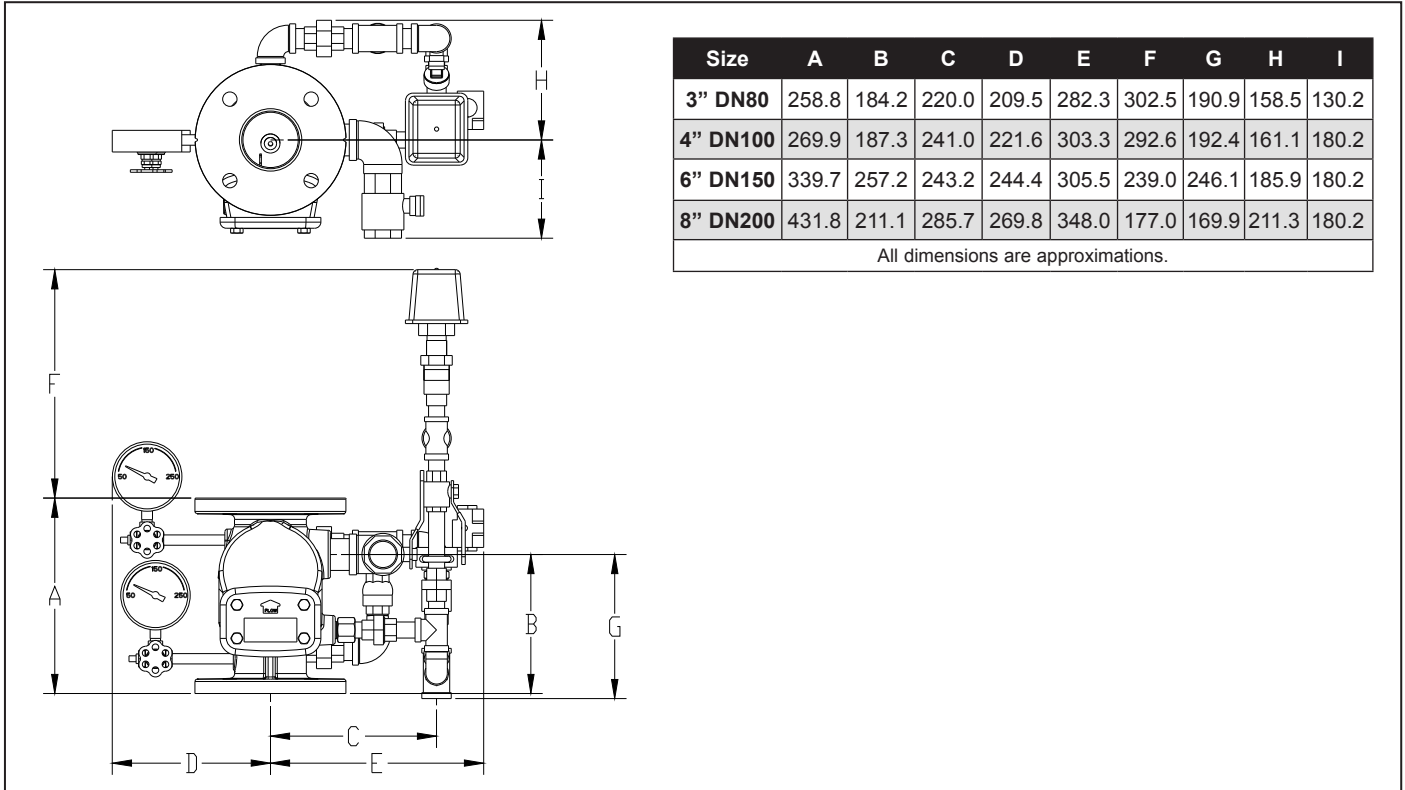
## TECHNICAL DATA

### J-1 WET ALARM VALVE WITH EUROTRIM FOR GERMAN-FINLAND MARKET

Viking Nordic A, Staffans Väg 5, S-192 78 Sollentuna

Telephone: +46-8-594-415-90 Fax: +46-8-591-280-18 Email: vikingsweden@vikingcorp.com

#### 4. DIMENSIONS



#### 5. MOUNTING INSTRUCTIONS

1. Attach the gauges and their spigots to the valve (1)
2. Attach the base trim to the valve by tightening the three unions (2)
3. Attach the alarm trim to the base trim by tightening the union (3)
4. If a retard chamber is required the remove the  $\frac{1}{2}$ " x  $\frac{3}{4}$ " reducer from the alarm line (4) and insert the retard chamber. The reducer has been installed with PTFE tape to allow for easy removal.

