

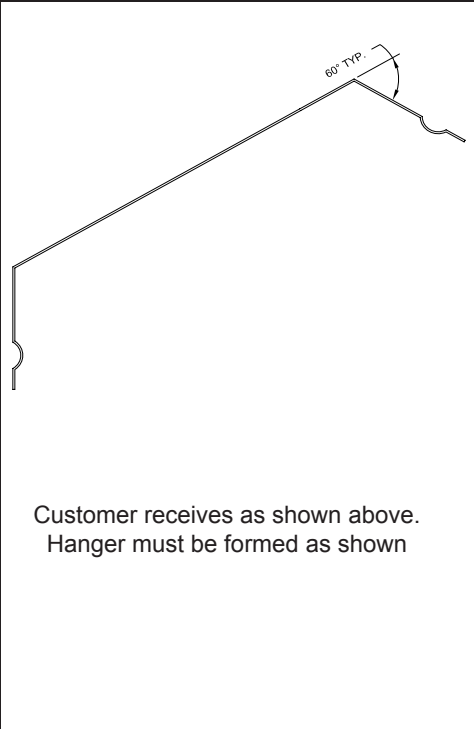


# TECHNICAL DATA

## THERMOSTATIC RELEASE ACCESSORIES

The Viking Corporation, 210 N Industrial Park Drive, Hastings MI 49058

Telephone: 269-945-9501 Technical Services 877-384-5464 Fax: 269-945-4495 Email: techsvcs@vikingcorp.com

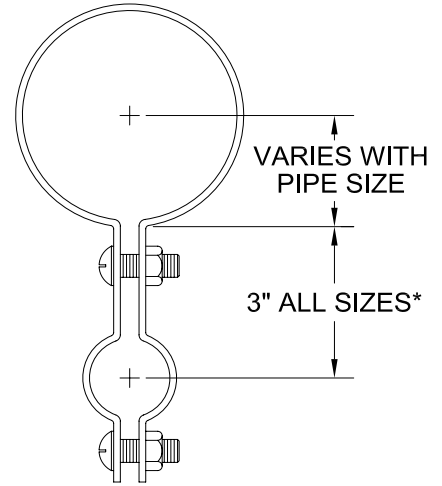


**TABLE 1: AVAILABLE SIZES**

Size in/DN	Part Number*
1" / DN25	09574
1-1/4" / DN32	09575
1-1/2" / DN40	09576
2" / DN50	09577
2-1/2" / DN65	09578
3" / DN80	09579
3-1/2" / DN90	09580
4" / DN100	09581
5" / DN125	09582
6" / DN150	09583
8" / DN200	09584

\* For stainless steel, add suffix SST

Formed finished product



\* Dimension provides clearance for 2" (40 mm) through 6" (150 mm) flanges.

### Release Line Hangers

Release line hangers are for supporting 1/2" (15 mm) release line piping from system piping. The hanger is made of 1/16" (1,59 mm) by 1" (25,4 mm) galvanized hot rolled steel or stainless steel. It is fastened by two 1/4"-20 x 3/4" (6,35 mm -20 x 19,05 mm) slotted screws with nuts. Order for system pipe sizes 1", 1-1/4", 1-1/2", 2", 2-1/2", 3", 3-1/2", 4", 5", 6", and 8" (25 mm, 32 mm, 40 mm, 50 mm, 65 mm, 80 mm, 90 mm, 100 mm, 125 mm, 150 mm, and 200 mm).



### Operation Indicator

Operation Indicator, Viking Part Number 02944A consists of a brass insert and orange plastic cap. The release operation indicator is installed in the 1/2" (15 mm) drain outlet of the release. When the release operates, the plastic cap of the operation indicator will blow open at 2 psi (14 kPa), thus indicating which release has operated. The brass insert is emralon coated to prevent the plastic cap from sticking.



### Release Setting Tool Kit

Release Setting Tool Kit, Viking Part Number 01714A, consists of one 3/16" (4,76 mm) Allen wrench, with a special Schrader core removing end, one 0.025" (0,635 mm) feeler gauge, one 0.018" (0,457 mm) feeler gauge, and five replacement Schrader valve cores. C-1 Thermostatic Release uses 0.025" feeler gauge, and C-2 uses 0.018" feeler gauge.