

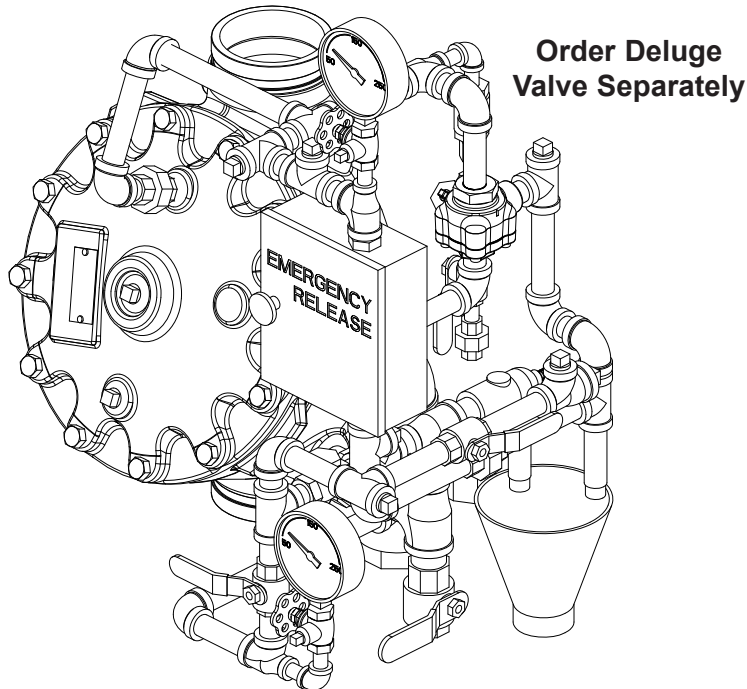


# TECHNICAL DATA

## 4" (DN100) MODEL F-1 STRAIGHT THROUGH DELUGE VALVE VERTICAL CONVENTIONAL TRIM CHART Maximum 250 PSI WWP

The Viking Corporation, 210 N Industrial Park Drive, Hastings MI 49058

Telephone: 269-945-9501 Technical Services: 877-384-5464 Fax: 269-818-1680 Email: techsvcs@vikingcorp.com



**Figure 1**



**WARNING:** Cancer and Reproductive Harm-  
www.P65Warnings.ca.gov

This Trim Chart is for use with the following Viking Trim Sets

Valve Size	Galvanized Trim Part No.	Brass Trim Part No.
4" (DN80)	14639-1	14639-2

This Trim is for use with the following Release Module Trim Kits

Release Type	Galvanized*	Brass**
Pneumatic	<a href="#">10809</a>	<a href="#">10811</a>
Electric	<a href="#">10830</a>	<a href="#">10832</a>
Electric/ Pneumatic	<a href="#">12661-1</a>	<a href="#">12661-2</a>
Pneumatic/ Pneumatic	<a href="#">12662-1</a>	<a href="#">12662-2</a>

\* Standard Trim sets for Model F Deluge Valves consist of galvanized nipples and fittings.

\*\*Refer to Technical Data describing the Halar® Coated Deluge Valve and the *Viking Foam Systems Engineering Design Data* book for applications where brass trim is recommended.

**Note:** Nipple lengths for brass trim may vary from those shown on this Trim Chart.

### Notes: For use with Trim Chart on Page 240f

**Note:** When viewing this data page online, [blue text](#) represents hyperlinks and will open the appropriate data page when clicked.

#### General Notes:

- Valve must be trimmed as shown. Any deviation from trim size or arrangement may affect the proper operation of the valve.
- All pipe 3/4" (20 mm) and smaller shall be galvanized steel except when other materials are specified in the Technical Data for the Halar® Coated Deluge Valve or when other materials are specified in the *Viking Foam Systems Engineering and Design Data* book.
- When Model F Deluge Valves are used on pre-mixed Foam Systems, trim piping must be of copper pipe with brass fittings unless otherwise specified in the Technical Data for the Halar® Coated Deluge Valve or the *Viking Foam Systems Engineering and Design Data* book.
- Dimensions in parentheses are millimeter and may be approximations.

**Note 1:** 1/2" (15 mm) NPT plugged outlet provided for connecting certain optional components and associated trim.

**Note 2:** Release System connection. Viking Deluge and Flow Control Valves are compatible with hydraulic, pneumatic, and electric release systems. A Pneumatic Actuator is required on all Viking Deluge Valves and Flow Control Valves equipped with Pneumatic Release Systems.

**Note 3:** Alarm Connections: Connect alarm line piping to 3/4" (20 mm) NPT outlet. When using a Water Motor Alarm, a strainer is required. 1/2" (15 mm) NPT outlet is for electric Alarm Pressure Switch.

**Note 4:** Optional non-interruptible connection for Alarm Pressure Switch to activate electric alarm panel. Note: After the Deluge Valve trips, this location cannot be shut off. Alarms may operate until the outlet chamber of the deluge valve is de-pressurized below the set point of the Alarm Pressure Switch.

**Note 5:** Viking Drain Check Valve is manufactured with a 0.067" (1.7 mm) orifice to allow alarm line to drain. Do not substitute. Check label for proper orientation.

**Note 6:** Inlet side of PORV is connected to the top chamber of the deluge valve. Inlet of PORV should be facing up. Outlet goes to open drain.



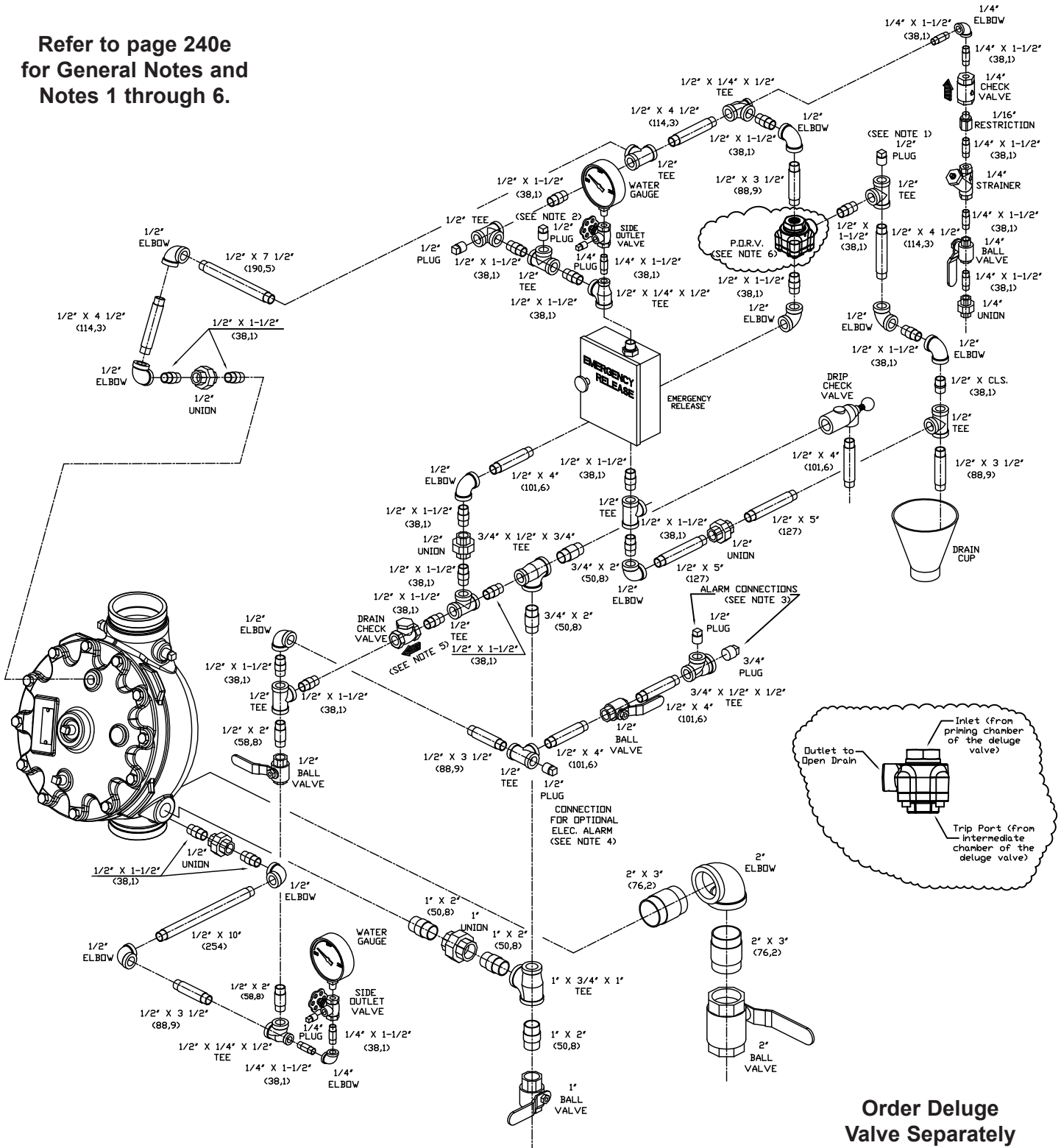
# TECHNICAL DATA

## 4" (DN100) MODEL F-1 STRAIGHT THROUGH DELUGE VALVE VERTICAL CONVENTIONAL TRIM CHART Maximum 250 PSI WWP

The Viking Corporation, 210 N Industrial Park Drive, Hastings MI 49058

Telephone: 269-945-9501 Technical Services: 877-384-5464 Fax: 269-818-1680 Email: techsvcs@vikingcorp.com

Refer to page 240e  
for General Notes and  
Notes 1 through 6.



**Order Deluge Valve Separately**

**Figure 2**



# TECHNICAL DATA

**4" (DN100) MODEL F-1 STRAIGHT THROUGH DELUGE VALVE  
VERTICAL CONVENTIONAL TRIM  
CHART** Maximum 250 PSI WWP

The Viking Corporation, 210 N Industrial Park Drive, Hastings MI 49058

Telephone: 269-945-9501 Technical Services: 877-384-5464 Fax: 269-818-1680 Email: techsvcs@vikingcorp.com

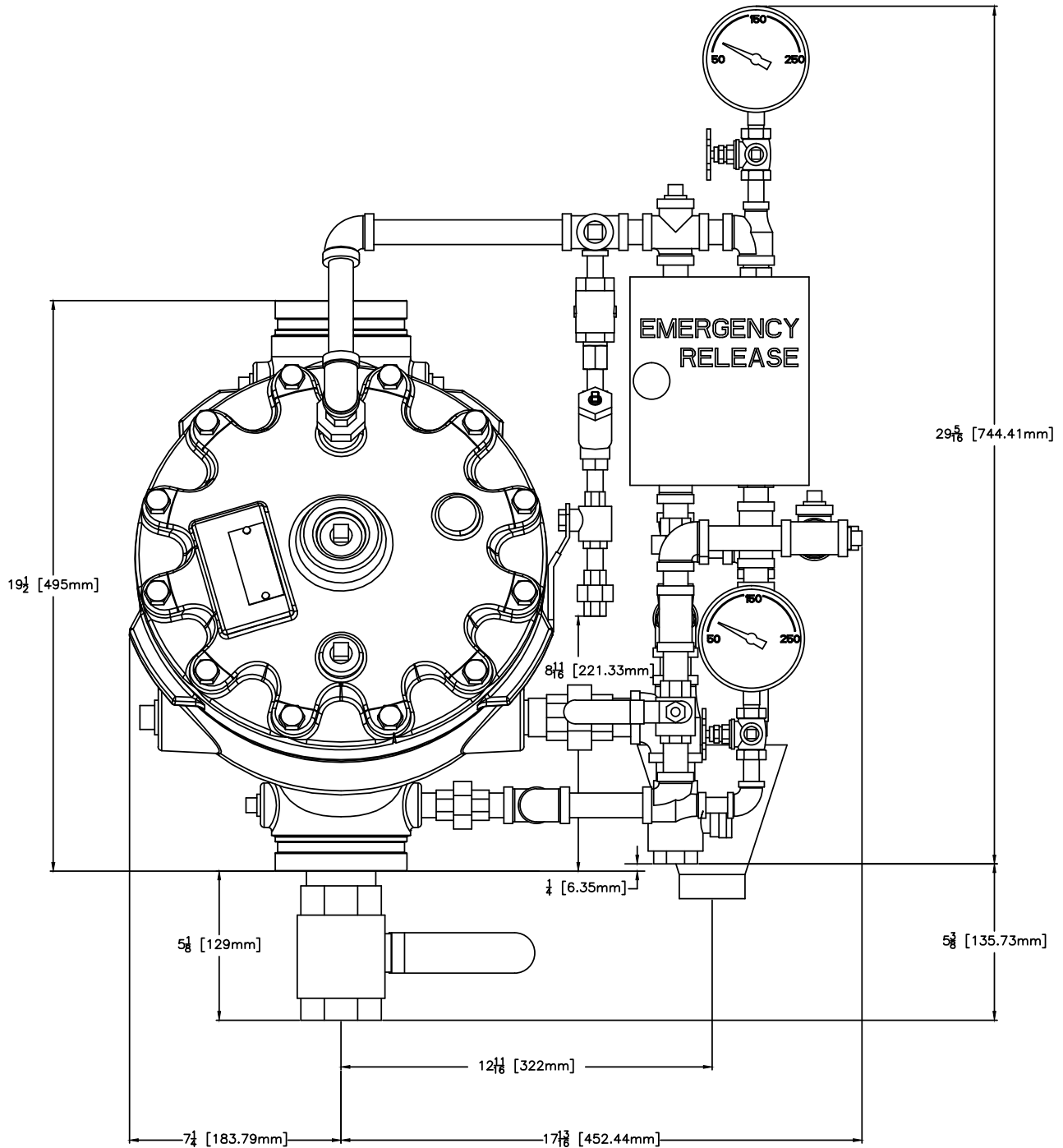


Figure 3a: Installation Dimensions

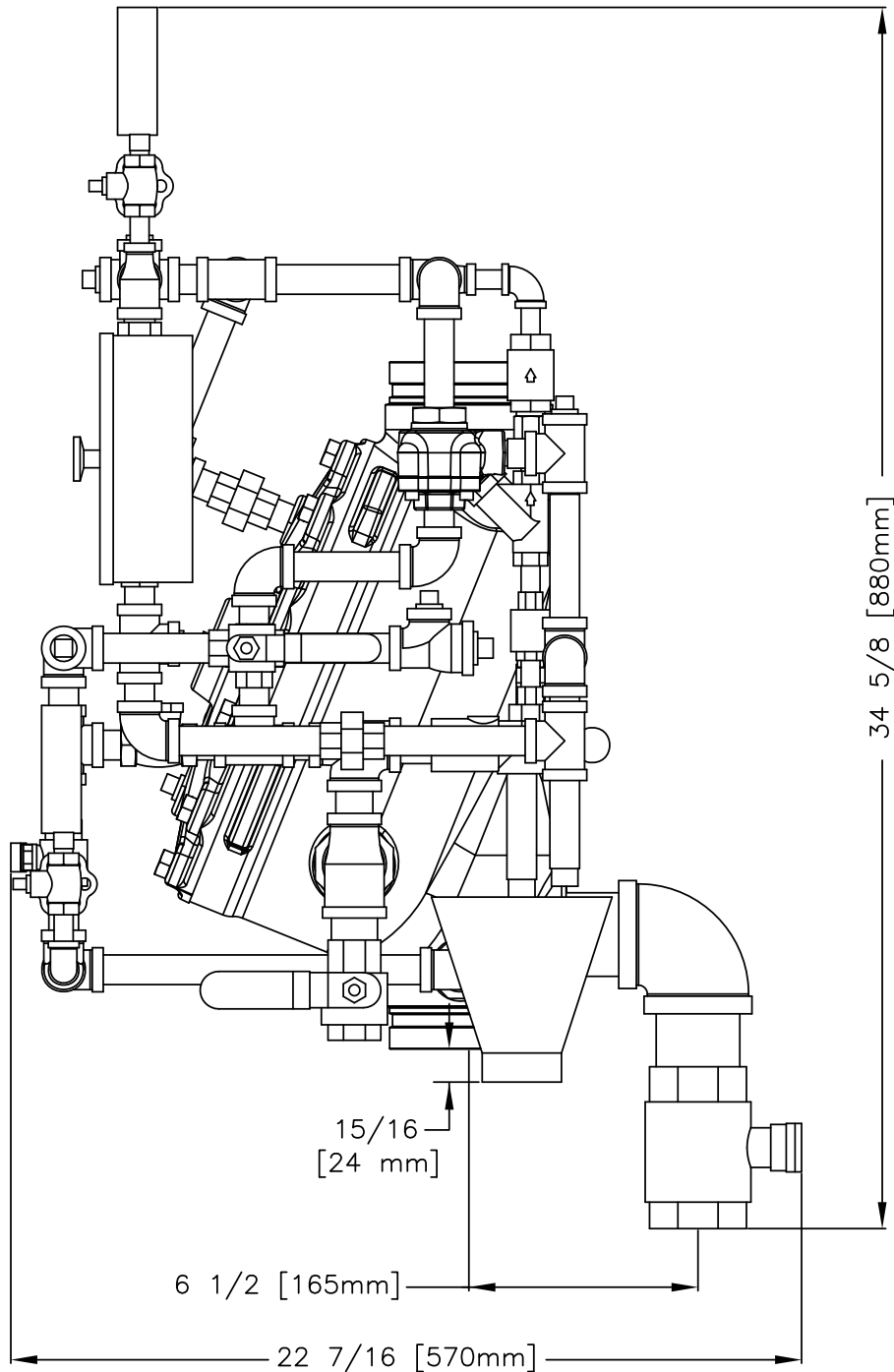


**TECHNICAL DATA**

**4" (DN100) MODEL F-1 STRAIGHT THROUGH DELUGE VALVE  
VERTICAL CONVENTIONAL TRIM  
CHART** Maximum 250 PSI WWP

The Viking Corporation, 210 N Industrial Park Drive, Hastings MI 49058

Telephone: 269-945-9501 Technical Services: 877-384-5464 Fax: 269-818-1680 Email: techsvcs@vikingcorp.com



**Figure 3b: Installation Dimensions**