



# TECHNICAL DATA

## EASYPAC STANDPIPE ASSEMBLIES

3", 4" & 6" (DN80, DN100 & DN150)

The Viking Corporation, 210 N Industrial Park Drive, Hastings MI 49058

Telephone: 269-945-9501 Technical Services: 877-384-5464 Fax: 269-818-1680 Email: techsvcs@vikingcorp.com

### 1. DESCRIPTION

Viking EasyPac Standpipe Assemblies are available in sizes 3", 4" and 6" sizes.

### 2. LISTINGS AND APPROVALS

Valve: UL Listed - VTSR (Model 75U)  
FM Approved - Hose Valves

### 3. TECHNICAL DATA

#### Specifications and Material Standards:

Available since 2008.

- Pressure Rating: 300 PSI (20.7 bar) maximum water working pressure.
- Fabricated steel pipe.
- Available in grooved inlet and outlet connections using Schedule 10 steel pipe.
- Riser bodies coated with black Ecoat.
- Includes 2-1/2" Drain Valve with Cap and Chain.

#### Ordering Information:

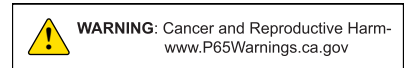
(Also refer to the current Viking price list.)

3": Domestic - 15573, International - 15576

4": Domestic - 15574, International - 15577

6": Domestic - 15575, International - 15578

**Note: Domestic part numbers include 100% US made components.**



Viking Technical Data may be found on The Viking Corporation's Web site at <http://www.vikinggroupinc.com>. The Web site may include a more recent edition of this Technical Data Page.

### 4. INSTALLATION

Refer to appropriate NFPA Installation Standards.

### 5. INSPECTIONS, TESTS AND MAINTENANCE

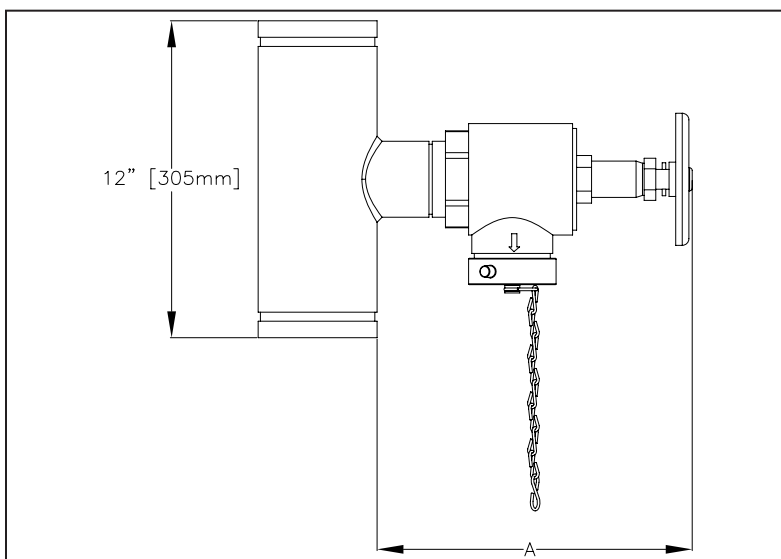
Refer to NFPA 25 for Inspection, Testing and Maintenance requirements.

### 6. AVAILABILITY

The Viking EasyPac Standpipe Assemblies are available through a network of domestic and international distributors. See The Viking Corporation web site for the closest distributor or contact The Viking Corporation.

### 7. GUARANTEE

For details of warranty, refer to Viking's current list price schedule or contact Viking directly.



	3" (DN80)	4" (DN100)	6" (DN150)
<b>Pipe OD</b>	1.315" (33.4 mm)	1.660" (42 mm)	1.900" (48 mm)
<b>Pipe ID</b>	1.097" (27.9 mm)	1.45" (36.6 mm)	1.69" (42.7 mm)
<b>Dimension A</b>	11-15/16" (303 mm)	11-15/16" (303 mm)	11-7/8" (302 mm)