

COMMERCIAL FLEXIBLE SPRINKLERS



COMMERCIAL FLEXIBLE SPRINKLERS

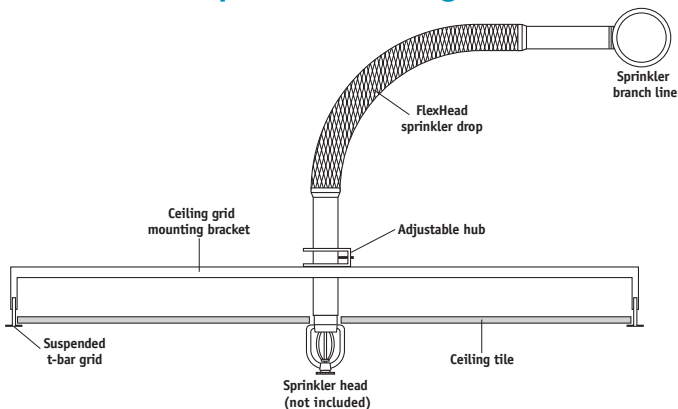
Unlike traditional hard-piped fire protection systems, FlexHead sprinkler connections allow engineers, architects, contractors and building owners a degree of versatility previously unavailable, featuring:

- FM approved & UL listed system
- Industrial grade material
- Acceptable for use in a return-air plenum
- Perfect center-of-tile and aesthetic uniformity
- Approved for use with medium and heavy load grids (ASTM C635, 636)
- 100% leak-tested connections
- All welded, no o-rings
- Adjustable height and sprinkler alignment
- Proven technology
- Ceiling system compatibility
- Compatible with FM / UL sprinklers
- Meets 2013 NFPA 13 guidelines

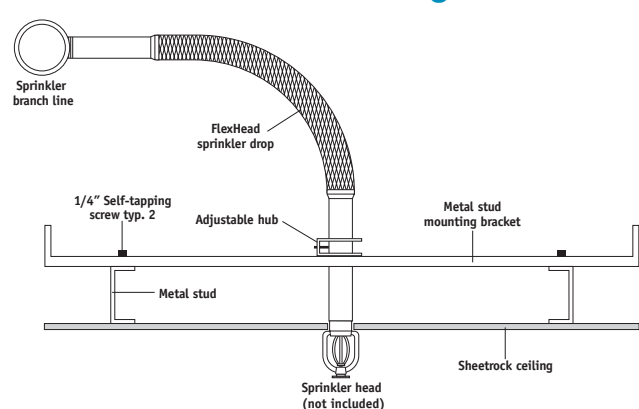
The benefits of installing FlexHead Commercial Connections include:

- Uniform bids / construction schedules
- Reduced man power and labor costs
- Retrofit existing buildings within confined spaces quickly and easily
- Increased efficiency
- Quick and easy installation
- Simple friction loss / water pressure calculations
- Relocate and reconfigure without draining and disassembling
- Flexible design provides versatility for changes in floor plan or occupancy
- Reduced service calls
- No call-backs due to quality manufacturing
- Rapid construction schedules allowing fast-track building occupancy

FlexHead Suspended Ceiling Detail



FlexHead Sheetrock Ceiling Detail



Each FM approved and UL listed unit is ready to install, pressure- and leak-tested, and comes complete with a flexible stainless steel hose and mounting bracket with adjustable hub.

FRICION DATA LOSS & SPECIFICATIONS

FlexHead Model #	Internal I.D. in	Outlet Orifice Size in (cm)	Hose Assembly Length ft (cm)	Maximum Number of 90-degree Bends			Maximum Equivalent Length of Schedule 40, Nominal 1in. Diameter Pipe, ft		Maximum Ambient Temperature Rating F (C)	Maximum Rated Pressure psi (kPa) / psi (kPa)		Maximum K-factor
				3" – UL	8" – FM		FM	UL		Standard	H-Series	
					175psi	300psi						
2024, 2024H	1	1/2 (1.27)	2 (0.6)	3	1	2	18.4	11	300 ⁰ (148 ⁰)	175 (1205) / 300 (2068)	5.62	
2036, 2036H	1	1/2 (1.27)	3 (0.9)	3	2	3	26.6	16	300 ⁰ (148 ⁰)	175 (1205) / 300 (2068)	5.62	
2048, 2048H	1	1/2 (1.27)	4 (1.2)	4	3	4	30.3	24	300 ⁰ (148 ⁰)	175 (1205) / 300 (2068)	5.62	
2060, 2060H	1	1/2 (1.27)	5 (1.5)	4	4	4	35.8	29	300 ⁰ (148 ⁰)	175 (1205) / 300 (2068)	5.62	
2072, 2072H	1	1/2 (1.27)	6 (1.8)	4	4	4	45.6	35	300 ⁰ (148 ⁰)	175 (1205) / 300 (2068)	5.62	
175psi, 300psi												
2024 75, 2024H 75	1	3/4 (1.90)	2 (0.6)	3	1	2	14.7	12	300 ⁰ (148 ⁰)	175 (1205) / 300 (2068)	14.0	
2036 75, 2036H 75	1	3/4 (1.90)	3 (0.9)	3	2	3	21.8	18	300 ⁰ (148 ⁰)	175 (1205) / 300 (2068)	14.0	
2048 75, 2048H 75	1	3/4 (1.90)	4 (1.2)	4	3	4	29.0	23	300 ⁰ (148 ⁰)	175 (1205) / 300 (2068)	14.0	
2060 75, 2060H 75	1	3/4 (1.90)	5 (1.5)	4	4	4	36.1	29	300 ⁰ (148 ⁰)	175 (1205) / 300 (2068)	14.0	
2072 75, 2072H 75	1	3/4 (1.90)	6 (1.8)	4	4	4	43.2	32	300 ⁰ (148 ⁰)	175 (1205) / 300 (2068)	14.0	
175psi, 300psi												
2024E, 2024HE	1	1/2 (1.27)	2 (0.6)	3	1	2	26.4, 14.7	19	300 ⁰ (148 ⁰)	175 (1205) / 300 (2068)	5.62	
2036E, 2036HE	1	1/2 (1.27)	3 (0.9)	3	2	3	30.1, 21.8	23	300 ⁰ (148 ⁰)	175 (1205) / 300 (2068)	5.62	
2048E, 2048HE	1	1/2 (1.27)	4 (1.2)	4	3	4	33.8, 29.0	27	300 ⁰ (148 ⁰)	175 (1205) / 300 (2068)	5.62	
2060E, 2060HE	1	1/2 (1.27)	5 (1.5)	4	4	4	37.5, 36.1	32	300 ⁰ (148 ⁰)	175 (1205) / 300 (2068)	5.62	
2072E, 2072HE	1	1/2 (1.27)	6 (1.8)	4	4	4	41.2, 43.2	35	300 ⁰ (148 ⁰)	175 (1205) / 300 (2068)	5.62	
175psi, 300psi												
2024E 75, 2024HE 75	1	3/4 (1.90)	2 (0.6)	3	1	1	14.7	18	300 ⁰ (148 ⁰)	175 (1205) / 300 (2068)	14.0	
2036E 75, 2036HE 75	1	3/4 (1.90)	3 (0.9)	3	2	2	21.8	23	300 ⁰ (148 ⁰)	175 (1205) / 300 (2068)	14.0	
2048E 75, 2048HE 75	1	3/4 (1.90)	4 (1.2)	4	3	3	29.0	23	300 ⁰ (148 ⁰)	175 (1205) / 300 (2068)	14.0	
2060E 75, 2060HE 75	1	3/4 (1.90)	5 (1.5)	4	4	4	36.1	29	300 ⁰ (148 ⁰)	175 (1205) / 300 (2068)	14.0	
2072E 75, 2072HE 75	1	3/4 (1.90)	6 (1.8)	4	4	4	43.2	32	300 ⁰ (148 ⁰)	175 (1205) / 300 (2068)	14.0	
175psi, 300psi												
2036F	1.25	1/2 (5.6)	3 (0.9)	3	-	-	16.0	-	300 ⁰ (148 ⁰)	175 (1205) / 300 (2068)	5.62	
2048F	1.25	1/2 (5.6)	4 (1.2)	4	-	-	19.6	-	300 ⁰ (148 ⁰)	175 (1205) / 300 (2068)	5.62	
2072F	1.25	1/2 (5.6)	6 (1.8)	4	-	-	22.8	-	300 ⁰ (148 ⁰)	175 (1205) / 300 (2068)	5.62	
175psi, 300psi												
2036F75	1.25	3/4 (14)	3 (0.9)	3	-	-	9.3	-	300 ⁰ (148 ⁰)	175 (1205)	14.0	
2048F75	1.25	3/4 (14)	4 (1.2)	4	-	-	11.4	-	300 ⁰ (148 ⁰)	175 (1205)	14.0	
2072F75	1.25	3/4 (14)	6 (1.8)	4	-	-	15	-	300 ⁰ (148 ⁰)	175 (1205)	14.0	
175psi, 300psi												
2036F100	1.25	1 (14)	3 (0.9)	3	-	-	7.1	-	300 ⁰ (148 ⁰)	175 (1205)	22.4	
2048F100	1.25	1 (14)	4 (1.2)	4	-	-	8.3	-	300 ⁰ (148 ⁰)	175 (1205)	22.4	
2072F100	1.25	1 (14)	6 (1.8)	4	-	-	10.1	-	300 ⁰ (148 ⁰)	175 (1205)	22.4	

Model Numbers: The "H" designates high pressure unit rated to 300 psig and the "E" designates elbow style unit. The "F" designates high flow rate using 1 1/4" internal hose diameter.

FlexHead products are intended for use in hydraulically designed wet, pre-action, deluge or dry pipe sprinkler connections per NFPA 13, 13R, and 13D guidelines. The hydraulic loss of the FlexHead connector needs to be included in the hydraulic design calculations the same as a valve or fitting. **Each FlexHead sprinkler drop has a 3" minimum bend radius per UL guidelines, and a 8" minimum bend radius per FM guidelines.**

****FM Equivalent Length Numbers include maximum "K" factor sprinkler head that is listed.****

* Equivalent lengths are shown with maximum number of 90 degree bends at the minimum bend-radius. Different values were obtained by FM and UL due to the differences in minimum bend radius, testing protocol and calculation methods. Please see individual testing standards for more information relative to friction loss (Equivalent Length of Pipe).

800.829.6975

FLEXHEAD
INDUSTRIES

A PART OF **atkore**
INDUSTRIAL