



Pipe couplings and fittings

End Caps

Approvals



Nominal size		Model	Pipe OD mm (Inch)	Part no.			Approvals				Weight kg (lbs)
DN	Inch			Red paint similar RAL 3000	White powder similar RAL9010	Galvanized	VdS	LPCB	FM	UL	
25	1	940	33.7 (1.33)	912239	919886	912242	G	G	F	F	0.10 (0.22)
32	1-1/4	940	42.4 (1.67)	849322	915793	849333	G	G	F	F	0.10 (0.22)
40	1-1/2	940	48.3 (1.90)	849323	915794	849334	G	G	F	F	0.10 (0.22)
50	2	940	60.3 (2.37)	849324	915795	849335	G	G	F	F	0.20 (0.44)
65	2-1/2	300	73.0 (2.88)	919745	-	919783	-	-	F	F	0.35 (0.77)
65	3 OD	940	76.1 (3.00)	849325	915796	849336	G	G	F	F	0.30 (0.66)
80	3	940	88.9 (3.50)	849326	915797	849337	G	G	F	F	0.30 (0.66)
100	4	940	114.3 (4.50)	849327	915798	849338	G	G	F	F	0.60 (1.30)
125	5-1/2 OD	940	139.7 (5.50)	849328	915799	849339	C	G	F	F	0.90 (2.00)
125	5	300	141.3 (5.56)	919746	-	919784	-	-	F	F	1.32 (2.91)
150	6-1/2 OD	940	165.1 (6.50)	912240	919887	912243	C	G	F	F	2.10 (4.60)
150	6	940	168.3 (6.63)	849331	915800	849340	C	G	F	F	2.20 (4.90)
200	8	940	219.1 (8.63)	849332	915801	849341	C	G	F	F	5.10 (11.20)
250	10	940	273.0 (10.75)	912241	919888	912244	C	G	F	F	7.90 (17.40)
300	12	300	323.9 (12.75)	919747	-	919785	C	E	F	F	15.50 (34.10)

OD = Outside Diameter

Working pressure: A = max. 12.1 bar (175 psi) / B = max. 15.5 bar (225 psi) / C = max. 16 bar (232 psi) / D = max. 20.7 bar (300 psi) / E = max. 25 bar (363 psi) / F = max. 34.5 bar / (500 psi) / G = max. 20 bar (290 psi) / - = no approvals

Technical data

Materialductile cast iron. ASTM A536 Grade 65-45-12

Finish:

- Red paint liquid painting similar RAL 3000
- White powder powder coating similar RAL 9010
- Galvanized hot dip galvanized

Application

Water based fire-suppression systems

Caution

For environments where aggressive, corrosive atmosphere is expected (e.g. direct outdoor exposure, direct contact with water, industrial atmosphere etc.) special surface coatings (e.g. Rilsan, Resicoat etc.) are available.

Maintenance

Visual check

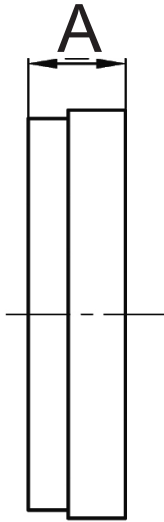


Pipe couplings and fittings

End Caps

Dimensional drawing

Dimensions in mm (inch)



DN / mm	Inch	A (mm / inch)
25 / 33.7	1	23.0 (0.91)
32 / 42.4	1-1/4	23.0 (0.91)
40 / 48.3	1-1/2	23.0 (0.91)
50 / 60.3	2	25.0 (0.98)
65 / 73.0	2-1/2	23.5 (0.93)
65 / 76.1	3 OD	25.0 (0.98)
80 / 88.9	3	25.0 (0.98)
100 / 114.3	4	25.0 (0.98)
125 / 139.7	5-1/2 OD	25.0 (0.98)
125 / 141.3	5	25.5 (1.00)
150 / 165.1	6-1/2 OD	25.0 (0.98)
150 / 168.3	6	25.0 (0.98)
200 / 219.1	8	31.0 (1.22)
250 / 273.0	10	32.0 (1.26)
300 / 323.9	12	32.0 (1.26)



Pipe couplings and fittings

End Caps - Drilled



Approvals



Nominal size		Model	Pipe OD mm (Inch)	Thread Z	Part no.			Approvals				Weight
DN	Inch				Red paint similar RAL 3000	White powder similar RAL9010	Galvanized	VdS	LPCB	FM	UL	kg (lbs)
50	1	941	60.3 (2.37)	G1" Ecc	849350	915802	849358	G	G	D	D	0.3 (0.7)
65	2-1/2	941	73.0 (2.87)	G1" Ecc	912207	919889	912222	G	G	D	D	0.4 (0.9)
				G1-1/4" Ecc	912208	919890	912223	G	G	D	D	0.4 (0.9)
				G1-1/2" Ecc	912209	919891	912224	G	G	D	D	0.4 (0.9)
				G2" Con	912210	919892	912228	G	G	D	D	0.4 (0.9)
65	3 OD	941	76.1 (3.00)	G1" Ecc	912211	919893	912225	G	G	D	D	0.5 (1.1)
				G1-1/4" Ecc	912212	919894	912226	G	G	D	D	0.4 (0.9)
				G1-1/2" Ecc	912213	919895	912227	G	G	D	D	0.4 (0.9)
80	3	941	88.9 (3.50)	G2" Con	849351	915803	849359	G	G	D	D	0.5 (1.1)
				G1" Ecc	912214	919896	912229	G	G	D	D	0.6 (1.3)
				G1-1/4" Ecc	912215	919897	912230	G	G	D	D	0.5 (1.1)
100	4	941	114.3 (4.50)	G1-1/2" Ecc	912216	919898	912231	G	G	D	D	0.5 (1.1)
				G2" Ecc	849352	915804	849360	G	G	D	D	0.5 (1.1)
				G1" Ecc	912217	919899	912232	G	G	D	D	0.8 (1.8)
125	5	941	139.7 (5.50)	G1-1/4" Ecc	912218	919900	912233	G	G	D	D	0.8 (1.8)
				G1-1/2" Ecc	912219	919901	912234	G	G	D	D	0.8 (1.8)
				G2" Ecc	849353	915805	849361	G	G	D	D	0.7 (1.5)
150	6-1/2 OD	941	165.1 (6.50)	G2" Ecc	912220	919908	912235	C	G	D	D	0.9 (2.0)
150	6	300PX	168.3 (6.630)	G1-1/2" Ecc	919743	-	919781	-	-	F	E	2.9 (4.6)
		941		G2" Ecc	849356	915807	849363	C	G	D	D	2.1 (4.6)
200	8	300PX	219.1 (8.63)	G1-1/2" Ecc	919744	-	919782	-	-	D	D	4.1 (9.0)
		941		G2" Ecc	849357	915808	849364	C	G	D	D	4.9 (10.8)
250	10	941	273.0 (10.75)	G2" Ecc	912221	919904	912236	C	G	D	D	7.9 (17.4)

OD = Outside Diameter

Working pressure: A = max. 12.1 bar (175 psi) / B = max. 15.5 bar (225 psi) / C = max. 16 bar (232 psi) / D = max. 20.7 bar (300 psi) / E = max. 25 bar (363 psi) / F = max. 34.5 bar / (500 psi) / G = max. 20 bar (290 psi) / - = no approvals

Technical data

Materialductile cast iron, ASTM A536 Grade 65-45-12

Finish:

- Red paint liquid painting similar RAL 3000
- White powder powder coating similar RAL 9010
- Galvanized hot dip galvanized

Application

Water based fire-suppression systems

Caution

For environments where aggressive, corrosive atmosphere is expected (e.g. direct outdoor exposure, direct contact with water, industrial atmosphere etc.) special surface coatings (e.g. Rilsan, Resicoat etc.) are available.

Maintenance

Visual check

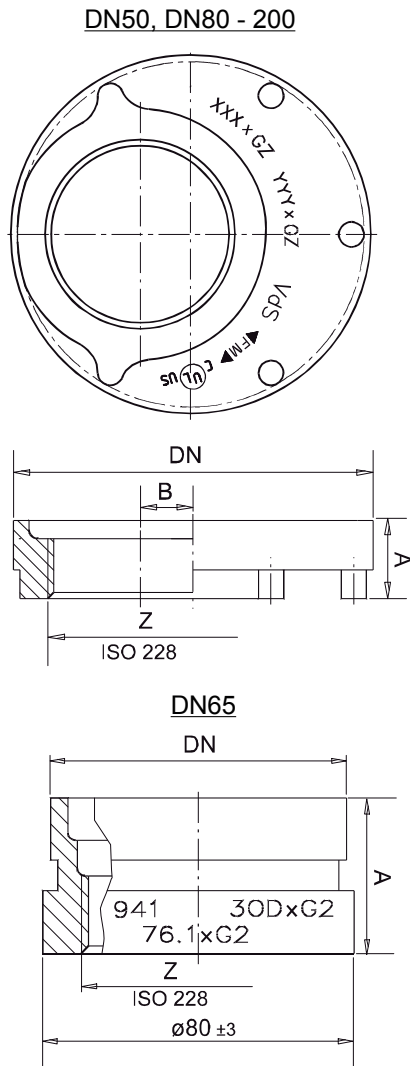


Pipe couplings and fittings

End Caps - Drilled

Dimensional drawing

Dimensions in mm (inch)



DN / mm	Inch	Thread Z	A (mm / inch)	B (mm / inch)
50 / 60.3	2	G1" Ecc	25 (0.98)	6.6 (0.26)
65 / 73.0	2-1/2	G1" Ecc	40 (1.57)	11.5 (0.45)
		G1-1/4" Ecc		7.0 (0.28)
		G1-1/2" Ecc		4.0 (0.16)
65 / 76.1	3 OD	G2" Con		0
		G1" Ecc	40 (1.57)	13.0 (0.51)
		G1-1/4" Ecc		8.5 (0.33)
		G1-1/2" Ecc		5.5 (0.22)
		G2" Con		0
		G1" Ecc	25 (0.98)	17.0 (0.67)
80 / 88.9	3	G1-1/4" Ecc		12.5 (0.49)
		G1-1/2" Ecc		9.5 (0.37)
		G2" Ecc		3.5 (0.14)
100 / 114.3	4	G1" Ecc	25 (0.98)	30.0 (1.18)
		G1-1/4" Ecc		25.5 (1.00)
		G1-1/2" Ecc		22.5 (0.89)
		G2" Ecc		16.0 (0.63)
		G2" Ecc	25 (0.98)	28.7 (1.13)
		G2" Ecc	25 (0.98)	41.5 (1.63)
150 / 168.3	6	G1-1/4" Ecc	25.4 (1.00)	-
		G2" Ecc	25 (0.98)	43.0 (1.69)
		G1-1/2" Ecc	30.2 (1.19)	-
200 / 219.1	8	G2" Ecc	31 (1.22)	68.2 (2.69)
250 / 273.0	10	G2" Ecc	32 (1.26)	95.0 (3.74)