



## TECHNICAL DATA

## OXEO PRESSURE REDUCER

The Viking Corporation | 210 N Industrial Park Drive | Hastings MI 49058

Viking Special Hazards | Technical Services: 877-384-5464 | Email: techsvcs@vikingcorp.com | www.vikinggroupinc.com

The technical data described herein is for components of the Viking Oxexo PR Fire Extinguishing Systems.

Visit the Viking website for the latest edition of the technical data and system manuals.

### 1. DESCRIPTION

The pressure reducer 200 bar / 10 bar N<sub>2</sub> with pressure gauge on outlet-side is used in the Oxexo inert gas extinguishing system with ConstantFlow HD300-LCP for use with 200 bar nitrogen pilot control cylinders.

### 2. LISTINGS AND APPROVALS



cULus Listed - EX5248 (Oxexo PR LCP)

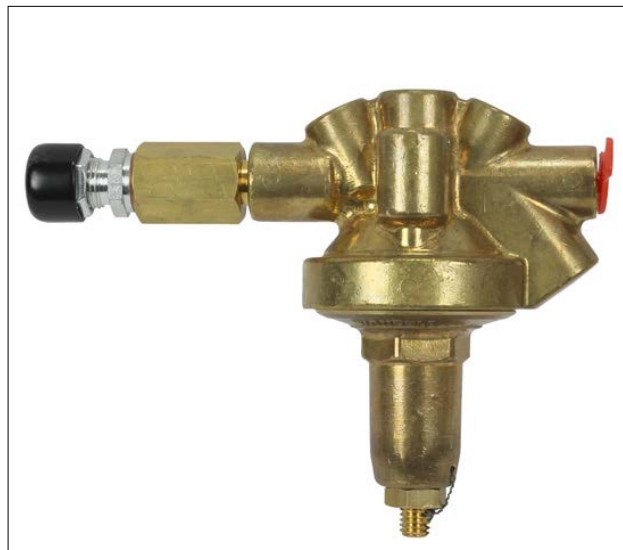


FM Approved: Oxexo PR LCP

### 3. TECHNICAL DATA

#### 3.1 - Specifications and Ratings

Parameter	Value
Extinguishing agent	Nitrogen (99.9% agent purity minimum)
Inlet pressure	Maximum 200 bar (2901 psi)
Outlet pressure	Permanently adjusted at 10.5 bar (152 psi)*
Temperature range	-4 °F to 122 °F (-20 °C to +50 °C)
Connection	
Inlet	Union according to ISO 8434-1, SWOSDS - L10 x G1/4A
Outlet	Plug in union straight G1/4 HEX, type IQSG1410G
Housing material	Brass
*Secured with hexagon nut and sealed with sealing wire.	



Designation	Part no.	Weight
Pressure reducer 200 bar / 10 bar N <sub>2</sub> u*	926811	3.53 lbs (1.6 kg)
* 'u' designates approved universal use in the Americas.		



**WARNING:** Cancer and Reproductive Harm-  
www.P65Warnings.ca.gov



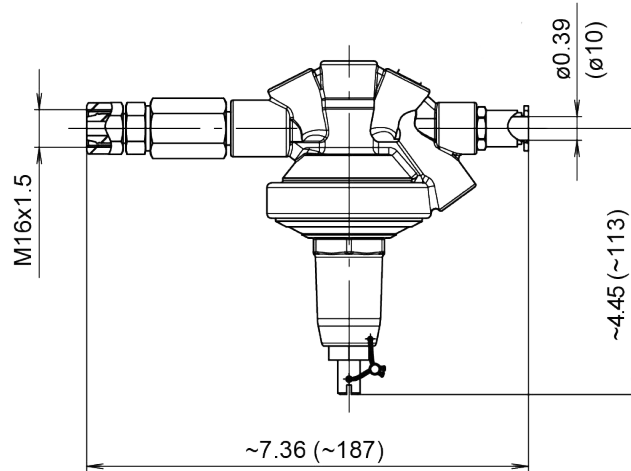
**TECHNICAL DATA**

**OXEO PRESSURE REDUCER**

The Viking Corporation | 210 N Industrial Park Drive | Hastings MI 49058  
 Viking Special Hazards | Technical Services: 877-384-5464 | Email: techsvcs@vikingcorp.com | www.vikinggroupinc.com  
 The technical data described herein is for components of the Viking Oxeo PR Fire Extinguishing Systems.  
 Visit the Viking website for the latest edition of the technical data and system manuals.

**Units**

Inches (mm)



**Figure 1: Dimensions**